



US00D591967S

(12) **United States Design Patent**  
**Bunch**

(10) **Patent No.:** **US D591,967 S**

(45) **Date of Patent:** **\*\* May 12, 2009**

(54) **LOUNGE CHAIR**

(76) Inventor: **Sherry Bunch**, 3303 Zoeller Rd., Alden,  
NY (US) 14004

(\*\*) Term: **14 Years**

(21) Appl. No.: **29/301,374**

(22) Filed: **Feb. 26, 2008**

(51) **LOC (9) Cl.** ..... **06-01**

(52) **U.S. Cl.** ..... **D6/361**

(58) **Field of Classification Search** ..... D6/348,  
D6/361, 334-336, 344, 367-368, 371-375,  
D6/379-380, 500-502; 297/452.18, 452.13,  
297/440.11, 258.1, 19, 20, 22

See application file for complete search history.

(56) **References Cited**

**U.S. PATENT DOCUMENTS**

4,141,585	A	2/1979	Blackman	
D285,630	S	9/1986	Rodriquez	
4,740,033	A	4/1988	Lee	
4,773,708	A	9/1988	Nastu	
5,350,215	A	9/1994	DeMars	
5,458,395	A	10/1995	Skarda, Jr.	
D372,843	S	8/1996	Trent et al.	
5,628,544	A	5/1997	Goodman et al.	
D389,328	S *	1/1998	Tseng	D6/361
D392,117	S	3/1998	Lee	
D405,284	S	2/1999	van den Heuvel	
D445,577	S *	7/2001	Tseng	D6/361
D450,970	S	11/2001	Self	
D456,158	S *	4/2002	Van Severen	D6/361
D490,618	S *	6/2004	Green et al.	D6/361
D503,550	S	4/2005	Miesieski et al.	

D509,079	S *	9/2005	Natuzzi	D6/361
6,942,289	B2	9/2005	McBride	
D512,230	S *	12/2005	Krake	D6/361
D518,655	S *	4/2006	Grosfillex	D6/361
D525,795	S *	8/2006	Sanford-Schwentke	D6/348
D528,314	S *	9/2006	Roani	D6/361
D539,553	S	4/2007	Jimenez	
D545,075	S *	6/2007	Hunziker	D6/361
D562,578	S *	2/2008	Weiss	D6/361
D565,852	S *	4/2008	Wang	D6/361
D579,222	S *	10/2008	Schmitt	D6/361
2004/0075315	A1	4/2004	Patrick	
2005/0200169	A1	9/2005	Tipton	
2006/0071513	A1	4/2006	Pedemonte	

\* cited by examiner

*Primary Examiner*—Caron Veynar

*Assistant Examiner*—Abraham Bahta

(74) *Attorney, Agent, or Firm*—Simpson & Simpson, PLLC

(57) **CLAIM**

The ornamental design for a lounge chair, as shown and described.

**DESCRIPTION**

FIG. 1 is a perspective view of a lounge chair of the present invention;

FIG. 2 is a top plan view of the lounge chair;

FIG. 3 is a bottom plan view of the lounge chair;

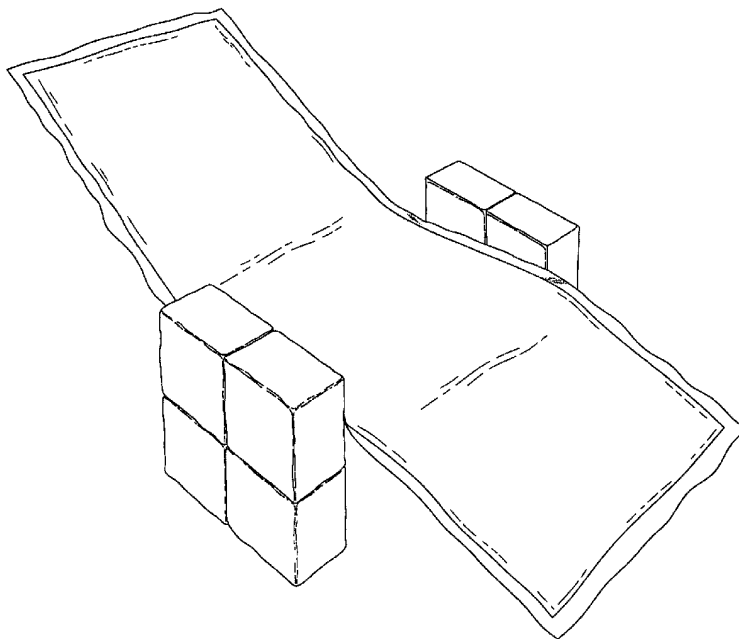
FIG. 5 is a left side elevational view of the lounge chair;

FIG. 4 is a front elevational view of the lounge chair;

FIG. 6 is a back elevational view of the lounge chair; and,

FIG. 7 is a right side elevational view of the lounge chair.

**1 Claim, 7 Drawing Sheets**



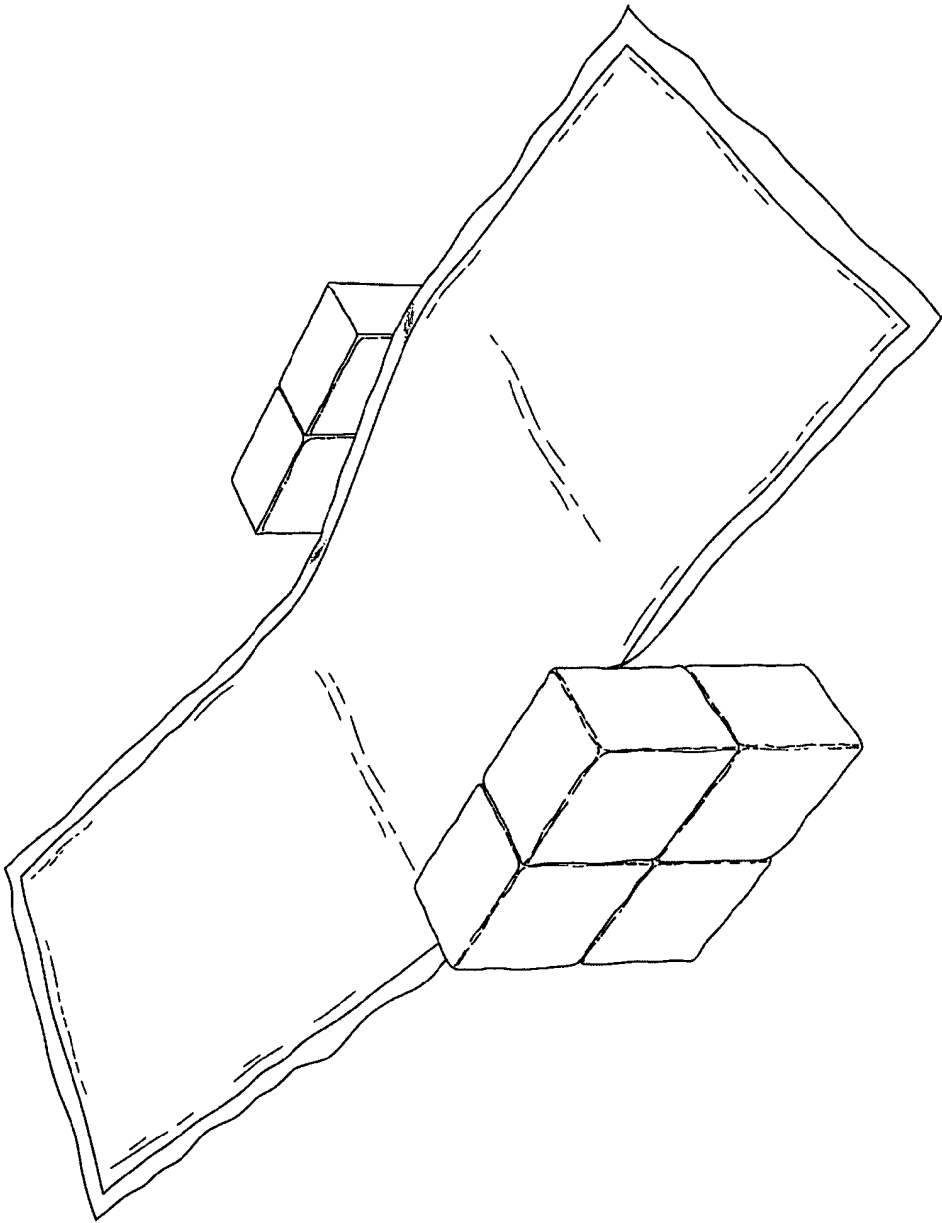


Fig. 1

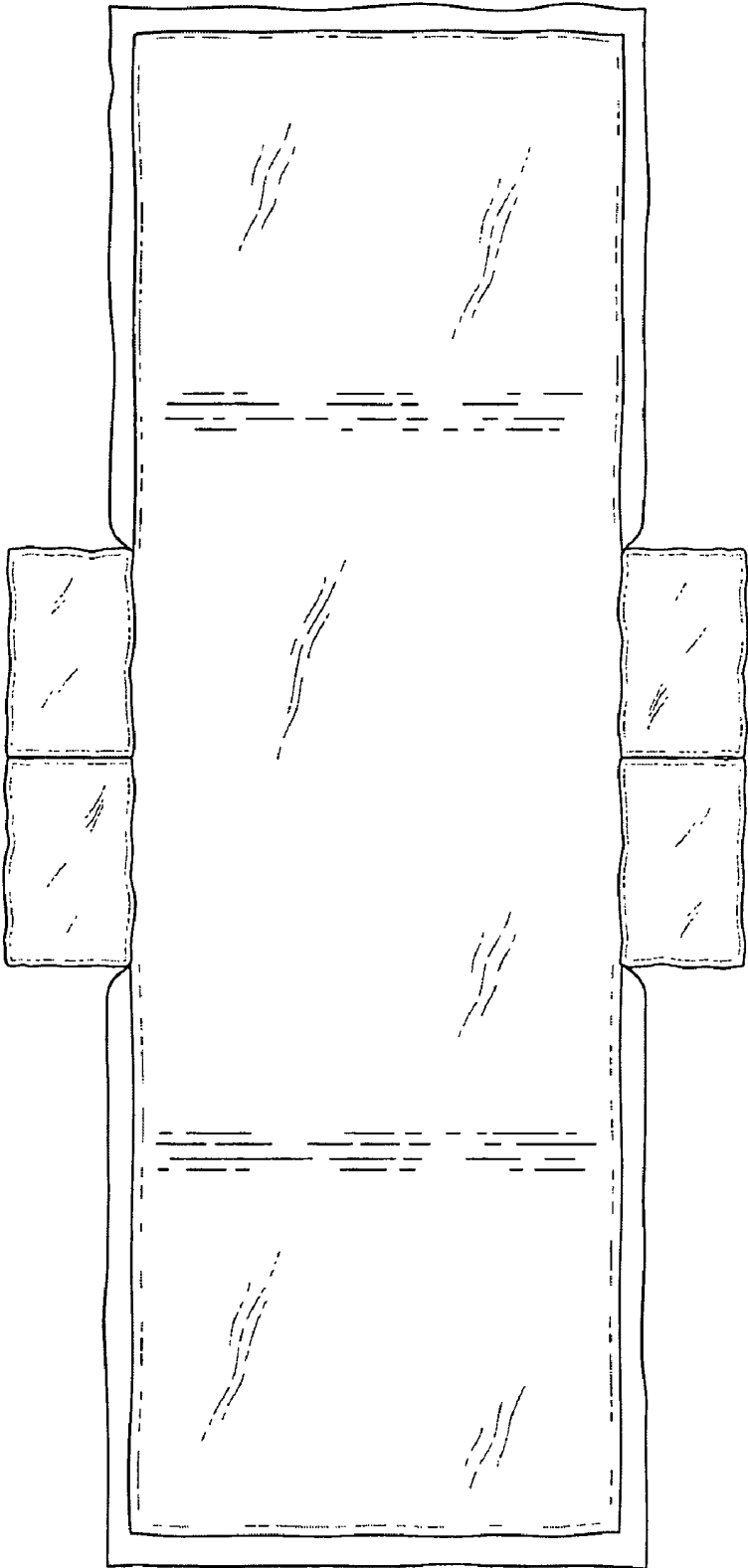


Fig. 2

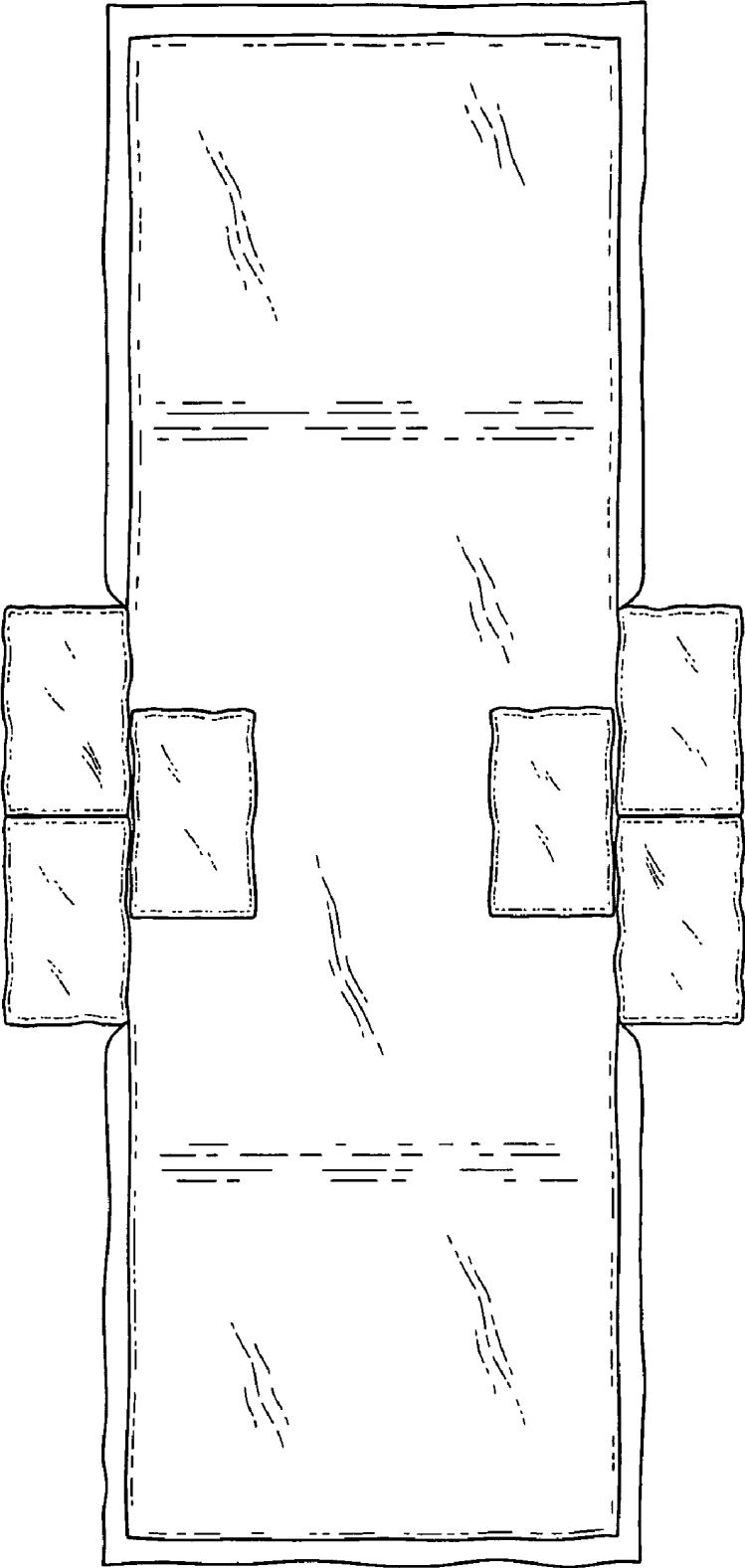


Fig. 3

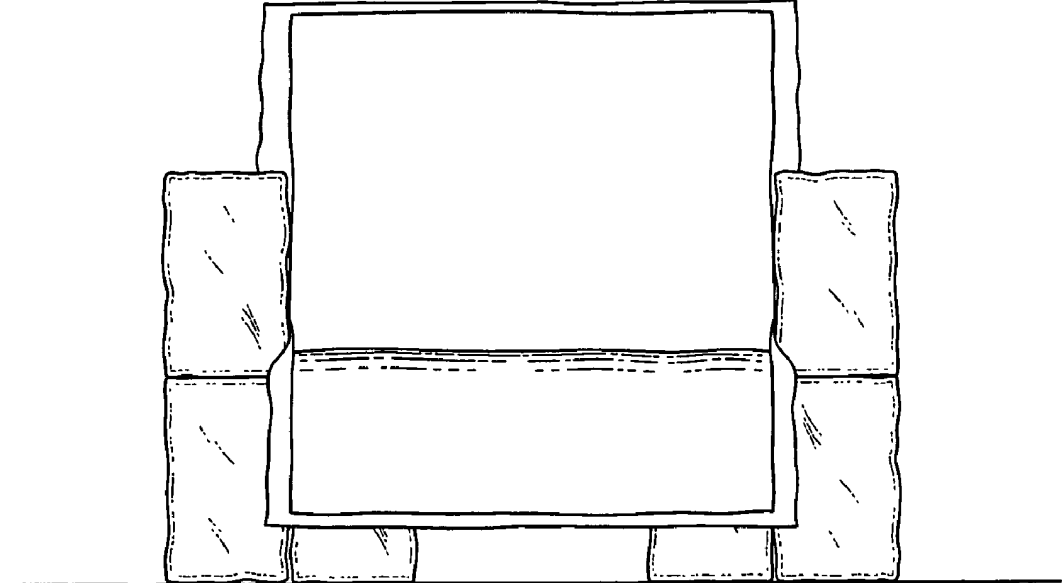


Fig. 4

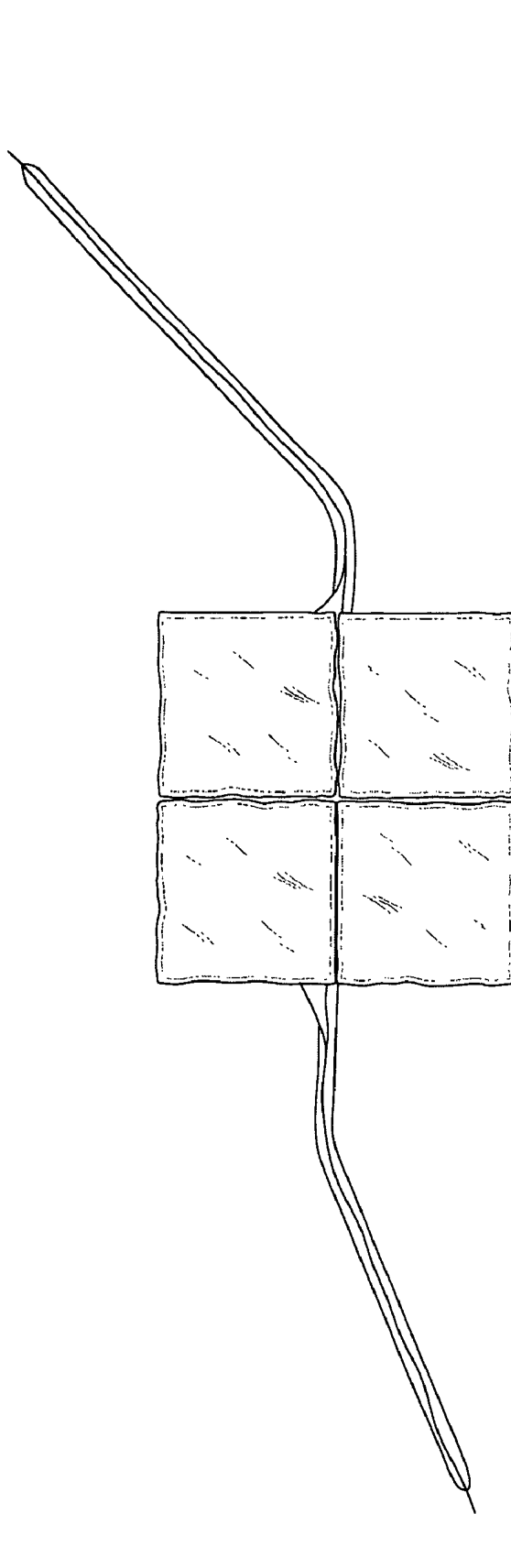


Fig. 5

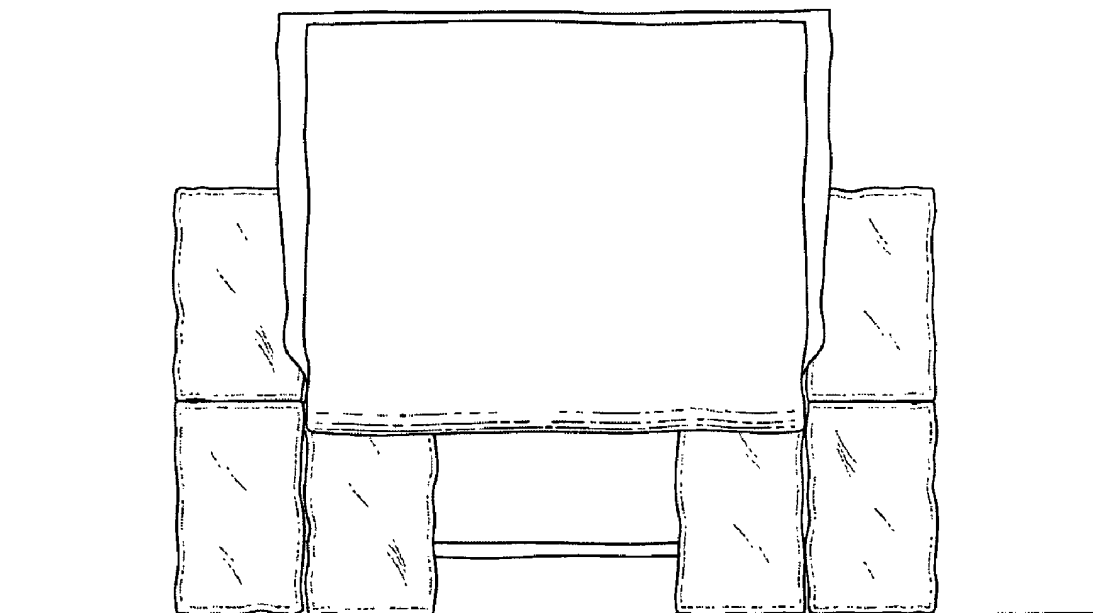


Fig. 6

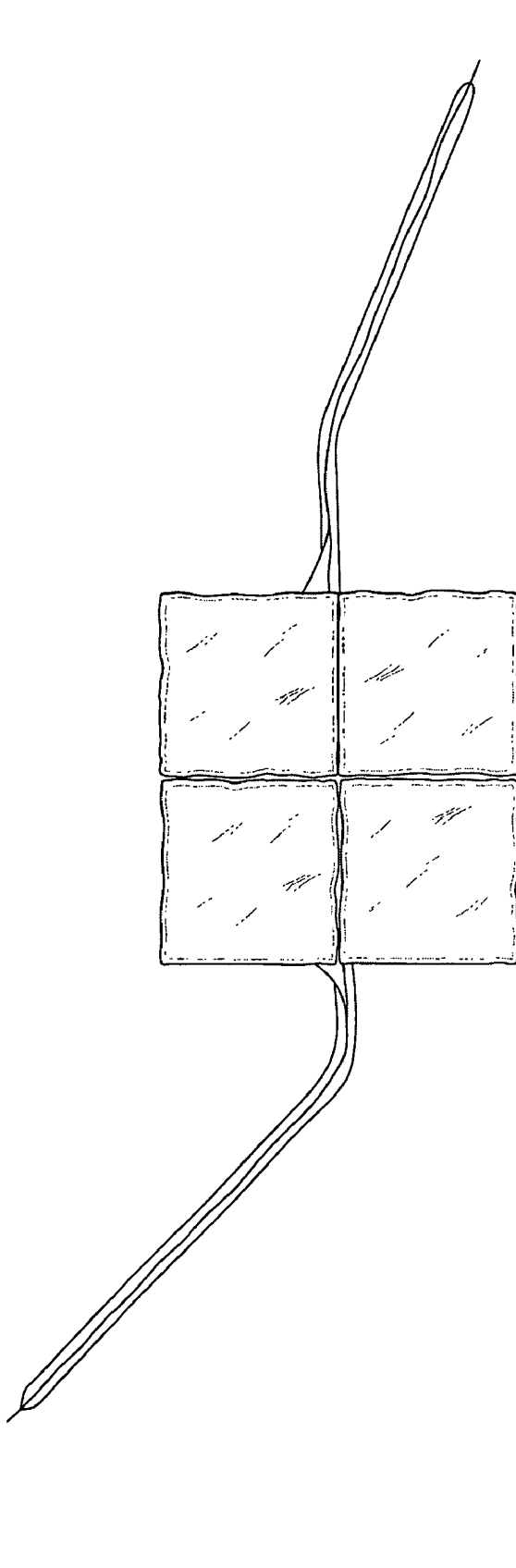


Fig. 7