



US0D1031037S

(12) **United States Design Patent** (10) **Patent No.:** **US D1,031,037 S**
El-Hosseiny (45) **Date of Patent:** **** Jun. 11, 2024**

- (54) **SAFETY LANCET**
- (71) Applicant: **Ryan El-Hosseiny**, Jupiter, FL (US)
- (72) Inventor: **Ryan El-Hosseiny**, Jupiter, FL (US)
- (73) Assignee: **Micro Lab Solutions, LLC**, Palm Beach Gardens, FL (US)

(**) Term: **15 Years**

(21) Appl. No.: **29/792,642**

(22) Filed: **Apr. 13, 2022**

(51) **LOC (14) Cl.** **24-02**

(52) **U.S. Cl.**
USPC **D24/147**

(58) **Field of Classification Search**
USPC D24/107, 108, 112, 130, 133, 146, 147,
D24/186; D15/72, 78; D28/7
(Continued)

(56) **References Cited**

U.S. PATENT DOCUMENTS

- 4,817,603 A 4/1989 Turner et al.
 - 4,889,117 A 12/1989 Stevens
- (Continued)

FOREIGN PATENT DOCUMENTS

- WO 2006045001 A2 4/2006
- WO 2011084103 A1 7/2011

OTHER PUBLICATIONS

One-Step Safety Lancets, carolina.com, customer review oldest date 2018 [online], [site visited Sep. 22, 2023], Available from internet, URL: <https://www.carolina.com/catalog/detail.jsp?prodId=700705> (Year: 2018).*

(Continued)

Primary Examiner — Samantha Q Lawrence
Assistant Examiner — Thanh Luu Wong
(74) Attorney, Agent, or Firm — Simpson & Simpson, PLLC

(57) **CLAIM**

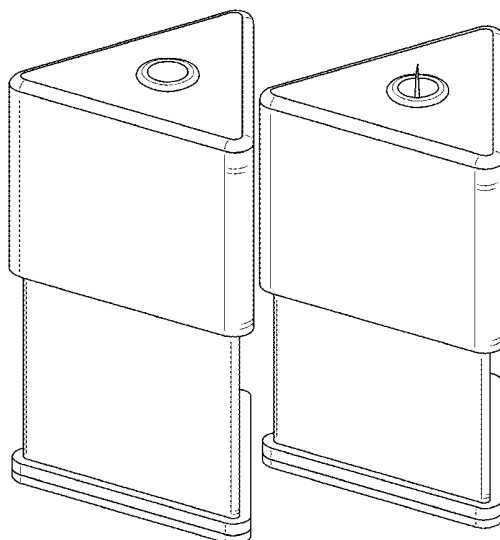
The ornamental design for a safety lancet, as shown and described.

DESCRIPTION

FIG. 1 is a front perspective view of the safety lancet of the present invention;
 FIG. 2 is a front perspective view of the safety lancet shown in FIG. 1 illustrating a cap attached thereon;
 FIG. 3 is a front elevational view of the safety lancet shown in FIG. 1;
 FIG. 4 is a rear elevational view of the safety lancet shown in FIG. 1;
 FIG. 5 is a left side elevational view of the safety lancet shown in FIG. 1;
 FIG. 6 is a right side elevational view of the safety lancet shown in FIG. 1;
 FIG. 7 is a top elevational view of the safety lancet shown in FIG. 1;
 FIG. 8 is a bottom elevational view of the safety lancet shown in FIG. 1; and,
 FIG. 9 is a front perspective view of the safety lancet shown in FIG. 1, but with the lancet exposed through the aperture of the upper body.

The drawings illustrate a safety lancet. Contour lines are included in the various views of FIGS. 1-9 to depict surface curvature, flatness, beveling, or other shapes. FIG. 2 shows the transparent cap of the present invention attached thereto. The broken lines shown in FIG. 8 illustrate portions of the present invention form no part of the claimed design. The dash-dot lines shown in FIG. 7 illustrate boundary lines, and designate therein, portions of the present invention that form no part of the claimed design.

1 Claim, 8 Drawing Sheets



(58) **Field of Classification Search**
 CPC A61M 37/0015; A61M 2037/0038; A61M
 2037/0053; A61M 2037/003; A61M
 2037/0023; A61M 2037/0061; A61M
 2207/00; A61M 2037/0046; A61N 1/328
 See application file for complete search history.

(56) **References Cited**

U.S. PATENT DOCUMENTS

4,994,068 A 2/1991 Hufnagle
 5,366,470 A 11/1994 Ramel
 5,540,709 A 7/1996 Ramel
 6,248,120 B1 6/2001 Wyszogrodzki
 6,432,120 B1 8/2002 Teo
 D498,979 S * 11/2004 Bhavnani D7/510
 6,949,111 B2 9/2005 Schraga
 D538,357 S * 3/2007 Salmon D21/505
 D628,218 S * 11/2010 Tommassini D15/138
 7,981,056 B2 7/2011 Briggs et al.
 D651,713 S 1/2012 Shi
 8,152,826 B2 4/2012 D'Agostino
 8,317,812 B2 11/2012 Lum
 8,333,781 B2 12/2012 Karbowiczek et al.
 8,882,794 B2 11/2014 Lum

8,998,942 B2 4/2015 Karbowiczek et al.
 D742,257 S * 11/2015 Thompson D10/46.2
 D749,724 S * 2/2016 Shi D24/130
 D811,169 S * 2/2018 Yao D7/532
 9,993,184 B2 6/2018 Karbowiczek et al.
 10,244,974 B2 4/2019 Garg
 10,849,534 B2 12/2020 Karbowiczek et al.
 D921,194 S * 6/2021 Fugo D24/130
 D959,279 S * 8/2022 Edery D9/687
 D996,918 S * 8/2023 Kirchick D7/629
 2002/0107127 A1 * 8/2002 Buisson B65D 85/36
 493/80
 2021/0212436 A1 * 7/2021 Pae A61K 8/9789

OTHER PUBLICATIONS

Medipurpose Safety Lancet Surgilance Fixed Depth Lancet, bettymills.com, [online], [site visited Sep. 22, 2023], Available from internet, URL: <https://www.bettymills.com/safety-lancet-surgilance-100-bx-slb200> (Year: 2023).*

FORA Sterile Safety Lancet, fora-shop.com, [online], [site visited Sep. 22, 2023], Available from internet, URL: <https://www.fora-shop.com/products/fora-sterile-safety-lancet-1-6mm-depth-30-gauge-100-count-lancing-device-not-required> (Year: 2023).*

* cited by examiner

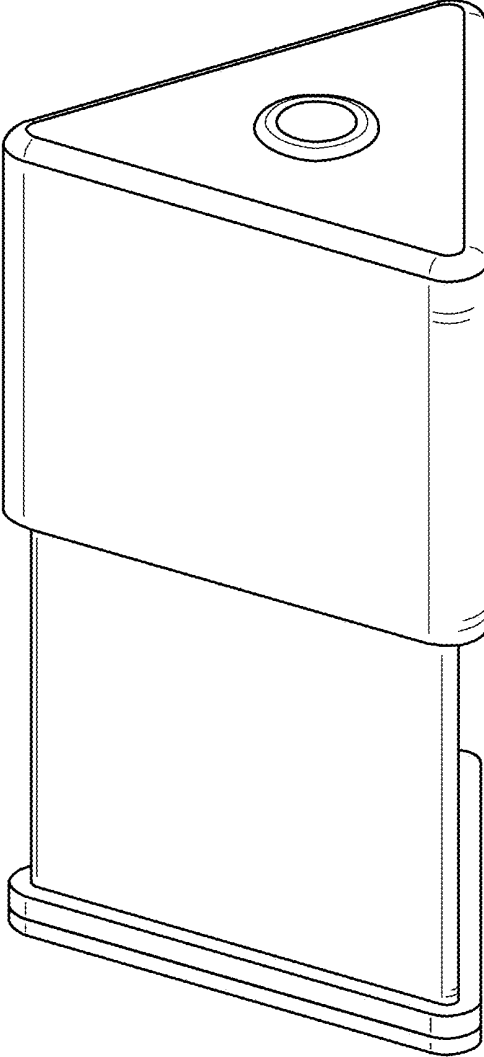


FIG. 1

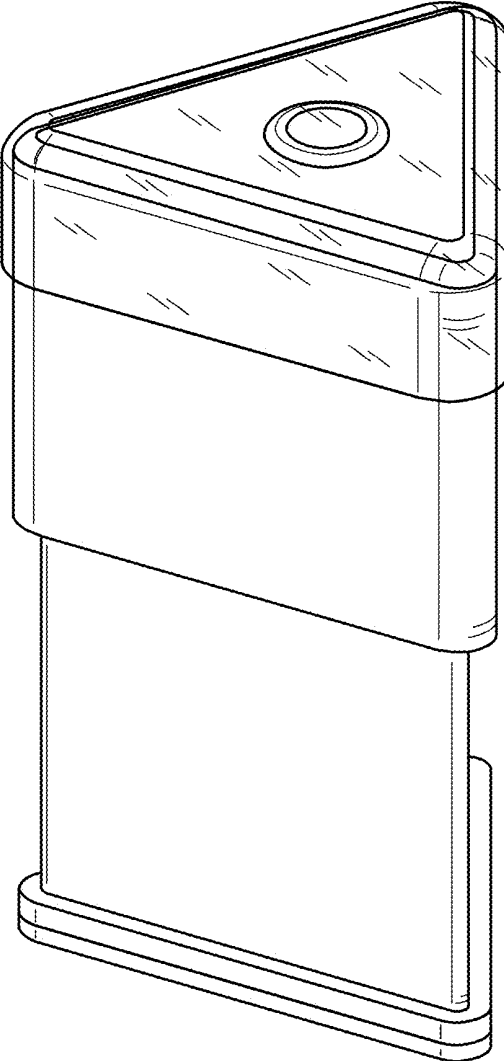


FIG. 2

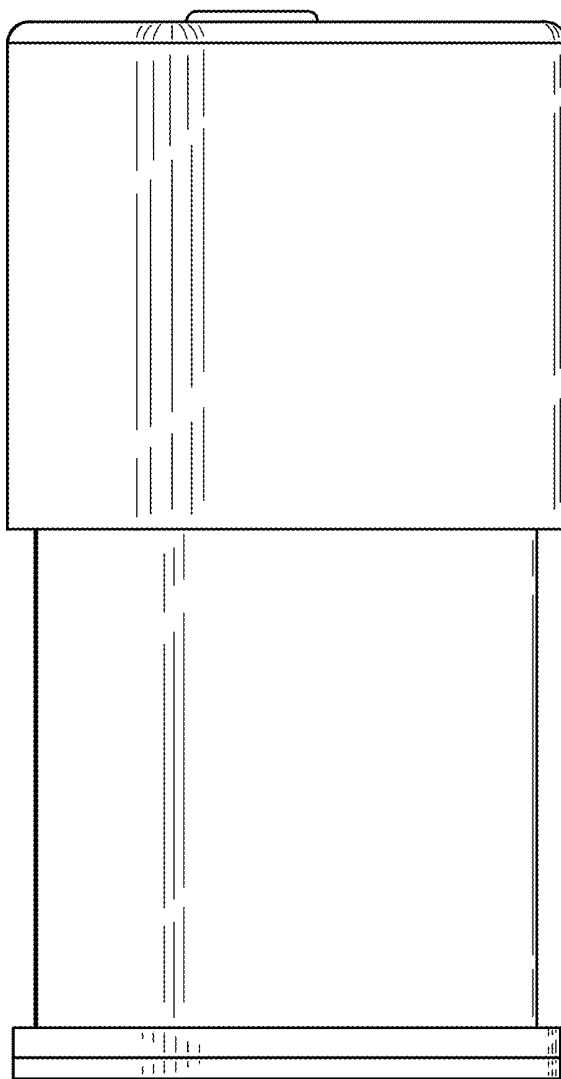


FIG. 3

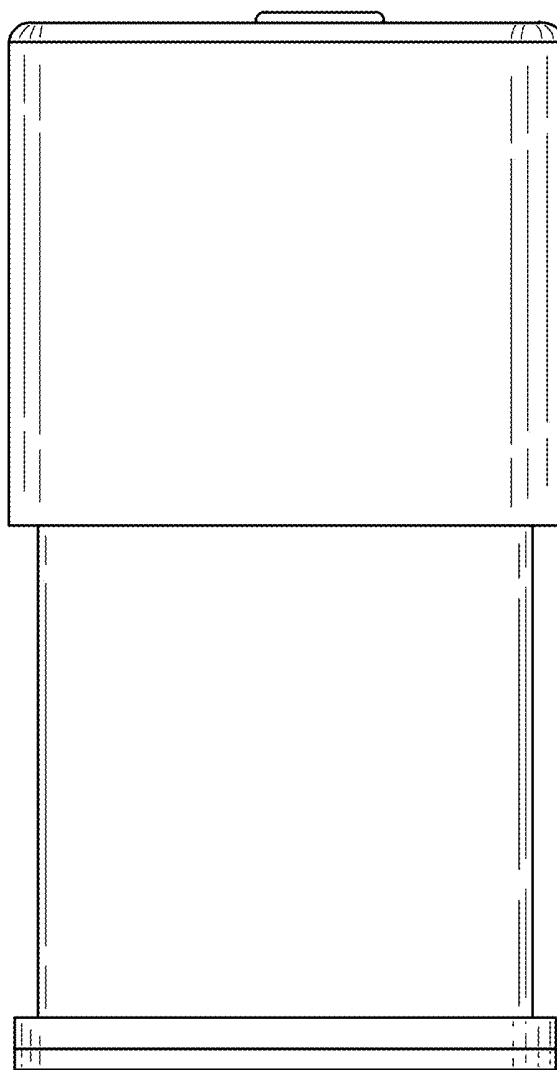


FIG. 4

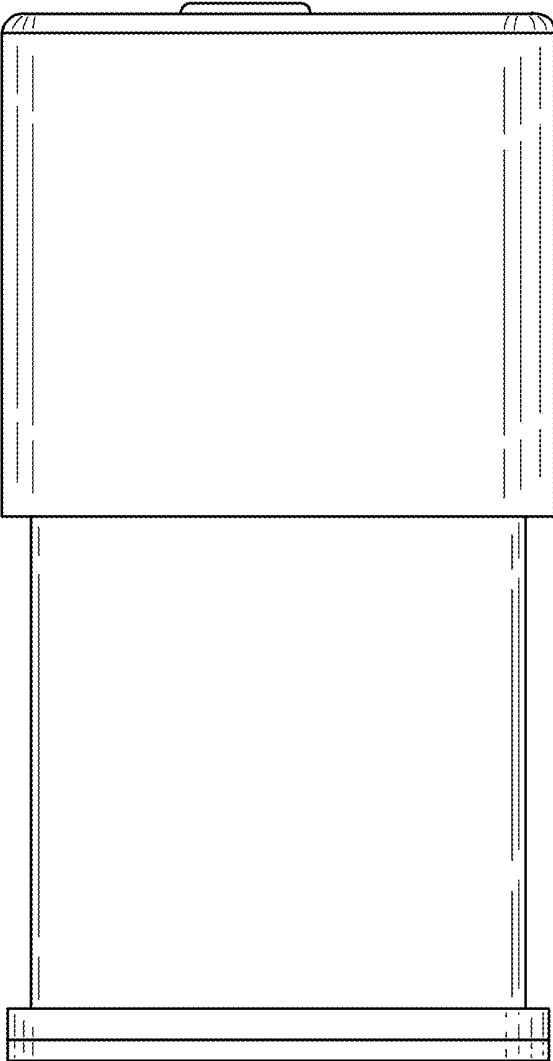


FIG. 5

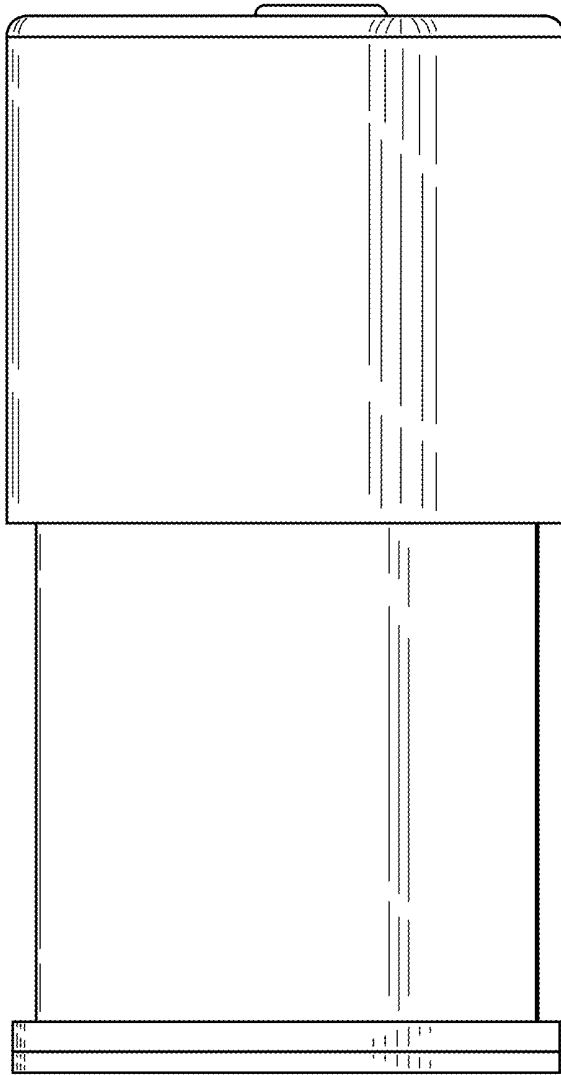


FIG. 6

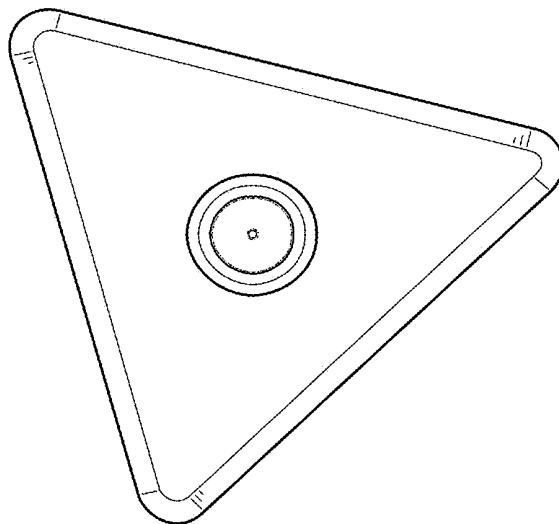


FIG. 7

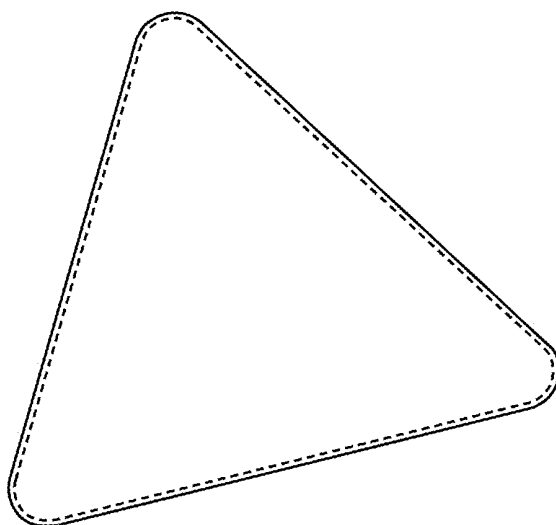


FIG. 8

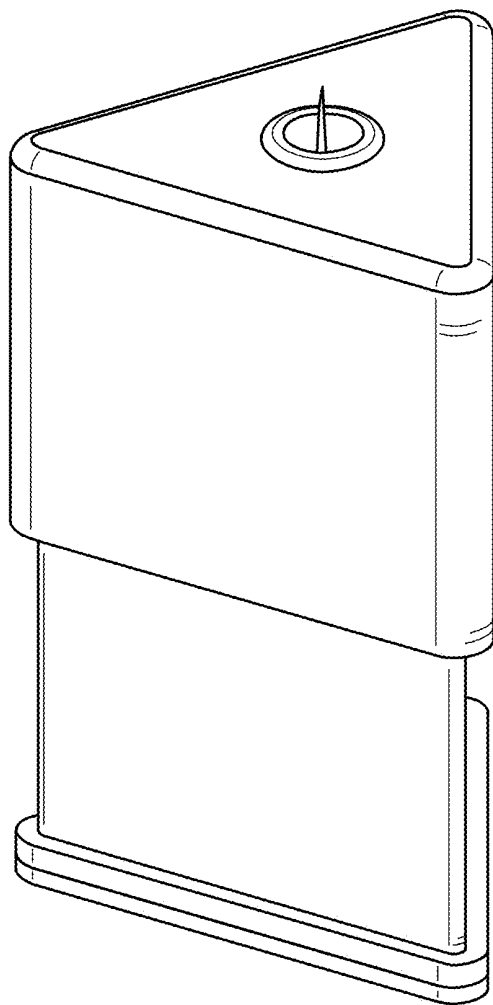


FIG. 9