



US0D1070578S

(12) **United States Design Patent** (10) **Patent No.: US D1,070,578 S**
Park et al. (45) **Date of Patent: ** Apr. 15, 2025**

(54) **BRACKET AND ROD ASSEMBLY**
(71) Applicant: **Umbra LLC**, Buffalo, NY (US)
(72) Inventors: **Sung Wook Park**, Toronto (CA);
Matthew J. Carr, Toronto (CA)
(73) Assignee: **Umbra LLC**, Buffalo, NY (US)
(**) Term: **15 Years**
(21) Appl. No.: **29/872,085**

(74) *Attorney, Agent, or Firm* — Simpson & Simpson, PLLC

(22) Filed: **Mar. 6, 2023**
(51) **LOC (15) Cl.** **08-11**
(52) **U.S. Cl.**
USPC **D8/363**
(58) **Field of Classification Search**
USPC D6/546, 549, 580; D8/303, 315, 316,
D8/319, 320, 349, 354, 355, 356, 363,
(Continued)

(57) **CLAIM**

The ornamental design for a bracket and rod assembly as shown and described.

DESCRIPTION

FIG. 1 is a front perspective view of the bracket and rod assembly of the present invention;
FIG. 2 is a front elevational view of the bracket and rod assembly shown in FIG. 1;
FIG. 3 is a rear elevational view of the bracket and rod assembly shown in FIG. 1;
FIG. 4 is a left side elevational view of the bracket and rod assembly shown in FIG. 1;
FIG. 5 is a right side elevational view of the bracket and rod assembly shown in FIG. 1;
FIG. 6 is a top view of the bracket and rod assembly shown in FIG. 1;
FIG. 7 is a bottom view of the bracket and rod assembly shown in FIG. 1;
FIG. 8 is a front perspective view of the bracket of the bracket and rod assembly shown in FIG. 1;
FIG. 9 is a front elevational view of the bracket shown in FIG. 8;
FIG. 10 is a rear elevational view of the bracket shown in FIG. 8;
FIG. 11 is a left side elevational view of the bracket shown in FIG. 8;
FIG. 12 is a right side elevational view of the bracket shown in FIG. 8;
FIG. 13 is a top view of the bracket shown in FIG. 8; and
FIG. 14 is a bottom view of the bracket shown in FIG. 8.
The drawings illustrate a bracket and rod assembly and the bracket of the assembly, as shown in the drawings. Contour lines are included in the various views of FIGS. 1 through 14 to depict surface curvature, flatness and/or other shapes.

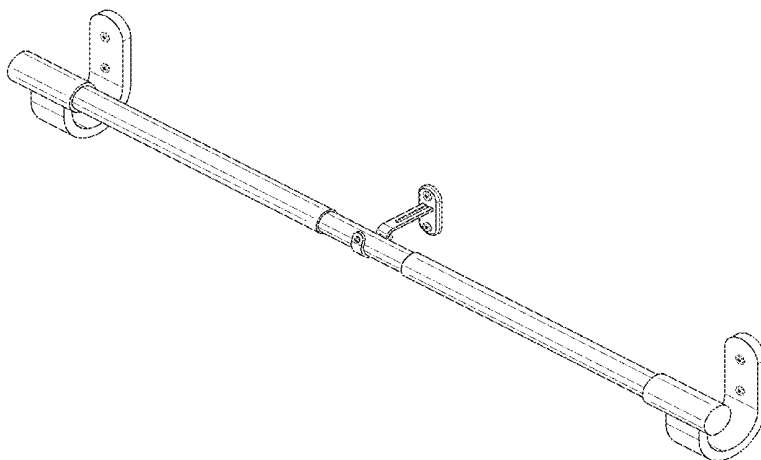
(56) **References Cited**
U.S. PATENT DOCUMENTS
2,295,676 A * 9/1942 Meyer A47B 96/061
248/536
2,903,223 A * 9/1959 De Gray E04F 11/181
248/219.3
(Continued)

FOREIGN PATENT DOCUMENTS
KR 301155574.0000 * 3/2022

OTHER PUBLICATIONS
"Urbanest Adjustable Solid Zinc Curtain Rod Bracket Wall Holder"
Oct. 27, 2016, Amazon, site visited Sep. 20, 2024: <https://www.amazon.com/Urbanest-Curtain-Drapery-Adjustable-Bracket/dp/B01M4P2EZZ> (Year: 2016).
(Continued)

Primary Examiner — Jack Reickel
Assistant Examiner — Sydney M Evans

(Continued)



Illustrative portions that are depicted in broken lines, are shown to put the present invention into context, and form no part of the claimed design.

1 Claim, 8 Drawing Sheets

(58) **Field of Classification Search**

USPC D8/373, 376, 380; D25/38.1, 41.1, 119, D25/121
 CPC A47B 96/061; A47B 96/068; A47H 1/022; A47H 1/102; A47H 1/122; A47H 1/142; A47H 19/00; A47G 1/20; A47K 3/38; B60Q 3/64; B60Q 3/68; B60Q 3/267; E04F 11/1804; E04H 17/1413; E04H 17/1417; E04H 17/1488; F16B 45/00; F16L 3/12

See application file for complete search history.

(56) **References Cited**

U.S. PATENT DOCUMENTS

D242,986 S * 1/1977 Inglis D8/363
 D300,803 S * 4/1989 Whitley, II D8/363
 4,895,332 A * 1/1990 Hansen A47K 3/003
 248/251
 D356,725 S * 3/1995 McMichael D8/368
 D389,035 S * 1/1998 Smiley D8/363
 5,779,228 A * 7/1998 Hansen B60Q 3/44
 256/65.05
 D412,827 S * 8/1999 Bredemeier D8/363
 D433,619 S * 11/2000 Rowan D8/363
 D435,783 S * 1/2001 Kerr D8/363
 D443,503 S * 6/2001 Harvey D8/367

D644,918 S * 9/2011 Rowan D8/363
 D646,957 S * 10/2011 Syed D8/363
 D669,340 S * 10/2012 Dotsey D8/354
 D735,554 S * 8/2015 Solberg D8/349
 D779,311 S * 2/2017 Honein D8/363
 D781,688 S * 3/2017 Honein D8/363
 D813,022 S * 3/2018 Hanley F16B 45/00
 D8/380
 D1,008,789 S * 12/2023 Knight D8/367
 D1,013,492 S * 2/2024 Yoon D8/367
 D1,018,899 S * 3/2024 Xu D8/363
 D1,023,733 S * 4/2024 Ruan D8/376
 2009/0032659 A1 * 2/2009 Goldstein A47H 13/01
 248/220.21
 2012/0024809 A1 * 2/2012 Rowan A47H 13/00
 211/124
 2012/0217362 A1 * 8/2012 Affonso A47H 1/142
 248/222.14

OTHER PUBLICATIONS

“Kirsch Wood Trends Classics Return Bracket” May 24, 2016, Amazon, site visited Sep. 24, 2024: <https://www.amazon.com/Kirsch-Classics-Bracket-Unfinished-5503EG091/dp/B01G40N19Q> (Year: 2016).
 “Waveply Wood Curtain Holdbacks” Oct. 21, 2020, Amazon, site visited Sep. 24, 2024: <https://www.amazon.com/dp/B08LLB9W2> (Year: 2020).
 “Black Curtain Rods for Windows” Dec. 15, 2022, Amazon, site visited Sep. 20, 2024: <https://www.amazon.com/dp/B0BK59M6D9> (Year: 2022).
 “Bellwood Curtain Rod” Dec. 2, 2023, Umbra, site visited Sep. 20, 2024: <https://www.umbra.com/collections/all-window/products/bellwood-curtain-rod> (Year: 2023).
 * cited by examiner

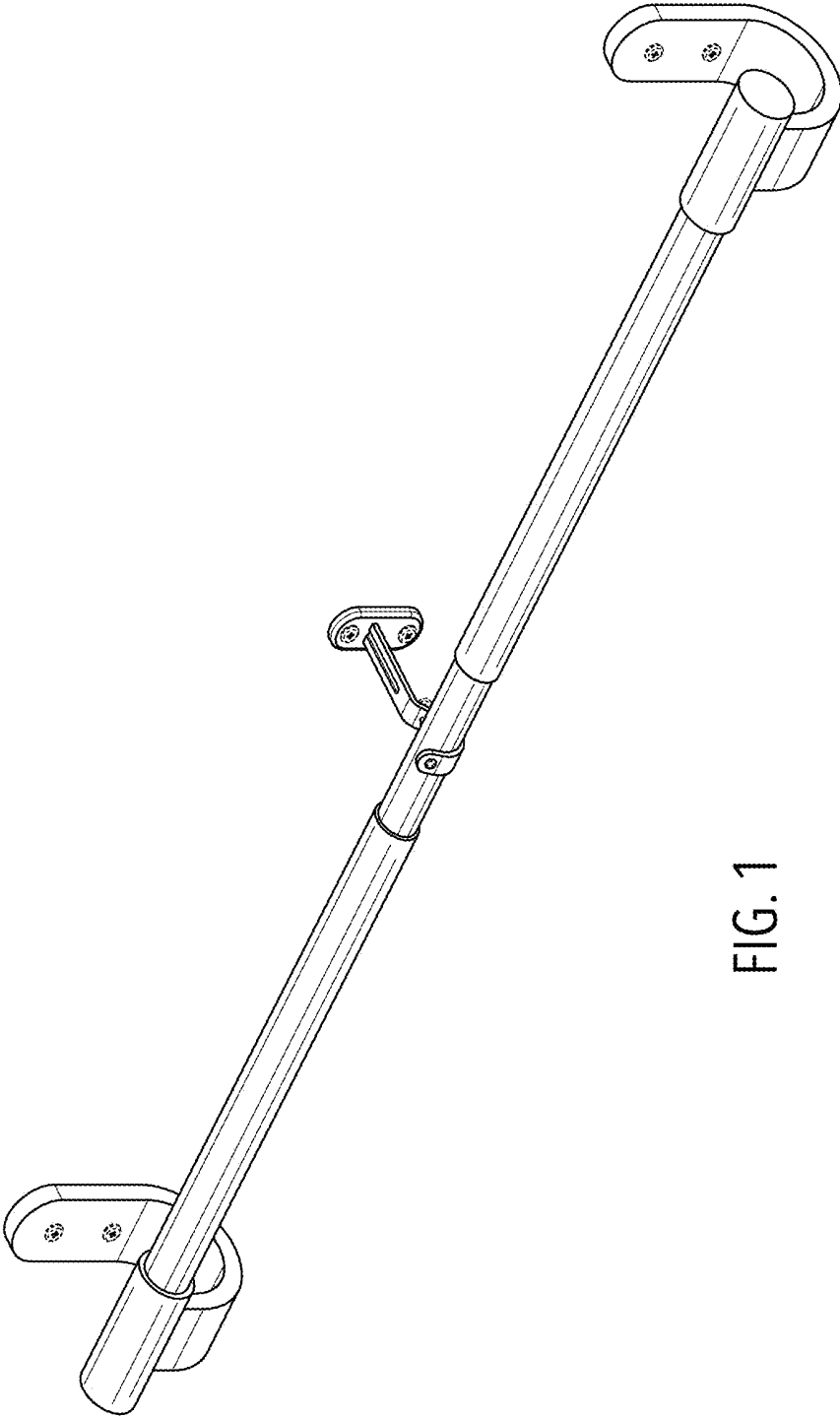


FIG. 1

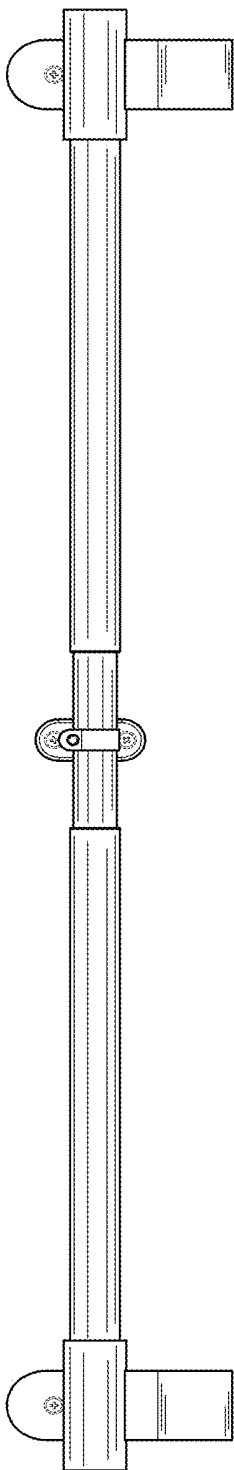


FIG. 2

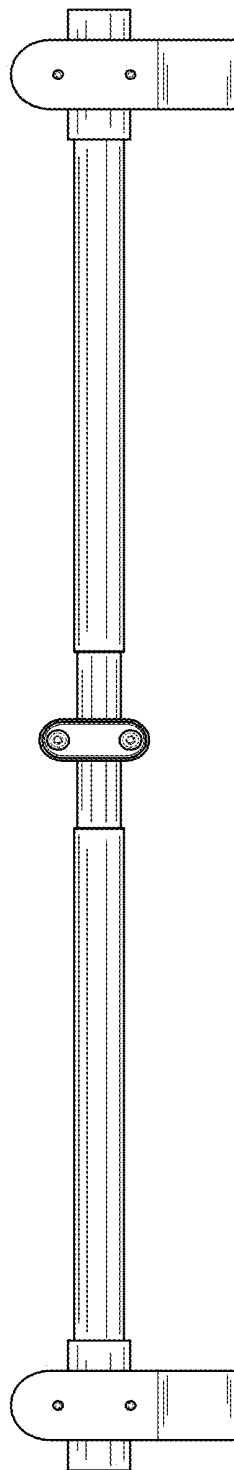


FIG. 3

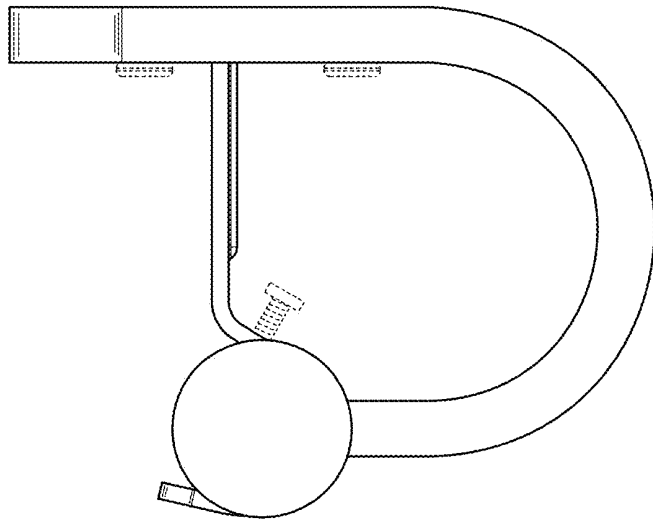


FIG. 5

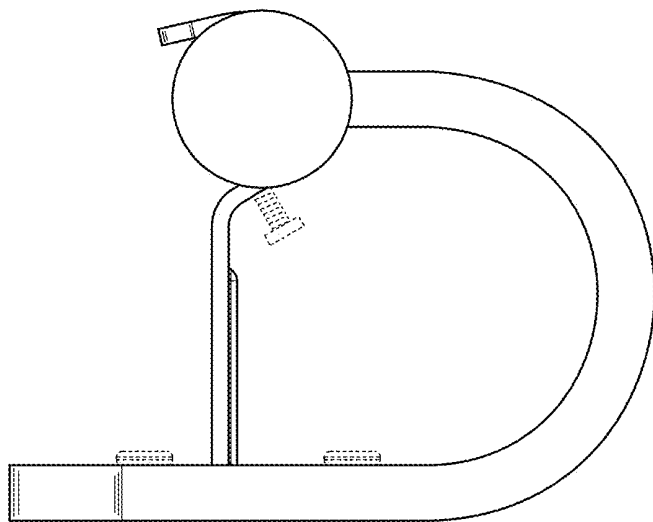


FIG. 4

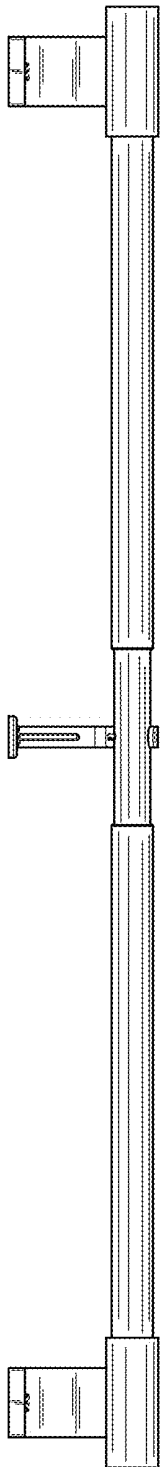


FIG. 6

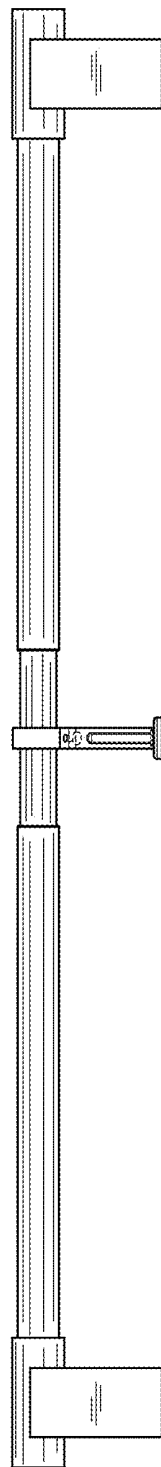


FIG. 7

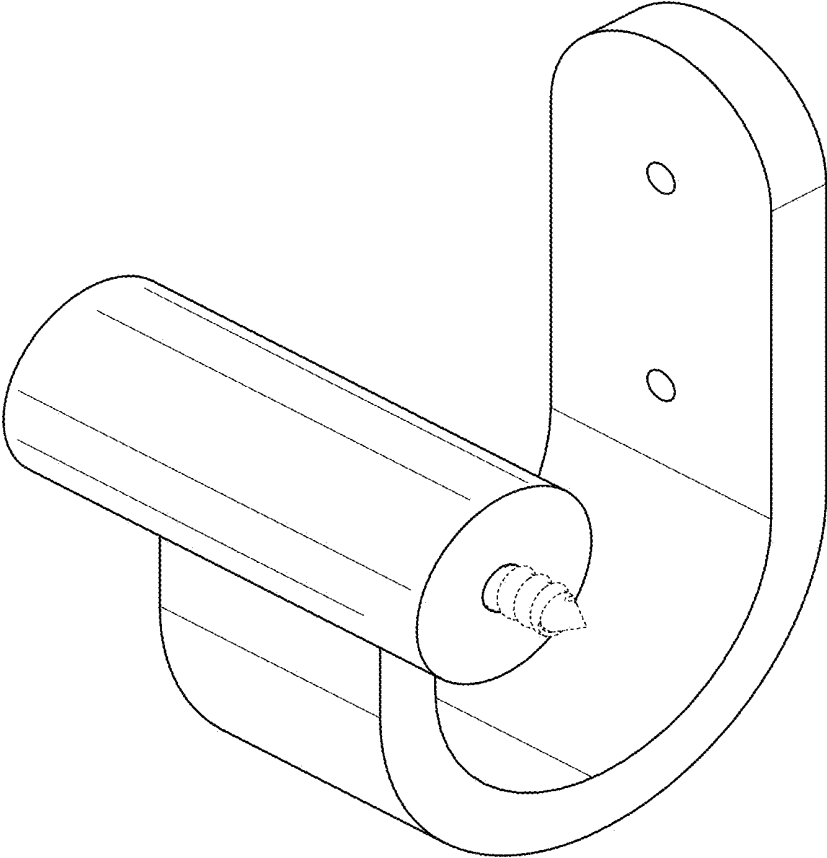


FIG. 8

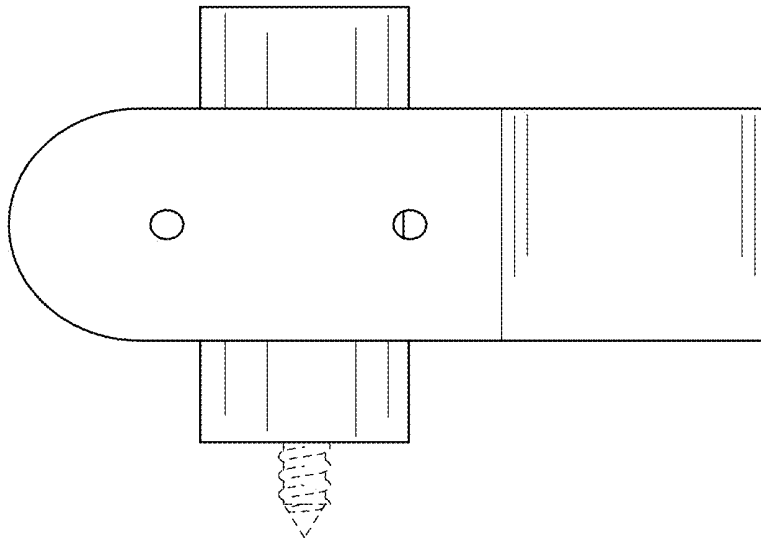


FIG. 10

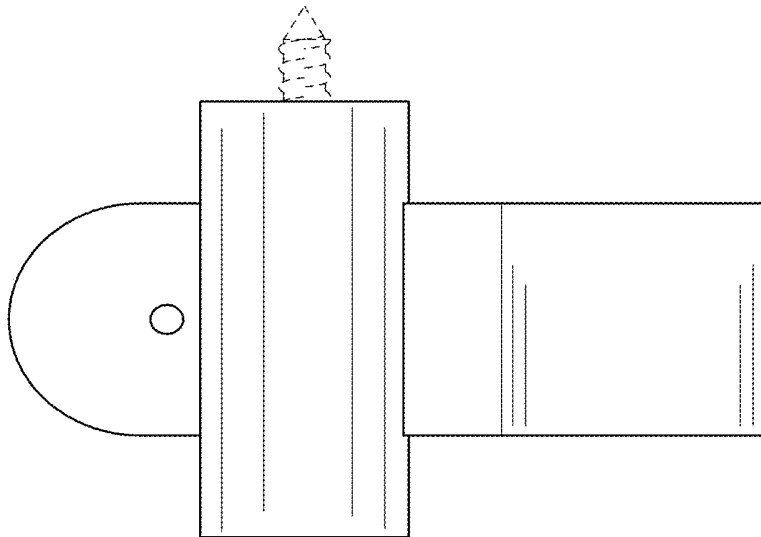


FIG. 9

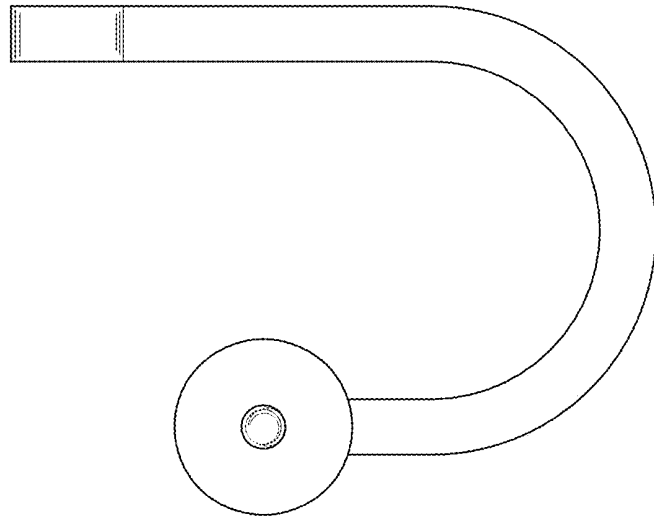


FIG. 12

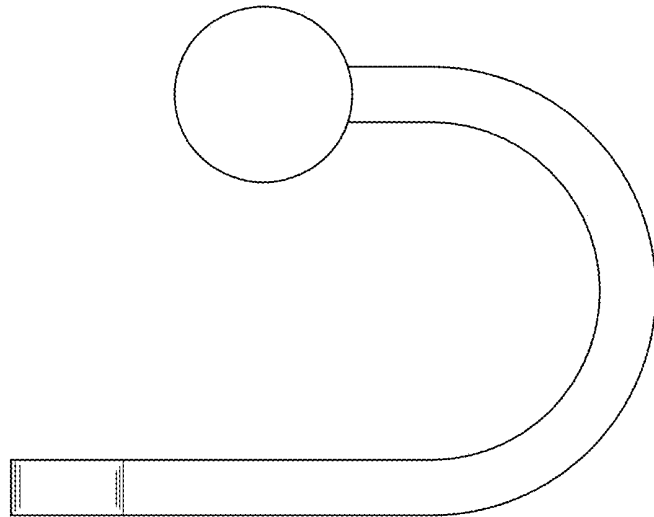


FIG. 11

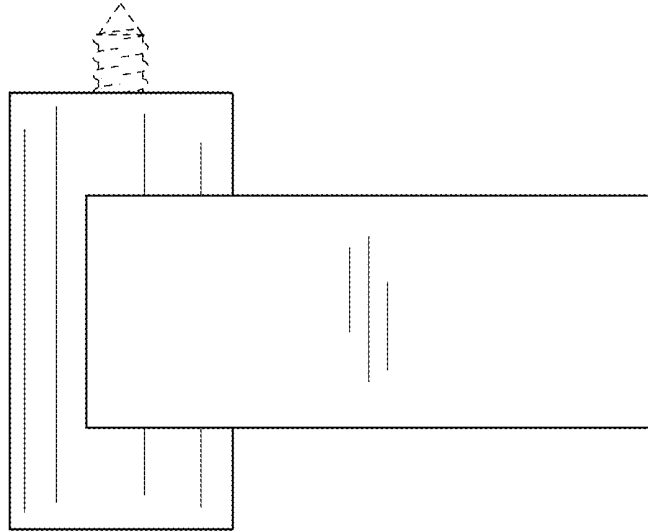


FIG. 14

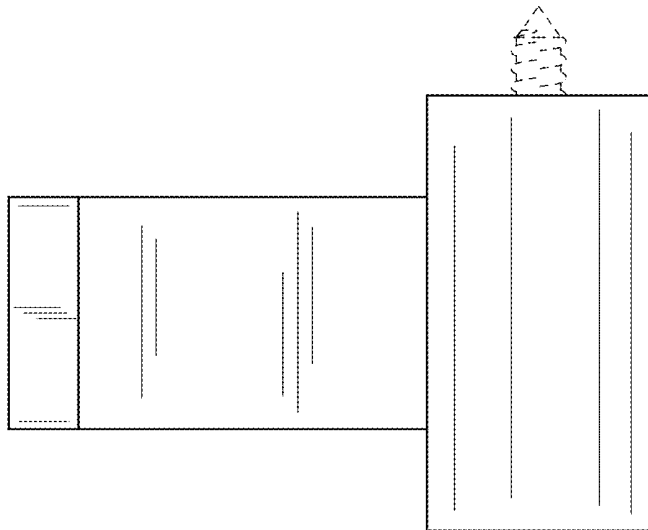


FIG. 13