



US0D1129147S

(12) **United States Design Patent** (10) **Patent No.: US D1,129,147 S**  
**Park** (45) **Date of Patent: \*\* Jun. 9, 2026**

- (54) **SINK CADDY WITH PUMP**
- (71) Applicant: **Umbra LLC**, Buffalo, NY (US)
- (72) Inventor: **Sung Wook Park**, Toronto (CA)
- (73) Assignee: **UMBRA LLC**, Buffalo, NY (US)
- (\*\*) Term: **15 Years**

- (21) Appl. No.: **29/911,382**
- (22) Filed: **Sep. 1, 2023**
- (51) **LOC (15) Cl.** ..... **23-08**
- (52) **U.S. Cl.**  
USPC ..... **D6/530**
- (58) **Field of Classification Search**  
USPC ..... D6/530, 524, 525, 536, 540, 553, 566;  
D3/315; D32/55  
CPC ..... A47J 47/16; A47J 47/20; A47B 57/265;  
A47B 57/565; A47B 57/26; B23P 17/04;  
(Continued)

- (56) **References Cited**  
U.S. PATENT DOCUMENTS  
D796,226 S \* 9/2017 Joseph ..... D6/530  
D811,768 S \* 3/2018 Snell ..... D7/637  
D1,041,898 S \* 9/2024 Park ..... D3/310

- FOREIGN PATENT DOCUMENTS  
BR 30 2018 0034880 \* 9/2018  
CN 202430610550 \* 4/2025

**OTHER PUBLICATIONS**  
Sling Sink Caddy, posted unknown [online], [retrieved Sep. 10, 2025]. Retrieved from internet, <https://www.umbra.com/collections/sung-wook-park/products/sling-sink-caddy-with-pump> (Year: 2025).\*

(Continued)

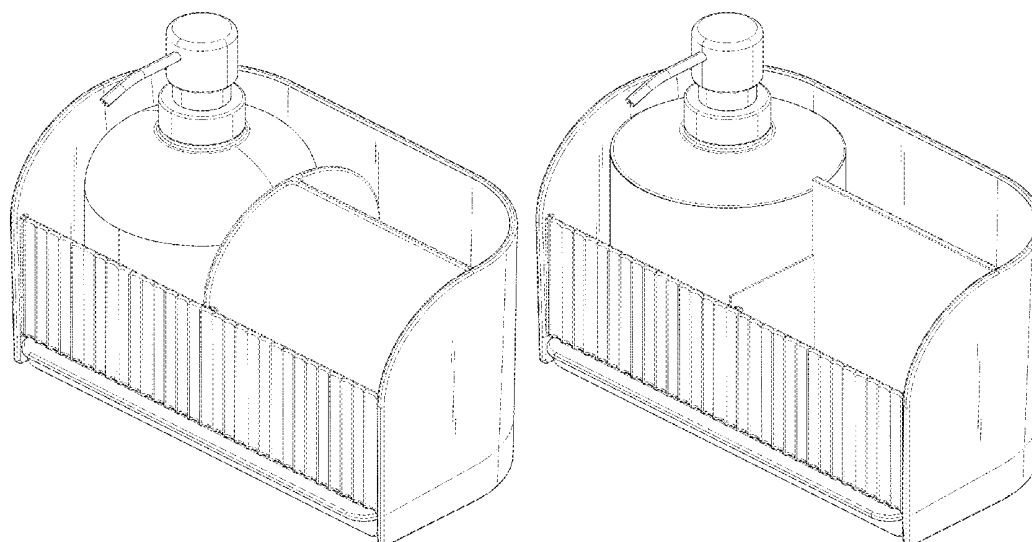
*Primary Examiner* — George A Bugg  
*Assistant Examiner* — Jeremy S. Swartz  
(74) *Attorney, Agent, or Firm* — Simpson & Simpson, PLLC

(57) **CLAIM**  
The ornamental design for a sink caddy with pump as shown and described.

**DESCRIPTION**

FIG. 1 is a front perspective view of the sink caddy with pump of the present invention;  
FIG. 2 is a front elevational view of the invention shown in FIG. 1;  
FIG. 3 is a rear elevational view of the invention shown in FIG. 1;  
FIG. 4 is a left-side elevational view of the invention shown in FIG. 1;  
FIG. 5 is a right-side elevational view of the invention shown in FIG. 1;  
FIG. 6 is a top view of the invention shown in FIG. 1;  
FIG. 7 is a bottom view of the invention shown in FIG. 1;  
FIG. 8 is a front perspective view of an alternative embodiment of the invention shown in FIG. 1;  
FIG. 9 is a front elevational view of the invention shown in FIG. 8;  
FIG. 10 is a rear elevational view of the invention shown in FIG. 8;  
FIG. 11 is a left-side elevational view of the invention shown in FIG. 8;  
FIG. 12 is a right-side elevational view of the invention shown in FIG. 8;  
FIG. 13 is a top view of the invention shown in FIG. 8; and  
FIG. 14 is a bottom view of the invention shown in FIG. 8.  
The drawings illustrate a sink caddy with pump, as shown in the drawings. Contour lines are included in the various views of FIGS. 1 through 14 to depict surface curvature, flatness and/or other shapes.

**1 Claim, 12 Drawing Sheets**



(58) **Field of Classification Search**

CPC ..... A47K 5/00; A47K 3/281; A47K 3/001;  
A47K 17/00

See application file for complete search history.

(56) **References Cited**

OTHER PUBLICATIONS

Umbra Sling Sponge Holder Sink Caddy, posted Sep. 5, 2023  
[online], [retrieved Sep. 10, 2025]. Retrieved from internet, <https://www.amazon.com/Umbra-Sling-Sink-Caddy-Soap/dp/B0CH9JDWJX> (Year: 2023).\*

Shinowa Soap Dispenser with Sponge Holder, posted Aug. 21, 2024  
[online], [retrieved Sep. 10, 2025]. Retrieved from internet, <https://www.amazon.ca/Shinowa-Dispenser-Countertop-Organizer-Bathroom/dp/B0DDT83TN3?th=1> (Year: 2024).\*

\* cited by examiner

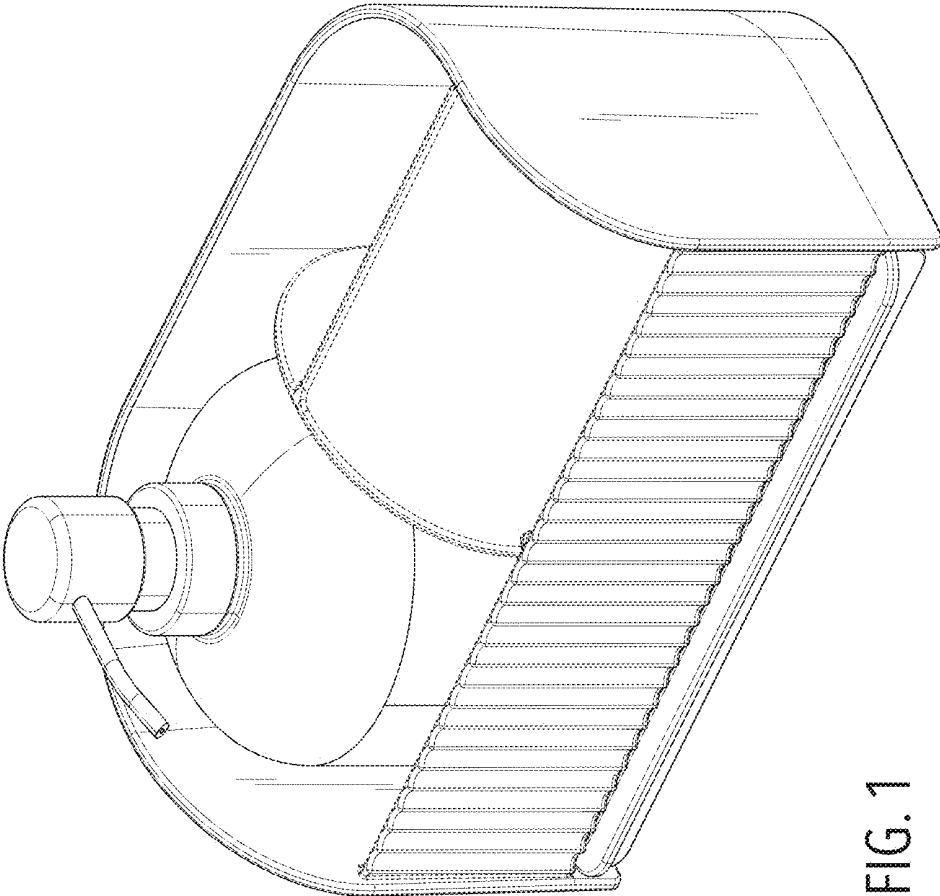


FIG. 1

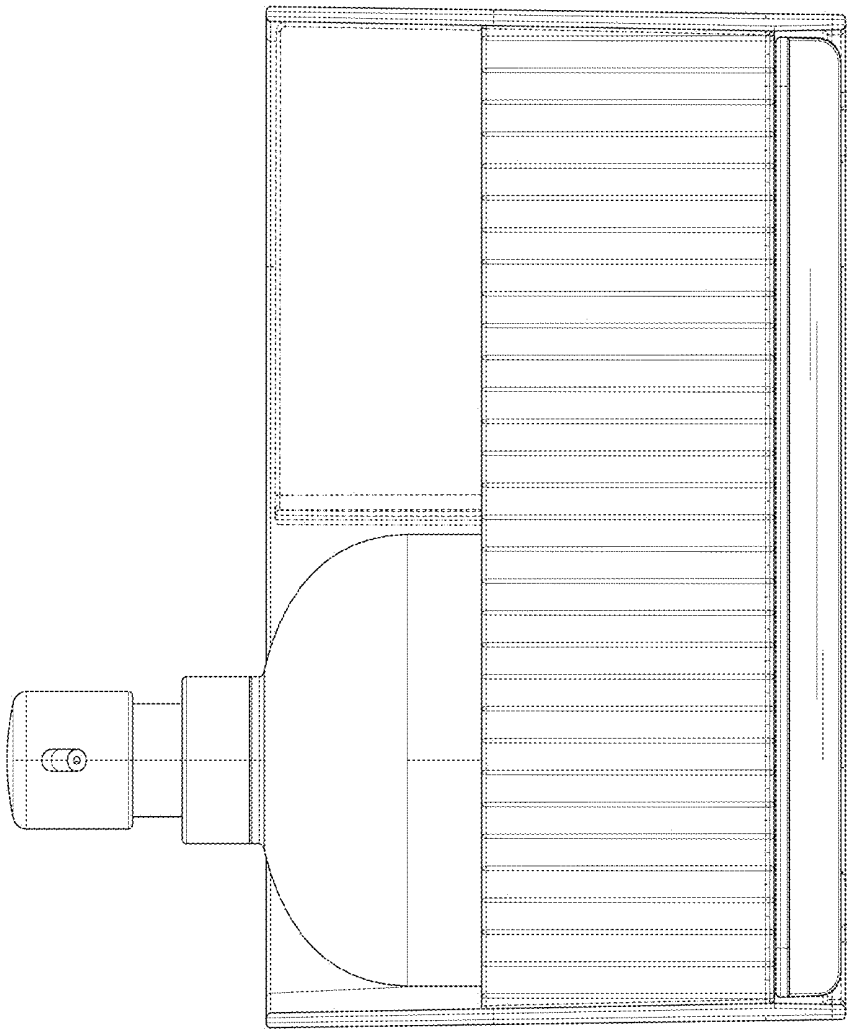


FIG. 2

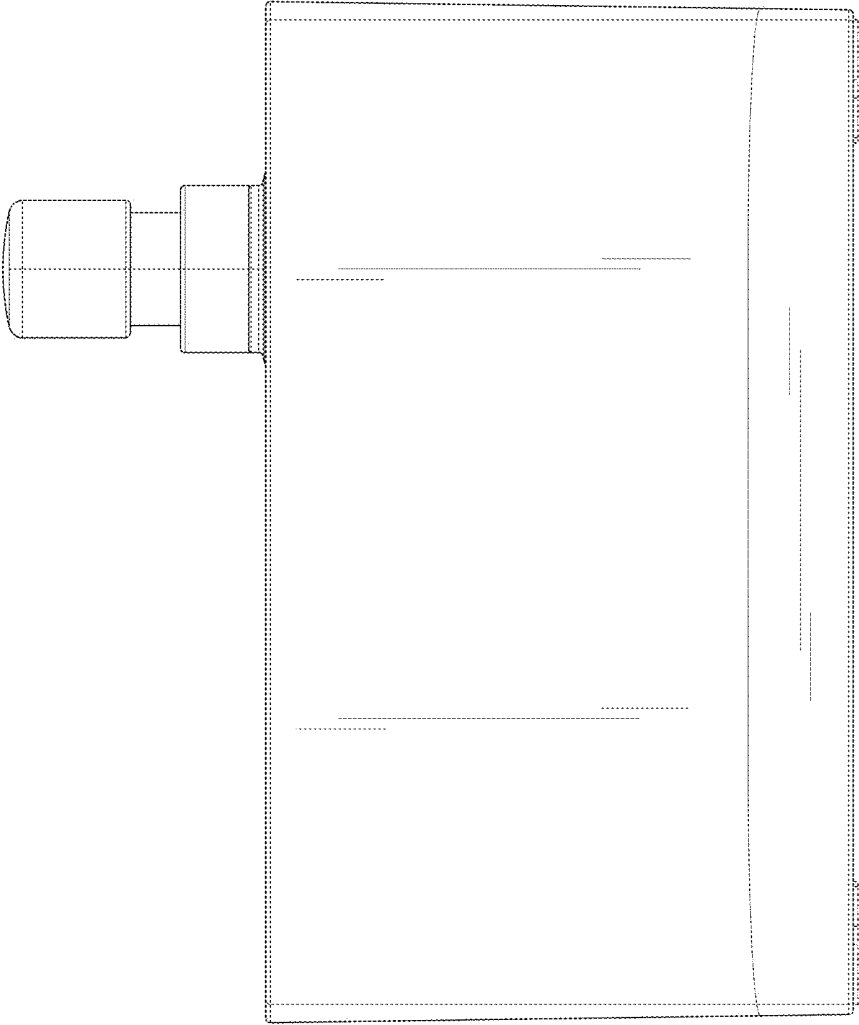


FIG. 3

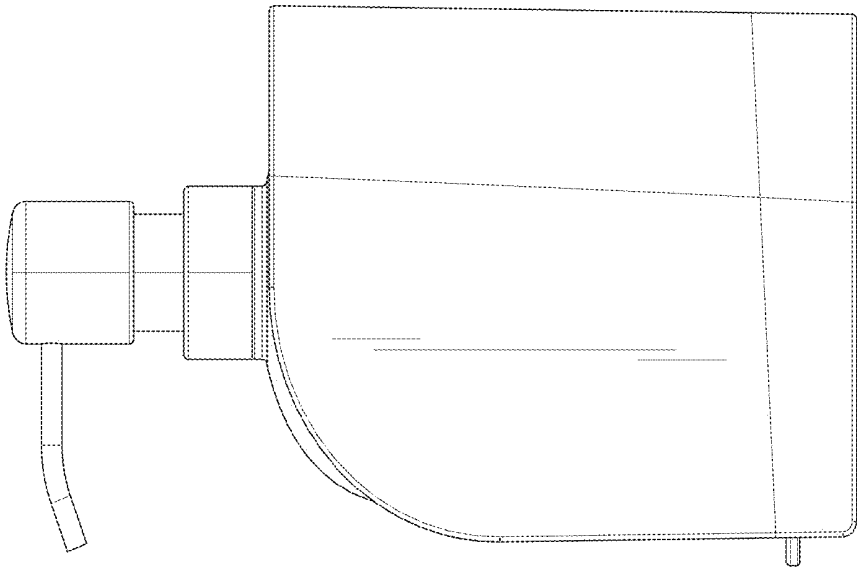


FIG. 4

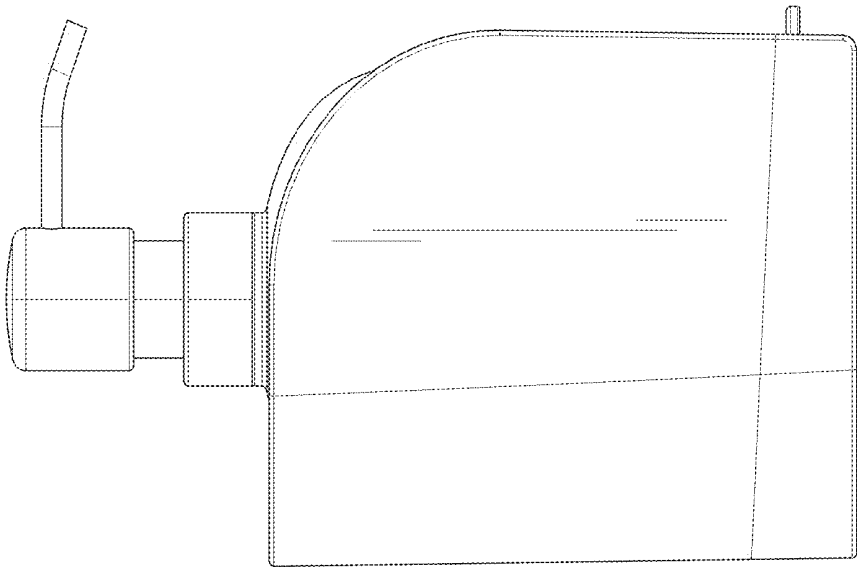


FIG. 5

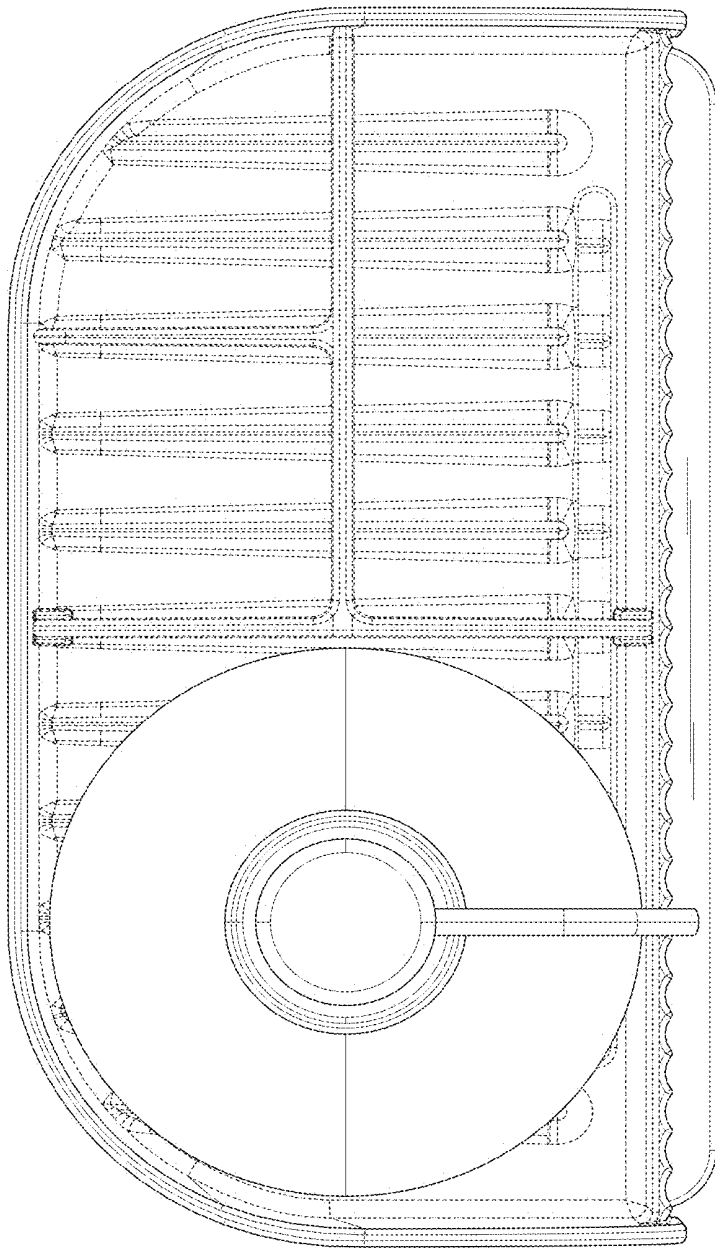


FIG. 6

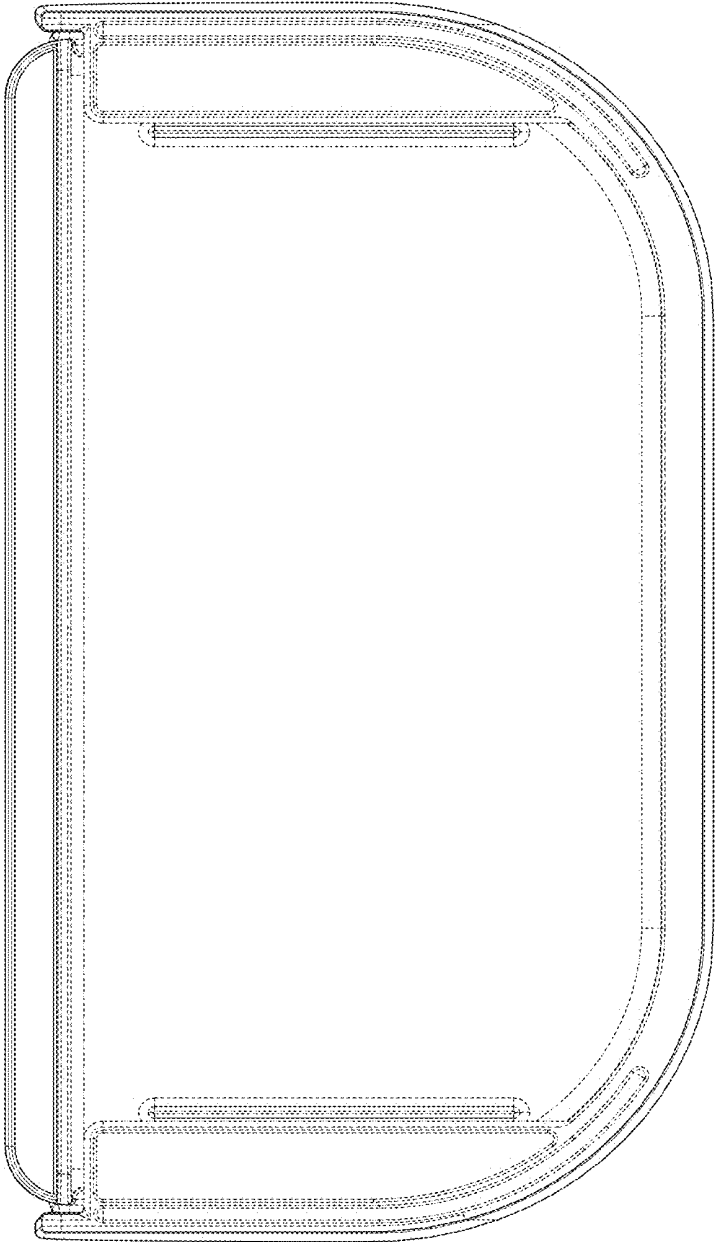


FIG. 7

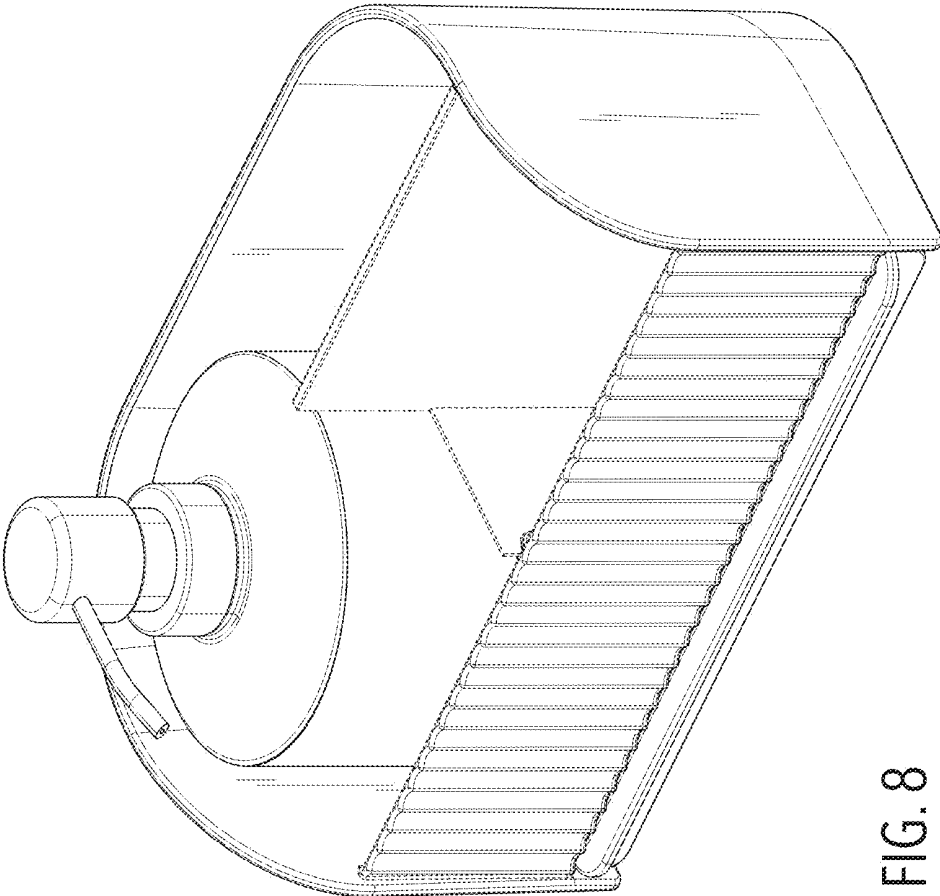


FIG. 8

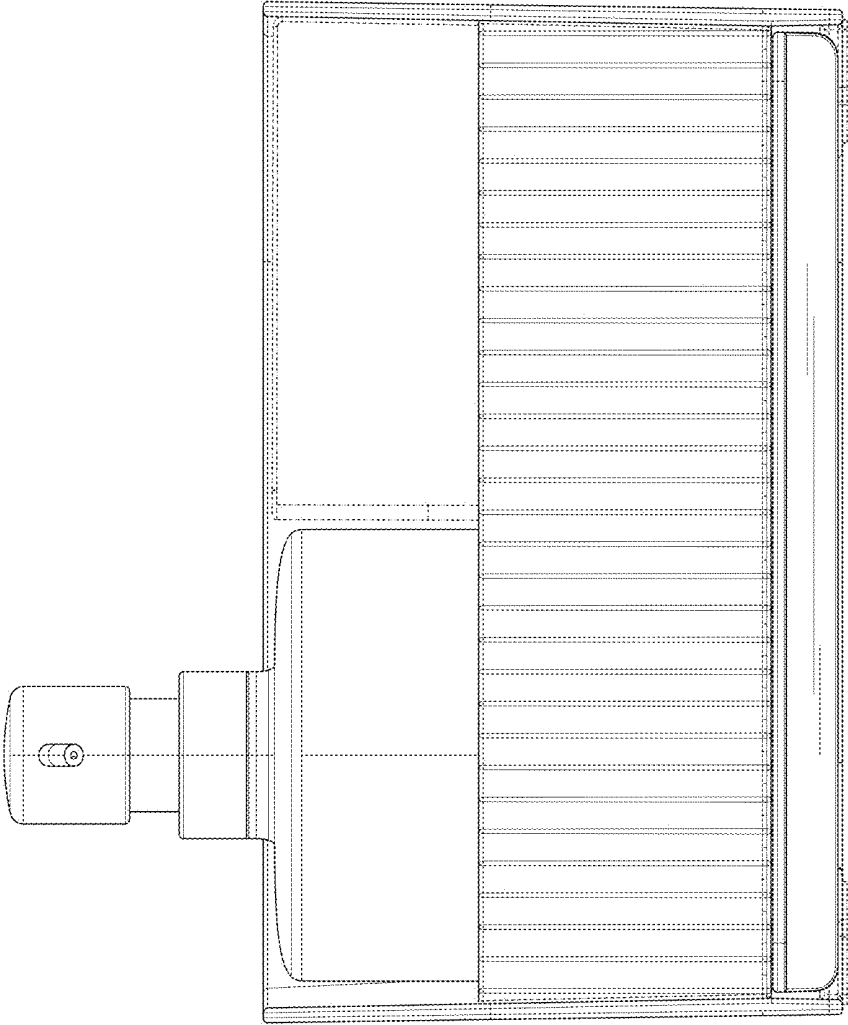


FIG. 9

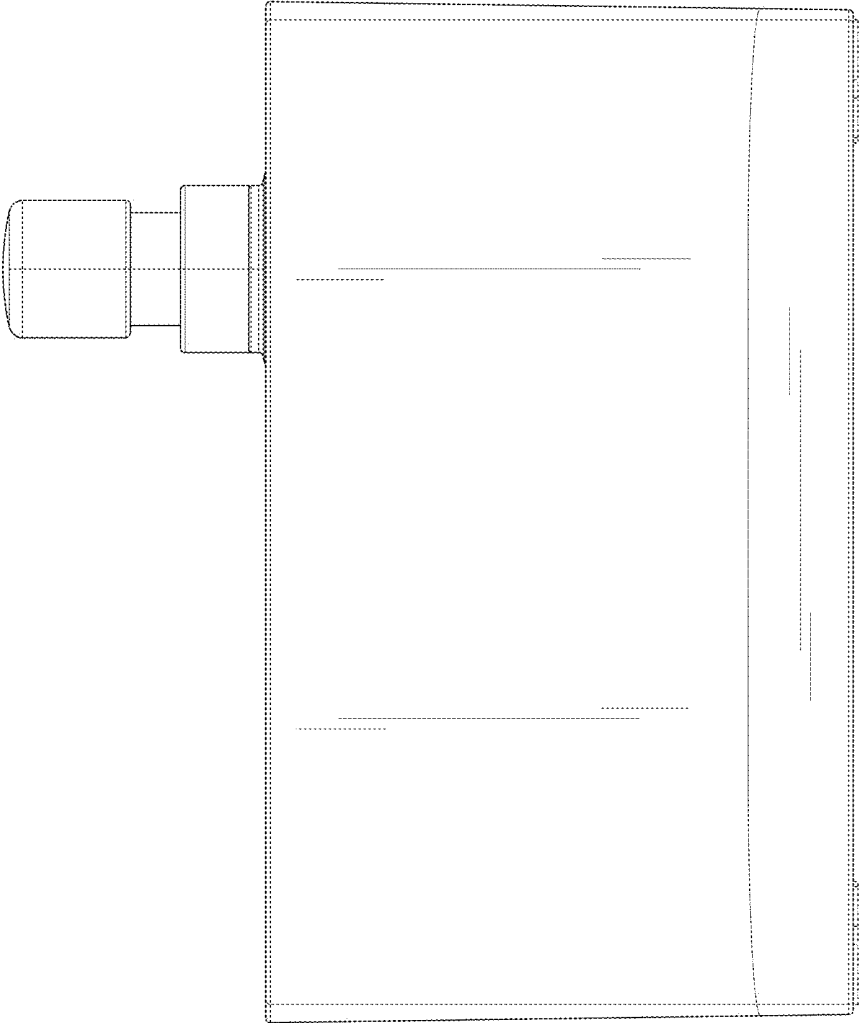


FIG. 10

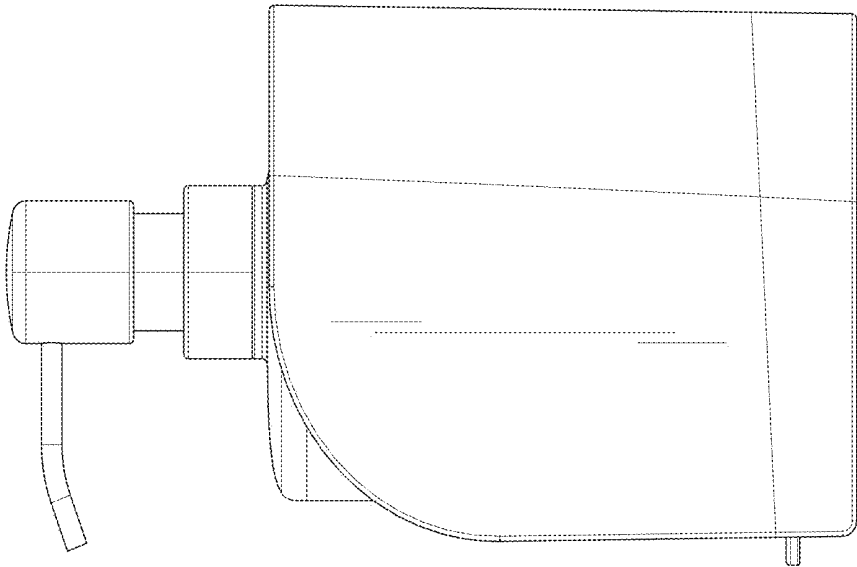


FIG. 11

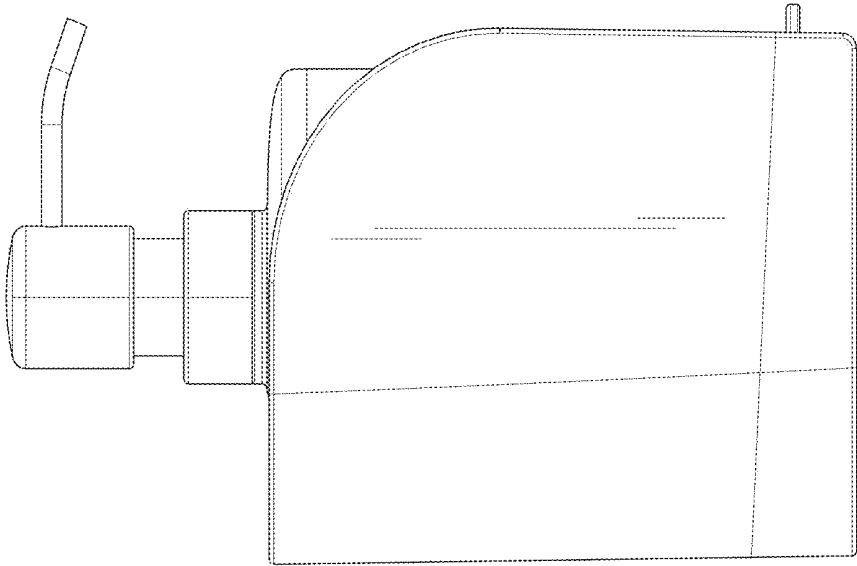


FIG. 12

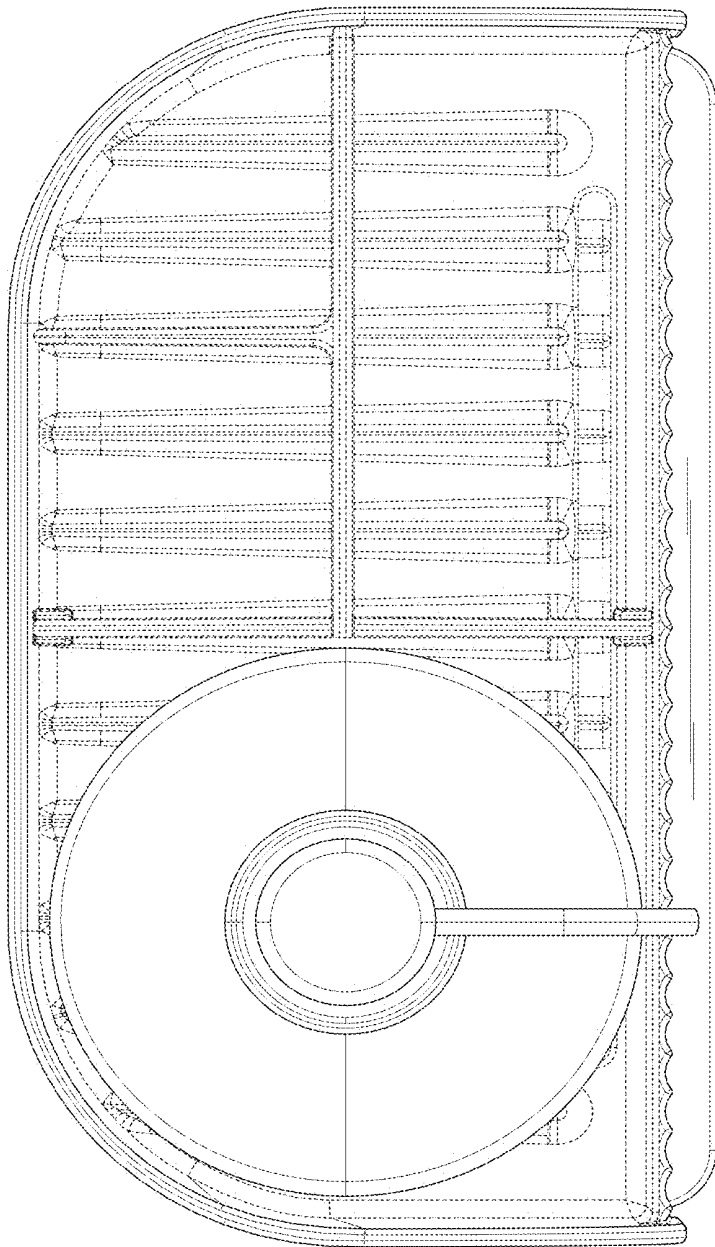


FIG. 13

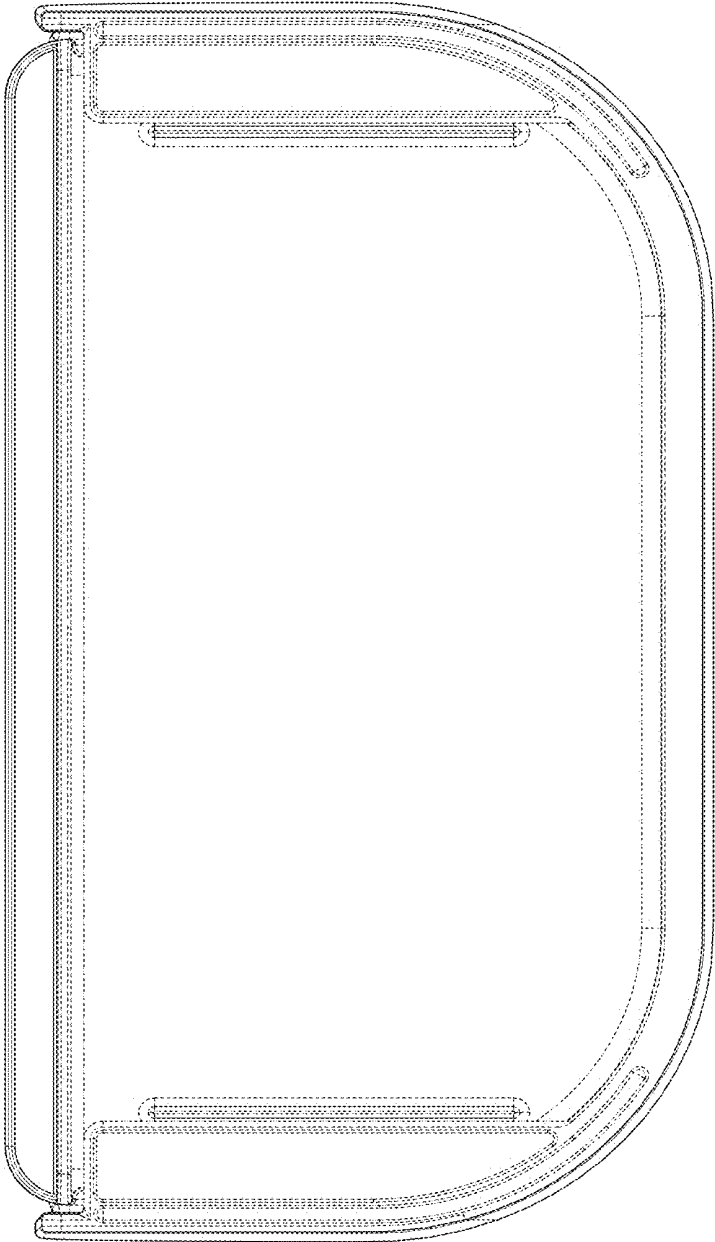


FIG. 14