



US0D1130022S

(12) **United States Design Patent** (10) **Patent No.:** **US D1,130,022 S**
Park (45) **Date of Patent:** **** Jun. 16, 2026**

(54) **NAPKIN HOLDER**
(71) Applicant: **Umbra LLC**, Buffalo, NY (US)
(72) Inventor: **Sung Wook Park**, Toronto (CA)
(73) Assignee: **UMBRA LLC**, Buffalo, NY (US)

D622,110 S * 8/2010 Yang D7/631
D744,296 S * 12/2015 Goodman D7/631
D748,441 S * 2/2016 Goodman D7/631
D835,476 S * 12/2018 Goodman D7/631
D842,661 S * 3/2019 Goodman D7/637
D889,212 S * 7/2020 Dittrich D7/631

(**) Term: **15 Years**

* cited by examiner

(21) Appl. No.: **29/988,141**

Primary Examiner — Janice Patyk
(74) Attorney, Agent, or Firm — Simpson & Simpson, PLLC

(22) Filed: **Jan. 30, 2025**

(51) **LOC (15) Cl.** **07-09**

(57) **CLAIM**

(52) **U.S. Cl.**

The ornamental design for a napkin holder as shown and described.

(53) **USPC** **D7/631**

(58) **Field of Classification Search**

USPC D3/304, 306, 316; D6/566, 567, 573, D6/574; D7/631, 637–641; D19/75, 81, D19/83–86, 90, 92; D28/74, 83, 86
CPC A47B 88/00; A47G 21/14; A47G 21/16; A47G 21/184; A47G 23/06; A47G 29/087; A47J 45/02; A47J 47/16; B65D 1/34; B65D 1/36
See application file for complete search history.

DESCRIPTION

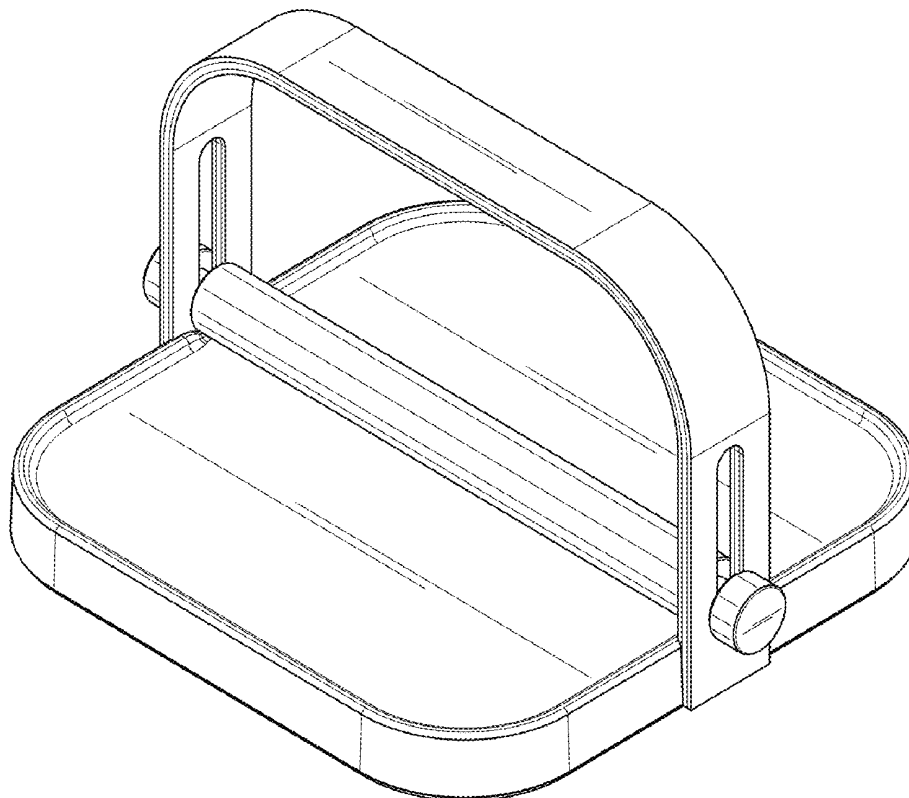
FIG. 1 is a front perspective view of a napkin holder, showing my new design;
FIG. 2 is a front elevational view thereof;
FIG. 3 is a rear elevational view thereof;
FIG. 4 is a left side elevational view thereof;
FIG. 5 is a right side elevational view thereof;
FIG. 6 is a top view thereof; and,
FIG. 7 is a bottom view thereof.

(56) **References Cited**

U.S. PATENT DOCUMENTS

D495,214 S * 8/2004 Joseph D7/631
D548,539 S * 8/2007 Yang D7/631

1 Claim, 5 Drawing Sheets



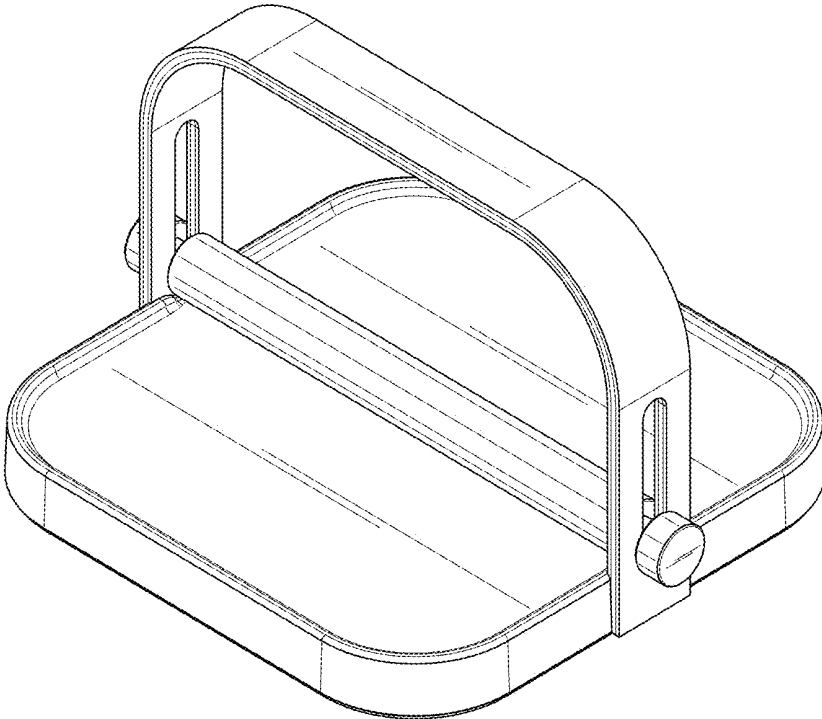


FIG. 1

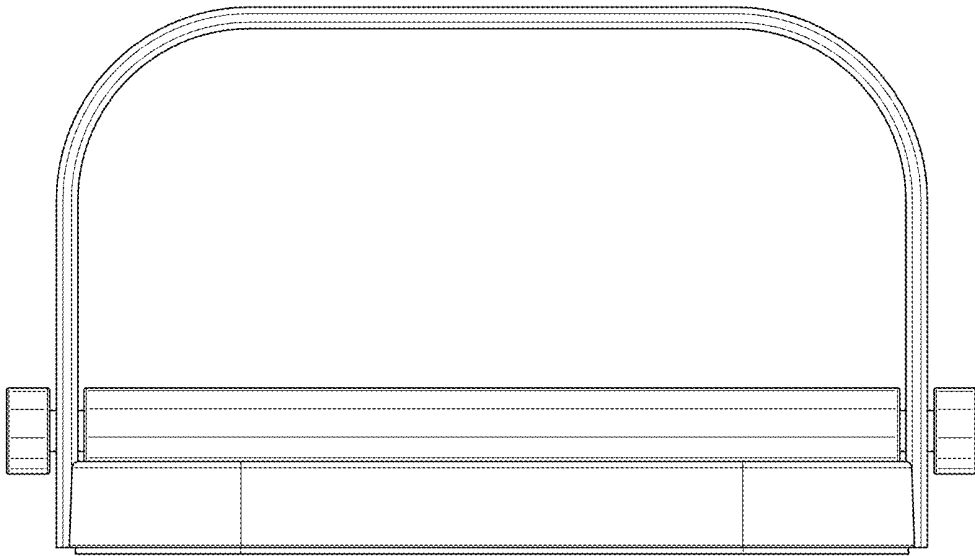


FIG. 2

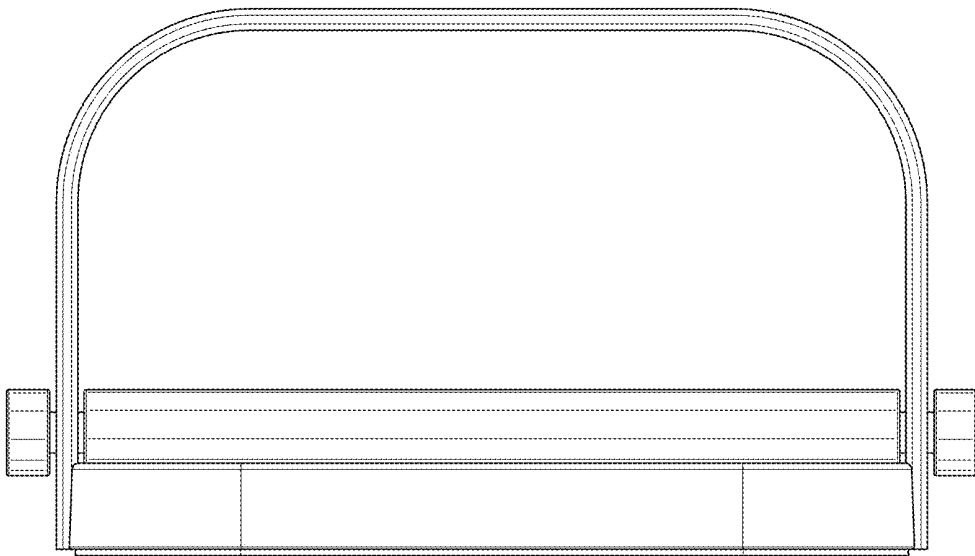


FIG. 3

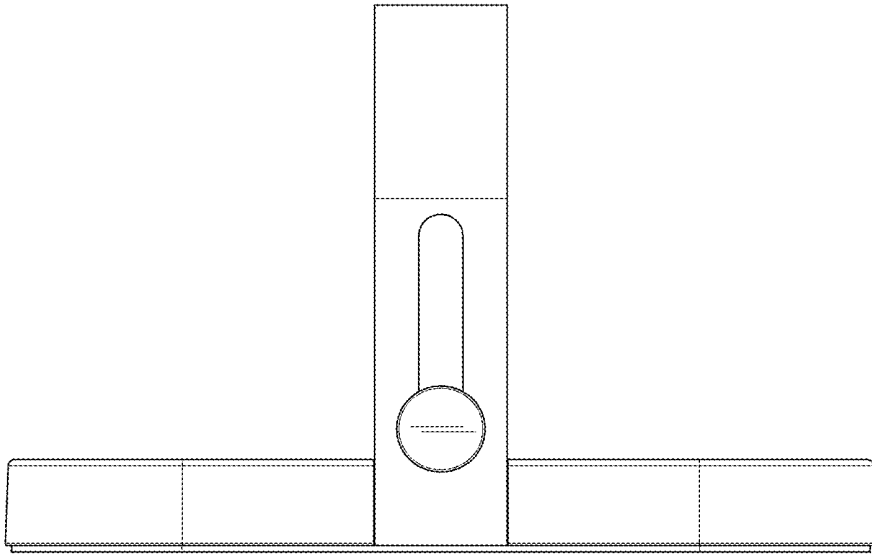


FIG. 4

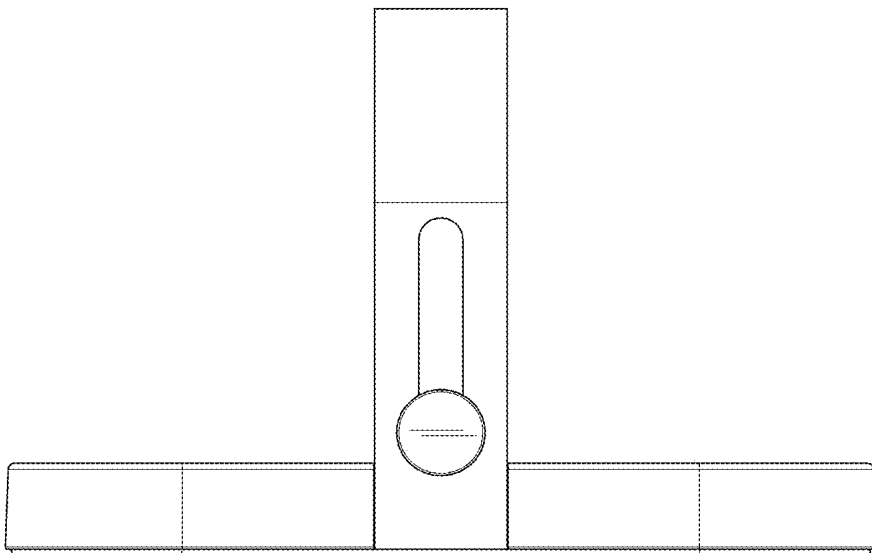


FIG. 5

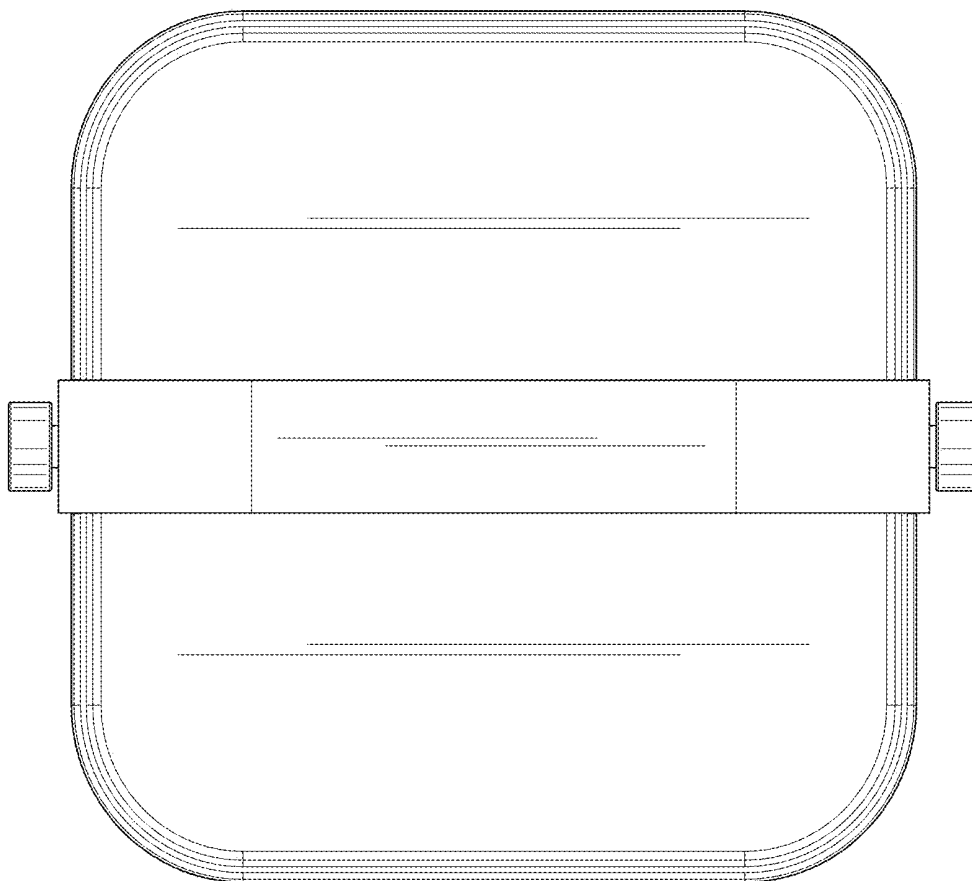


FIG. 6

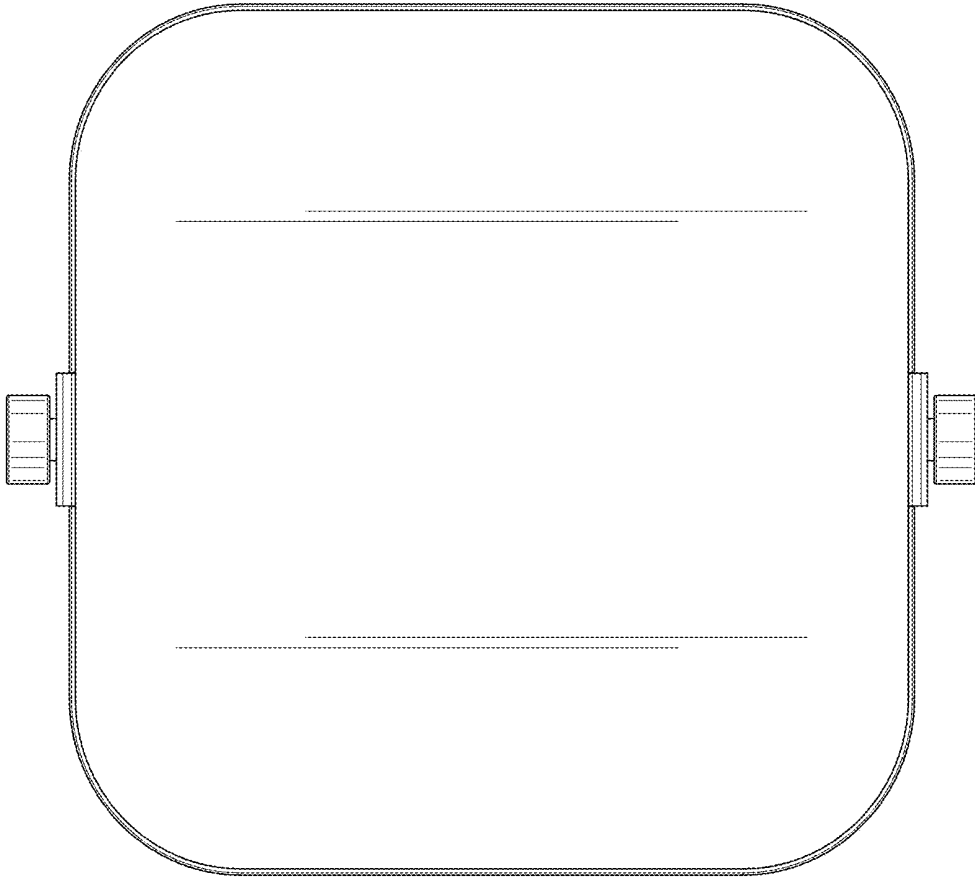


FIG. 7