



US0D1130558S

(12) **United States Design Patent** (10) **Patent No.:** **US D1,130,558 S**
McGregor (45) **Date of Patent:** **** Jun. 16, 2026**

(54) **ORGANIZER**

FOREIGN PATENT DOCUMENTS

(71) Applicant: **Umbra LLC**, Buffalo, NY (US)
(72) Inventor: **Brianna Daisy Harper McGregor**,
Ottawa (CA)

TR 202215466-0001 * 12/2022
TR 202215772-0001 * 12/2022

(73) Assignee: **UMBRA LLC**, Buffalo, NY (US)

(**) Term: **15 Years**

(21) Appl. No.: **29/919,947**

(22) Filed: **Dec. 7, 2023**

(51) **LOC (15) Cl.** **19-07**

(52) **U.S. Cl.**
USPC **D19/75**

(58) **Field of Classification Search**

USPC D19/75, 77, 90, 91, 95, 78, 92, 85;
D28/73, 83; D3/304, 310, 311, 312, 313,
D3/284, 289, 291, 294, 297, 299, 302;
D6/675.2, 675.4, 683.1, 705.7, 706, 507,
D6/525, 301, 674, 567; D14/253
CPC G09F 1/10; G09F 1/14; B42F 7/12
See application file for complete search history.

OTHER PUBLICATIONS

CHANCETSUI Organizer, Amazon.com, reviewed Aug. 2, 2023, retrieved Apr. 14, 2025, U.S. Appl. No. 29/919,947—<https://www.amazon.com/CHANCETSUI-Organizer-Rectangular-Compartment-Eyeshadow/dp/B0BWS424QP/> (Year: 2023).*

(Continued)

Primary Examiner — Richard Edgar
Assistant Examiner — Danielle Nichole Bowly
(74) *Attorney, Agent, or Firm* — Simpson & Simpson, PLLC

(57) **CLAIM**

The ornamental design for an organizer as shown and described.

DESCRIPTION

FIG. 1 is a front perspective view of the organizer of the present invention;
FIG. 2 is a rear perspective view of the organizer shown in FIG. 1;
FIG. 3 is a front elevational view of the organizer shown in FIG. 1;
FIG. 4 is a rear elevational view of the organizer shown in FIG. 1;
FIG. 5 is a left side elevational view of the organizer shown in FIG. 1;
FIG. 6 is a right side elevational view of the organizer shown in FIG. 1;
FIG. 7 is a top view of the organizer shown in FIG. 1; and
FIG. 8 is a bottom view of the organizer shown in FIG. 1.

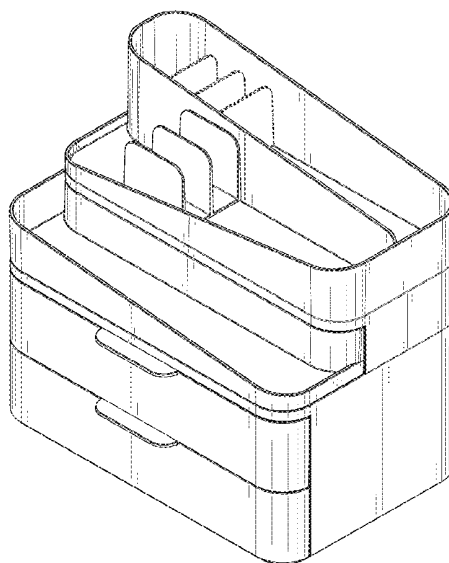
(56) **References Cited**

U.S. PATENT DOCUMENTS

D295,540 S * 5/1988 Rabig D19/90
D355,217 S * 2/1995 Luna D19/78
D387,498 S * 12/1997 Sussman D19/78
D390,266 S * 2/1998 Cheris D19/78
D392,324 S * 3/1998 Cheris D19/78
D398,078 S * 9/1998 Hsu D19/75
D401,015 S * 11/1998 Sussman D19/75
D456,452 S * 4/2002 Chang D19/78
D556,407 S * 11/2007 Snell D19/75
D886,546 S 6/2020 Green et al.
D931,009 S * 9/2021 Stelmarski D6/525
D984,533 S * 4/2023 Stevens D19/90
D984,807 S * 5/2023 Cheng D3/297

(Continued)

1 Claim, 7 Drawing Sheets



(56)

References Cited

U.S. PATENT DOCUMENTS

D986,322 S * 5/2023 Joseph D19/90
D1,062,868 S * 2/2025 Ye D19/90

OTHER PUBLICATIONS

Umbra Organizer, Amazon.com, reviewed Jun. 16, 2023, retrieved Apr. 14, 2025, U.S. Appl. No. 29/919,947—<https://www.amazon.com/Umbra-Glam-Large-Organizer-White/dp/B0BVHG9QSL/> (Year: 2023).*

* cited by examiner

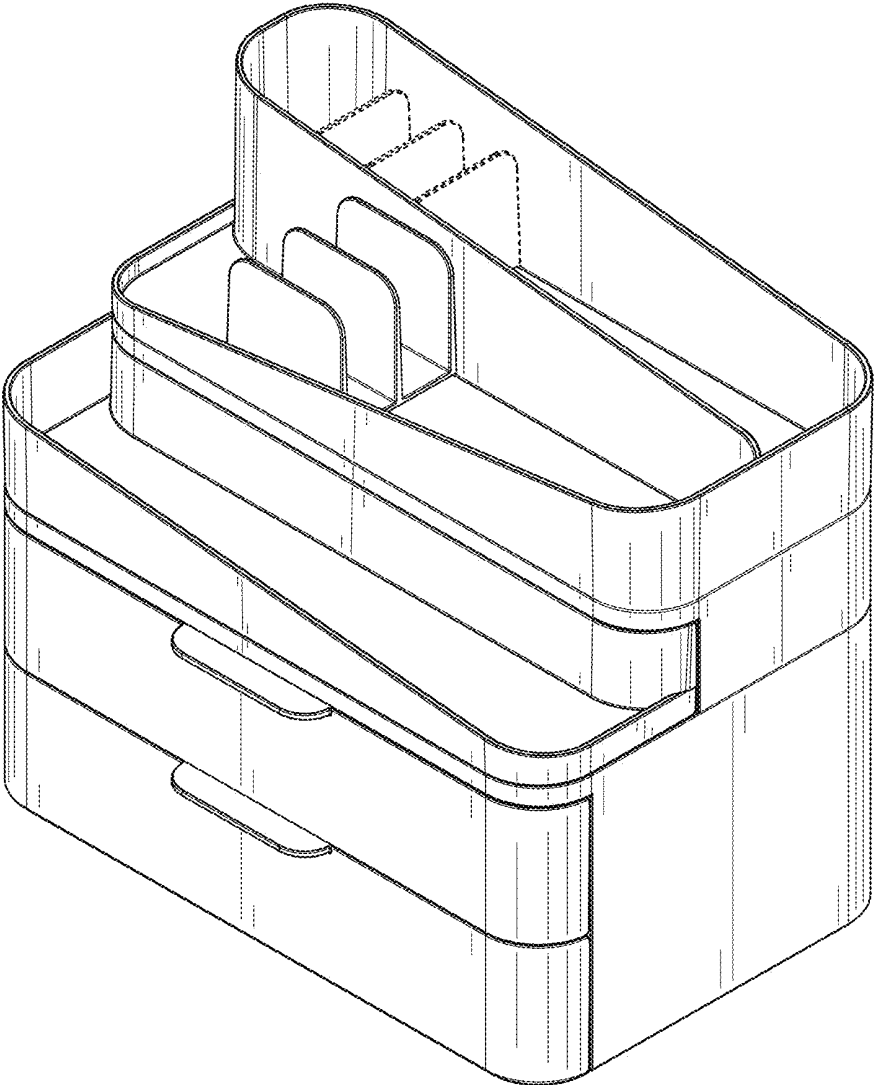


FIG. 1

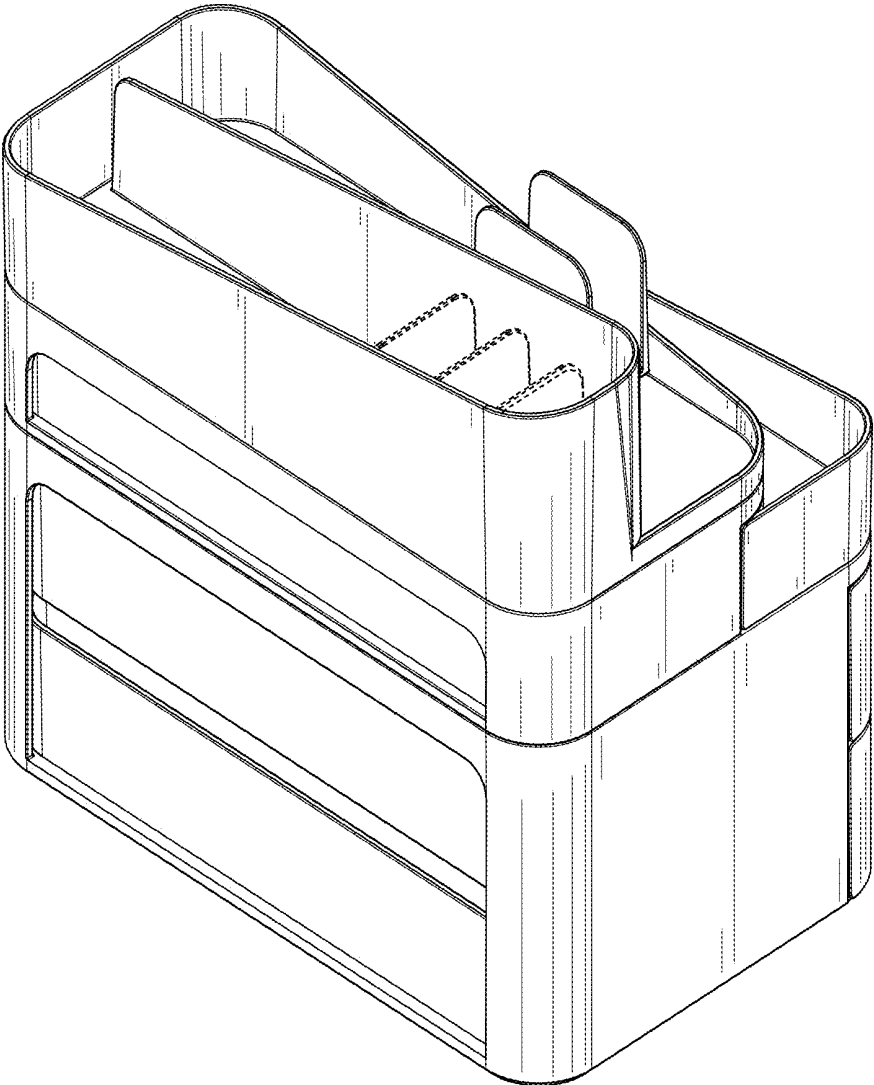


FIG. 2

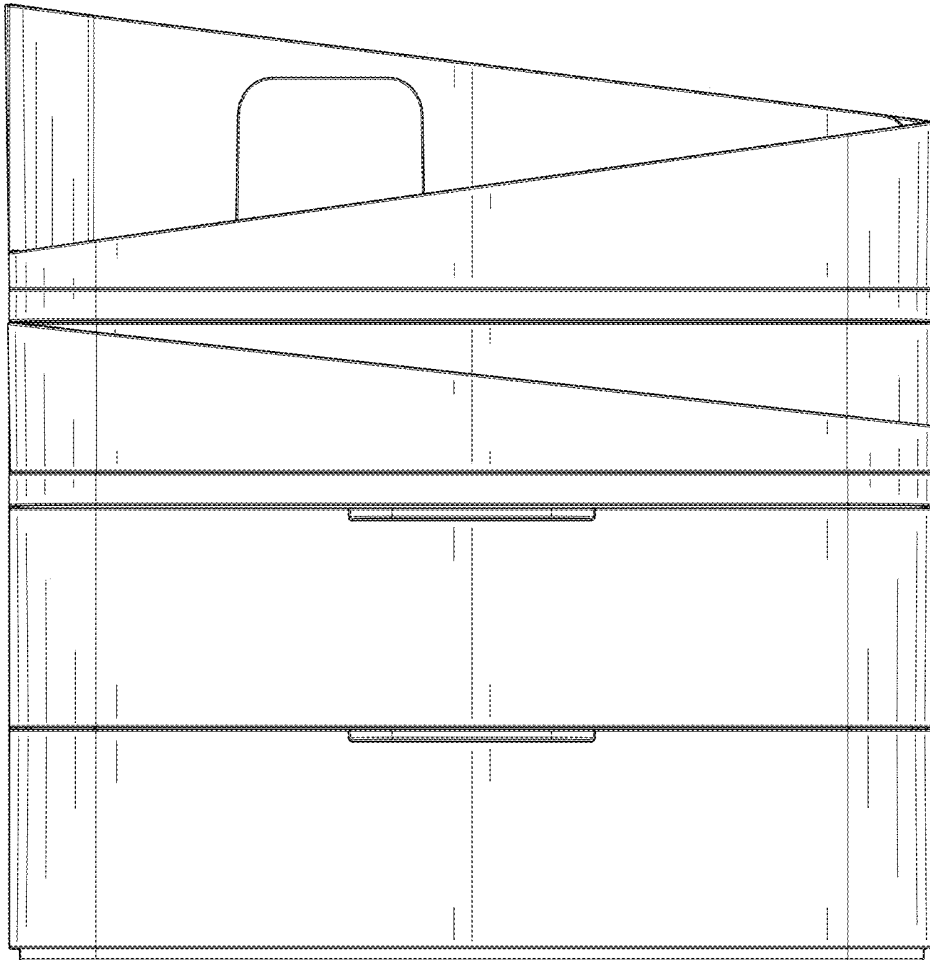


FIG. 3

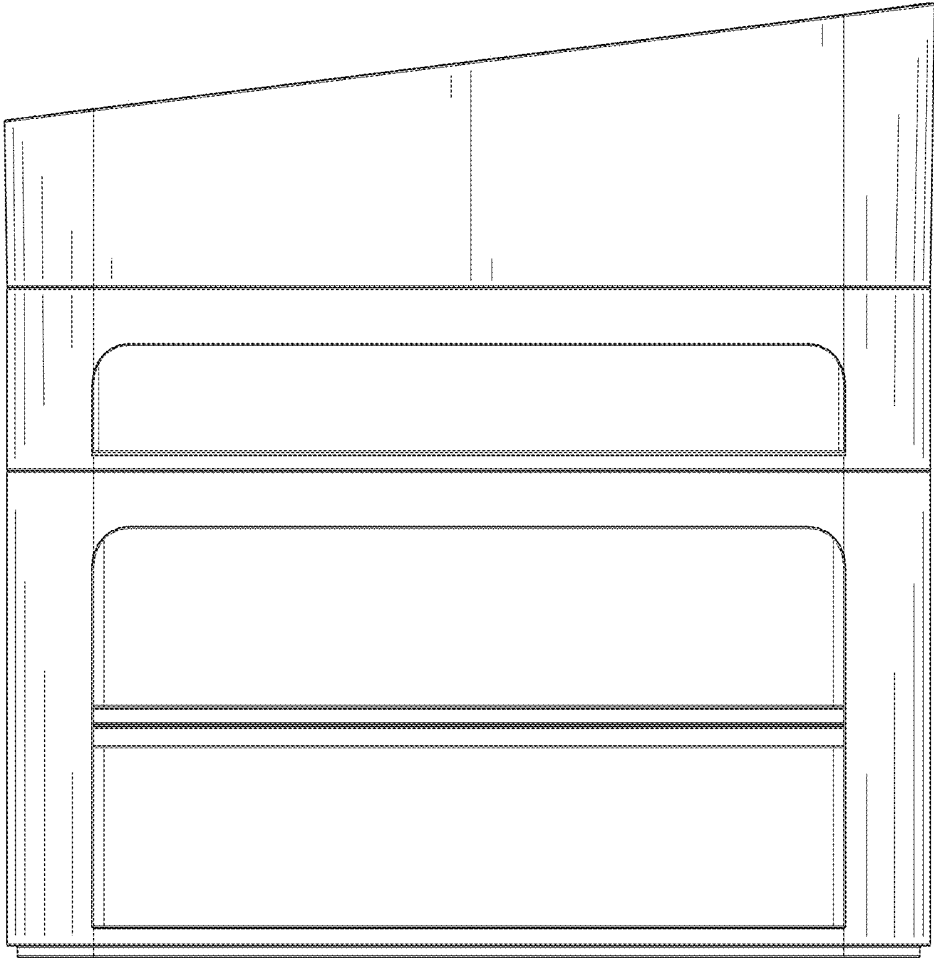


FIG. 4

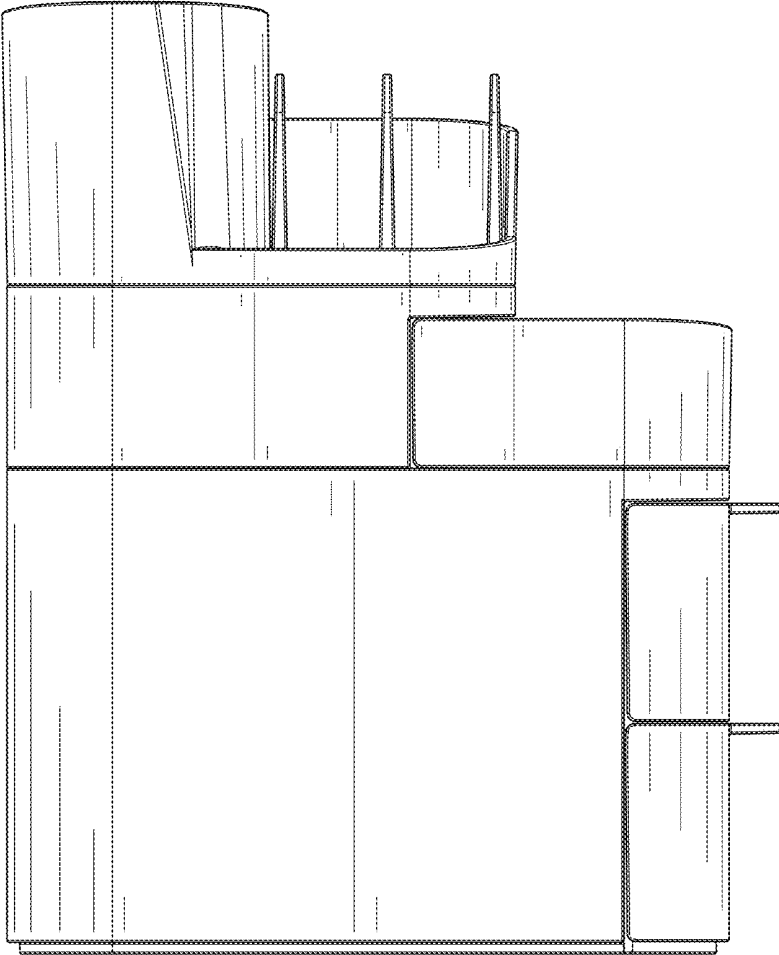


FIG. 5

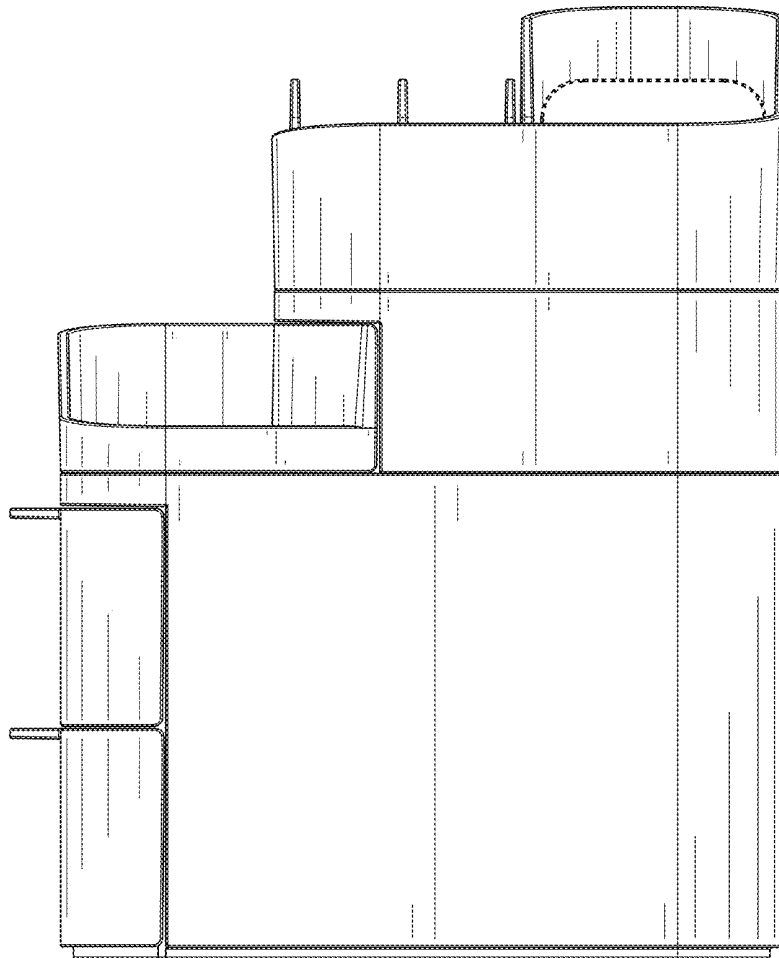


FIG. 6

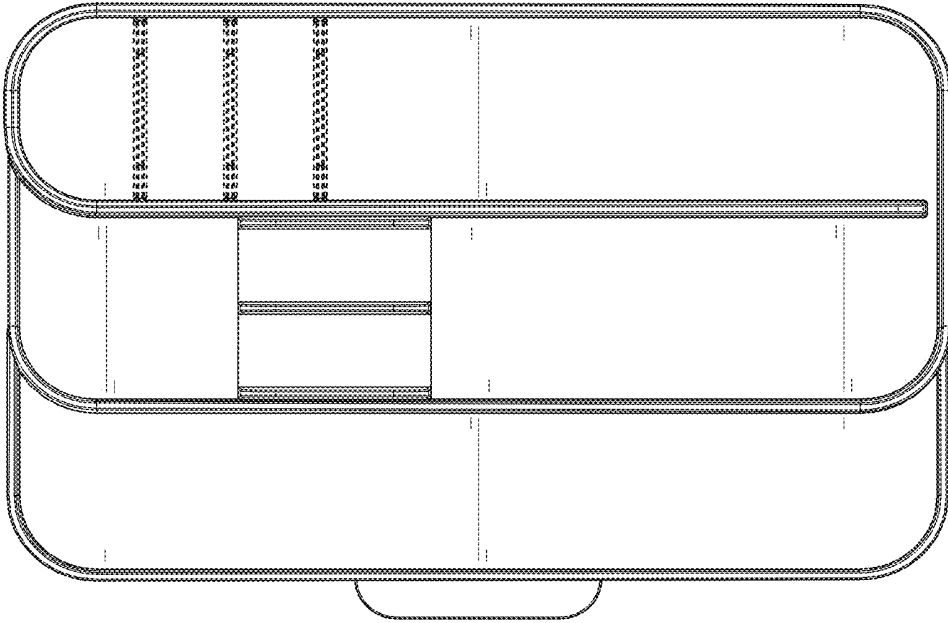


FIG. 7

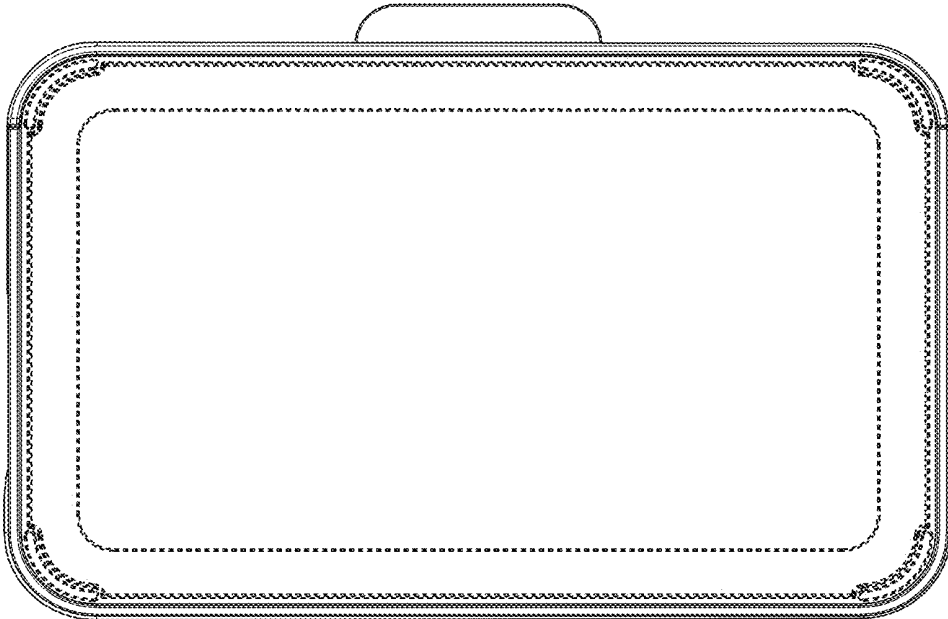


FIG. 8