



US0D1131629S

(12) **United States Design Patent** (10) **Patent No.:** **US D1,131,629 S**  
**Clark, III et al.** (45) **Date of Patent:** **\*\* Jun. 23, 2026**

(54) **PRINTER**

FOREIGN PATENT DOCUMENTS

(71) Applicant: **Xerox Corporation**, Norwalk, CT (US)

CN 308552902 \* 4/2024  
EM 015083067-0001 \* 11/2024

(72) Inventors: **William T. Clark, III**, Pittsford, NY (US); **Lindsey C. Frederick**, Rochester, NY (US); **Julia Catalanello**, Rochester, NY (US)

(Continued)

(73) Assignee: **XEROX CORPORATION**, Norwalk, CT (US)

OTHER PUBLICATIONS

(\*\*) Term: **15 Years**

B&H. Link: [https://www.bhphotovideo.com/c/product/1784289-REG/xerox\\_b625\\_dn\\_monochrome\\_all\\_in\\_one\\_printer.html](https://www.bhphotovideo.com/c/product/1784289-REG/xerox_b625_dn_monochrome_all_in_one_printer.html) Visited Jun. 27, 2025. Xerox VersaLink B625 Multifunction Printer (Year: 2025).\*

(21) Appl. No.: **29/944,779**

*Primary Examiner* — Lauren D Mcvey  
(74) *Attorney, Agent, or Firm* — Simpson & Simpson, PLLC

(22) Filed: **May 30, 2024**

(57) **CLAIM**

(51) **LOC (15) Cl.** ..... **14-02**

The ornamental design for a printer, as shown and described.

(52) **U.S. Cl.**

**DESCRIPTION**

USPC ..... **D18/39**

(58) **Field of Classification Search**

USPC ..... D18/36-41, 44-50, 53, 54-56, 59; D14/301, 307, 121

CPC ..... H04N 1/00204; H04N 1/00249; H04N 1/00278; G06K 15/12; G06K 15/14; B41J 3/00; B41J 3/28; B41J 3/445; B41J 3/46

See application file for complete search history.

FIG. 1 is a perspective view of a printer of the present invention;  
FIG. 2 is a front view of the invention shown in FIG. 1;  
FIG. 3 is a rear view of the invention shown in FIG. 1;  
FIG. 4 is a left-side view of the invention shown in FIG. 1;  
FIG. 5 is a right-side view of the invention shown in FIG. 1;  
FIG. 6 is a top plan view of the invention shown in FIG. 1; and,  
FIG. 7 is a bottom plan view of the invention shown in FIG. 1.

(56) **References Cited**

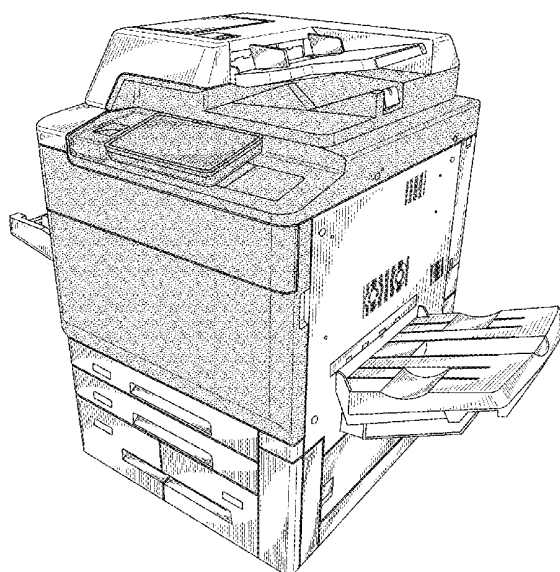
U.S. PATENT DOCUMENTS

D358,412 S \* 5/1995 Momose ..... D18/38  
D431,592 S \* 10/2000 Takenouchi ..... D18/39  
6,725,001 B2 \* 4/2004 Takahashi ..... H04N 1/00493  
399/81  
D521,056 S \* 5/2006 Horiguchi ..... D18/39  
D548,275 S \* 8/2007 Ishio ..... D18/39  
D577,763 S \* 9/2008 Hidaka ..... D18/39  
D626,588 S \* 11/2010 Kim ..... D18/39  
D701,563 S \* 3/2014 Kim ..... D18/39

The drawings illustrate a printer, as shown in the figures. Contour lines are included in various views of FIGS. 1 through 7 to depict surface curvature, flatness, and/or other shapes. Stippling, as illustrated in FIGS. 1 through 7, is intended to represent contrasting surfaces unlimited by colors, specifically contrasting within non-stippled surfaces. Portions of the design illustrated in broken lines form no part of the claimed design.

(Continued)

**1 Claim, 7 Drawing Sheets**



(56)

**References Cited**

U.S. PATENT DOCUMENTS

D750,701	S	*	3/2016	Nagano	.....	D18/39
D857,792	S	*	8/2019	Nagano	.....	D18/39
D910,745	S	*	2/2021	Izumiya	.....	D18/53
D947,276	S	*	3/2022	Hirano	.....	D18/39
D1,039,040	S	*	8/2024	Ogi	.....	D18/39

FOREIGN PATENT DOCUMENTS

GB	6407182	*	12/2024
JP	D1666895	*	12/2020

\* cited by examiner

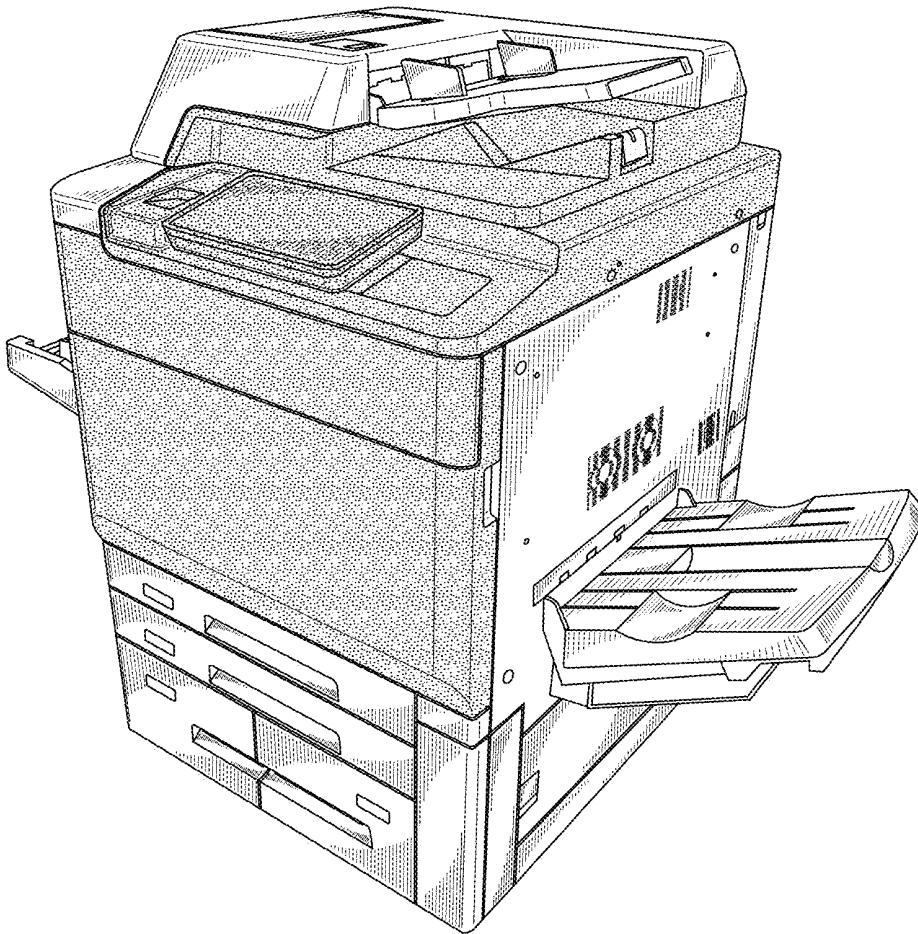


FIG. 1

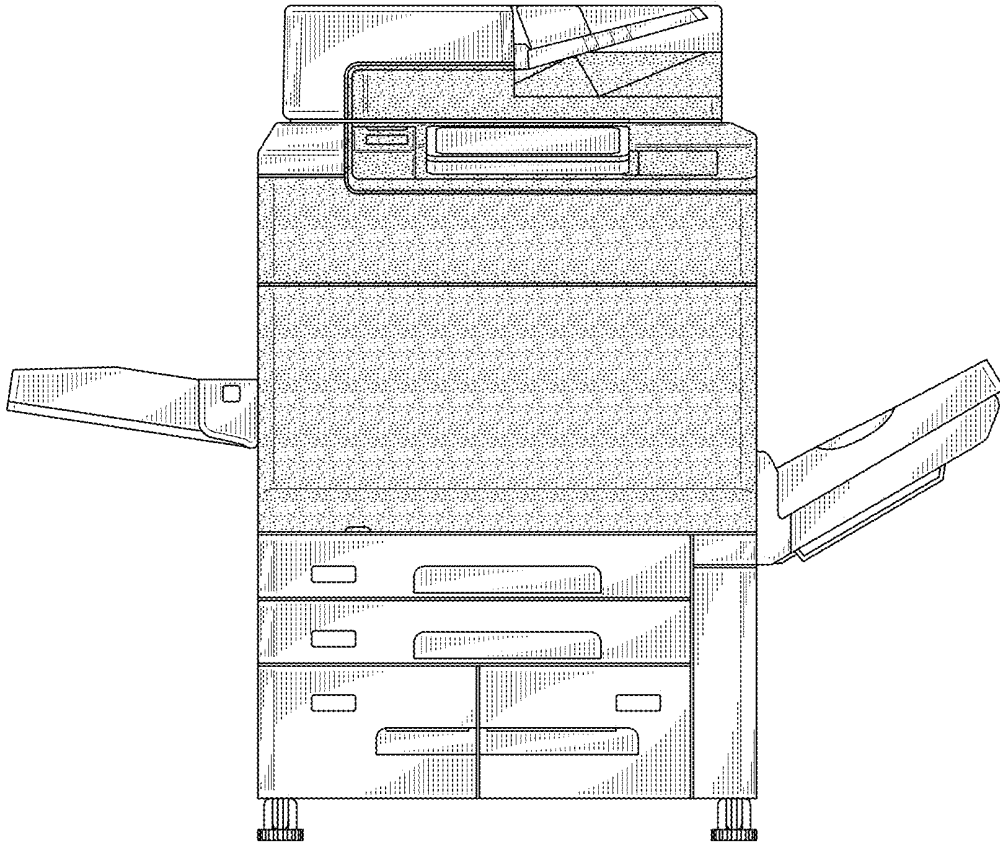


FIG. 2

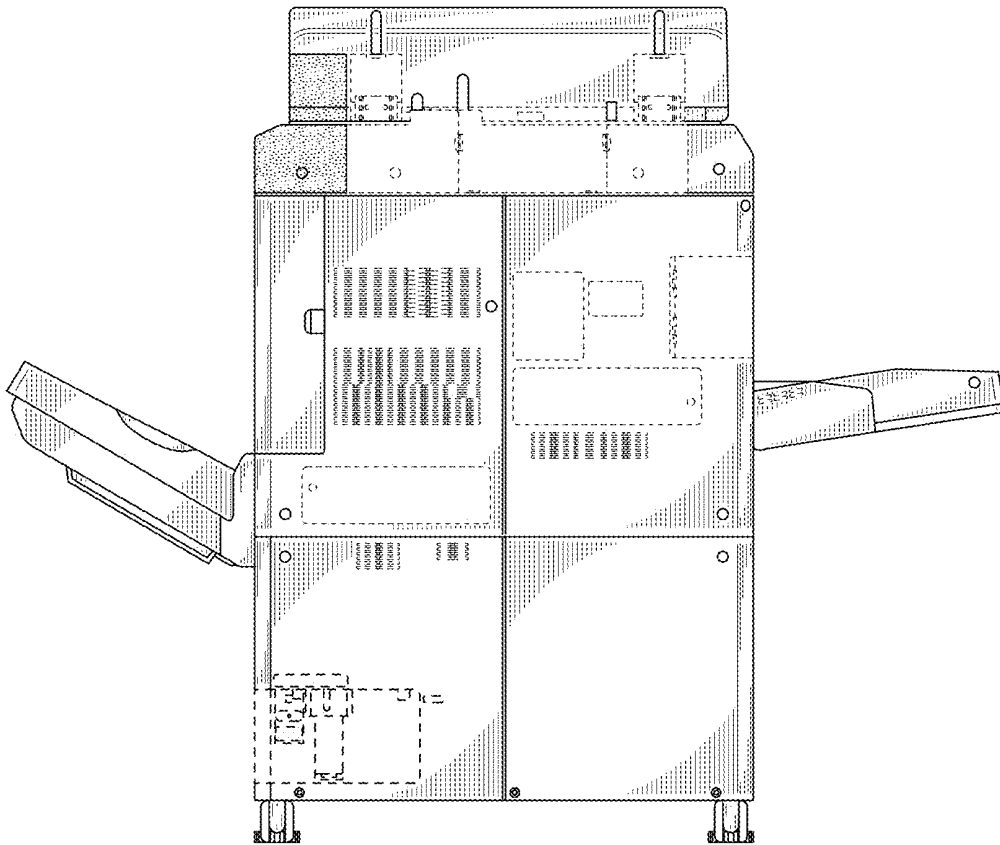


FIG. 3

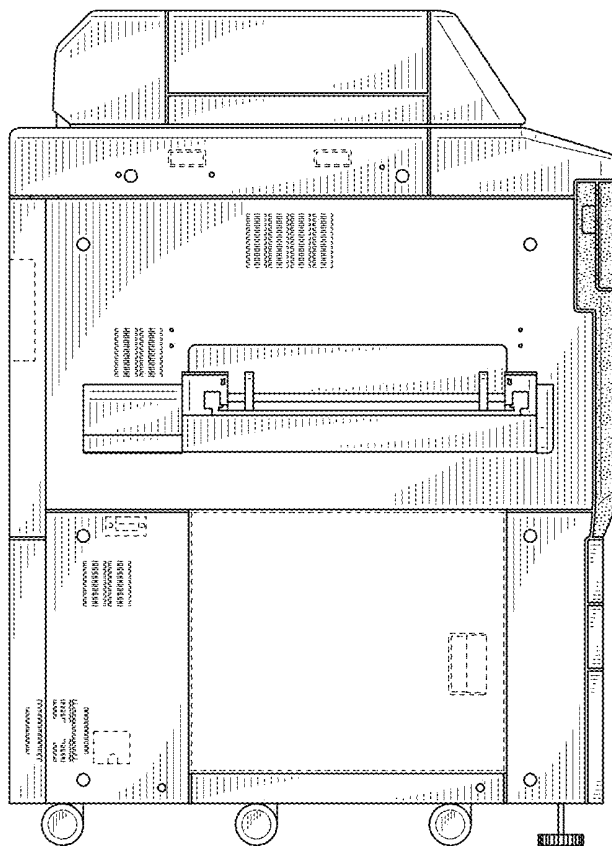


FIG. 4

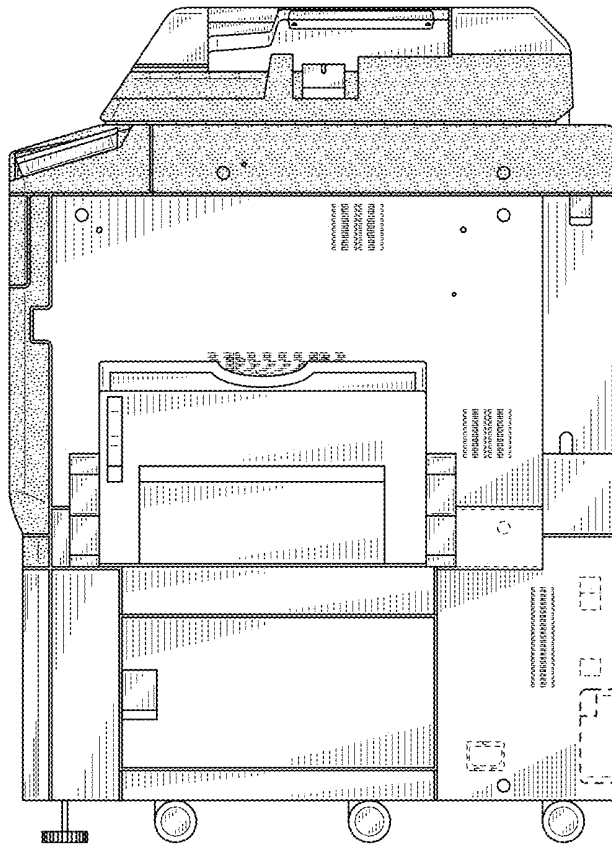


FIG. 5

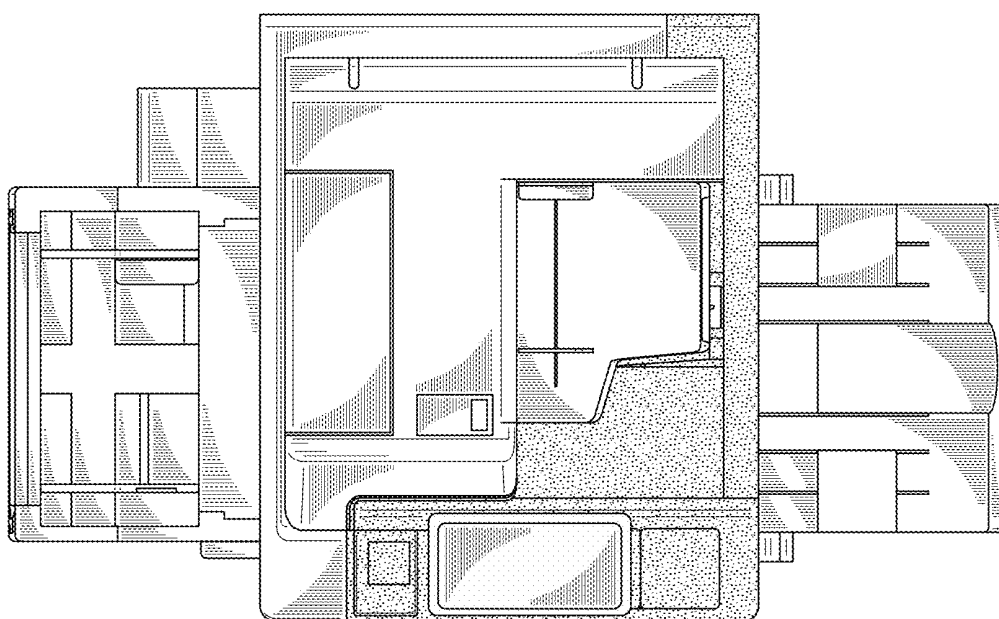


FIG. 6

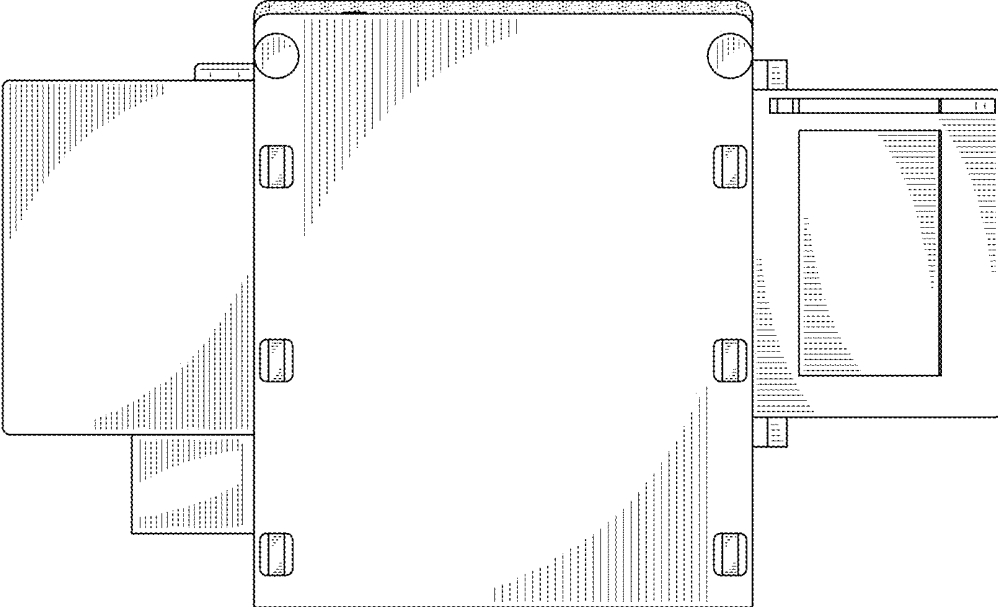


FIG. 7