

[54] CASING FOR FOOD GRINDER

[76] Inventor: **Ralph E. Reiner**, 6474 Chestnut La.,
Orchard Park, N.Y. 14127

[**] Term: **14 Years**

[21] Appl. No.: **848,454**

[22] Filed: **Nov. 4, 1977**

[51] Int. Cl. **D7-04; D15-08**
[52] U.S. Cl. **D7/155; D15/98**
[58] Field of Search **D7/153, 155; D15/98;**
241/100, 285 R, 285 A, 285 B

[56]

References Cited

U.S. PATENT DOCUMENTS

D. 21,619 6/1892 Morgan et al. D7/155
D. 93,171 8/1934 Kopf D7/155 X

Primary Examiner—Catherine E. Kemper
Attorney, Agent, or Firm—Bean, Kauffman & Bean

[57]

CLAIM

The ornamental design for a casing for food grinder, as shown.

DESCRIPTION

FIG. 1 is a front perspective view of a casing for food grinder showing my new design;
FIG. 2 is a rear perspective view thereof;
FIG. 3 is a top plan view thereof;
FIG. 4 is a bottom plan view thereof;
FIG. 5 is a sectional view thereof taken generally along the line 5-5 in FIG. 1.

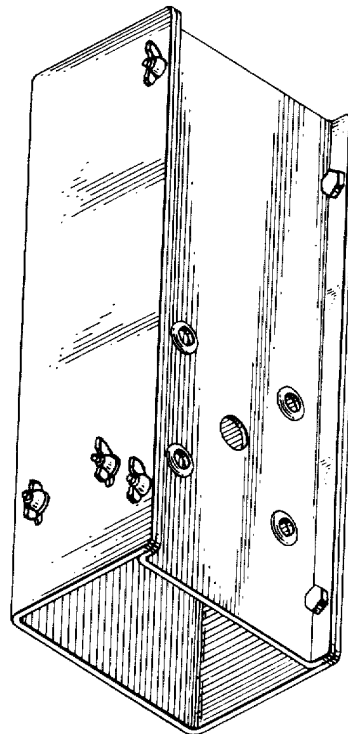
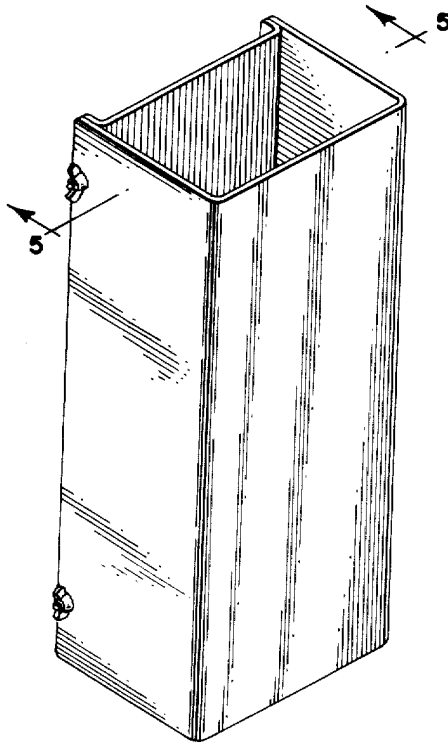


Fig. 1.

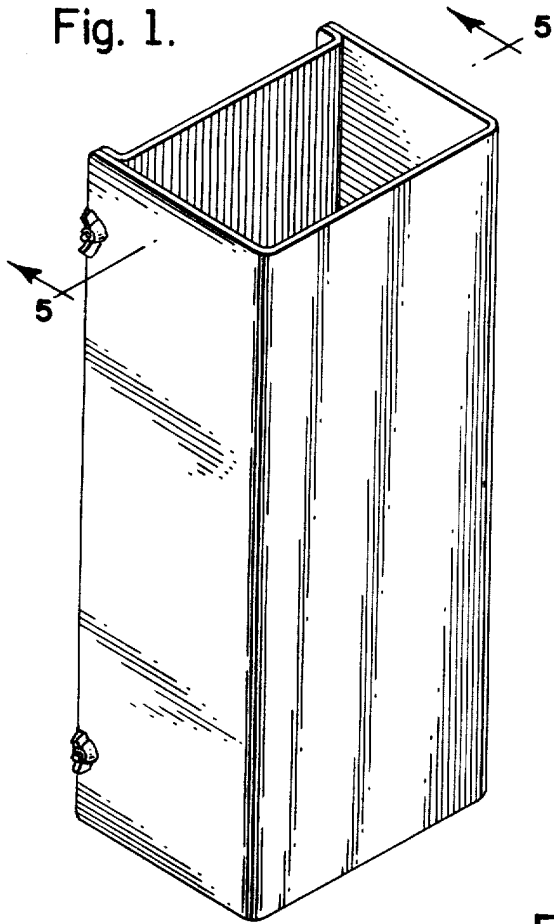


Fig. 2.

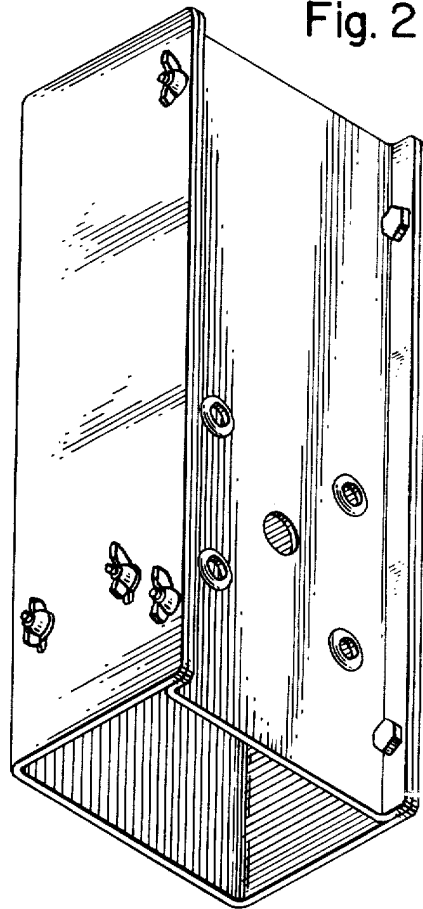


Fig. 5.

Fig. 3.

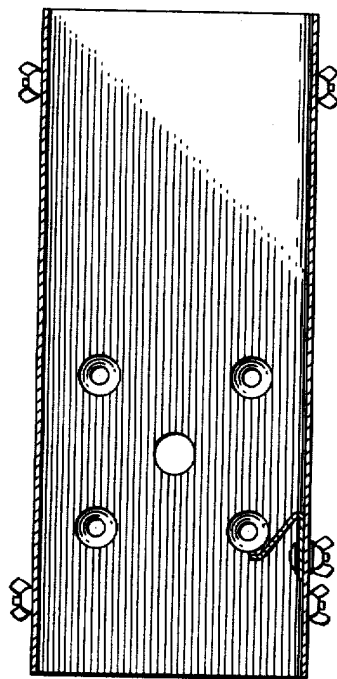
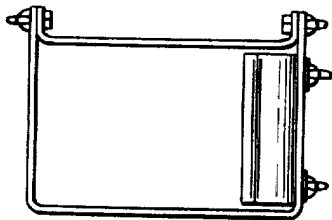


Fig. 4.

