

- [54] **POWERED PLATFORM SCALE**
- [75] Inventor: **Victor Del Rosso**, Ithaca, N.Y.
- [73] Assignee: **Hi-Speed Checkweigher Co., Inc.**,
Ithaca, N.Y.
- [**] Term: **14 Years**
- [21] Appl. No.: **543,330**
- [22] Filed: **Oct. 19, 1983**
- [52] U.S. Cl. **D10/87; D10/91**
- [58] Field of Search **D10/87-95;**
177/16, 52, 145; D34/29

3,434,555	3/1969	Wyatt	177/52
3,743,039	7/1973	Vogt	177/16
4,023,668	5/1977	DeSanto	177/16 X
4,437,561	3/1984	Hasegawa	177/145 X

Primary Examiner—Nelson C. Holtje
Attorney, Agent, or Firm—Bean, Kauffman & Bean

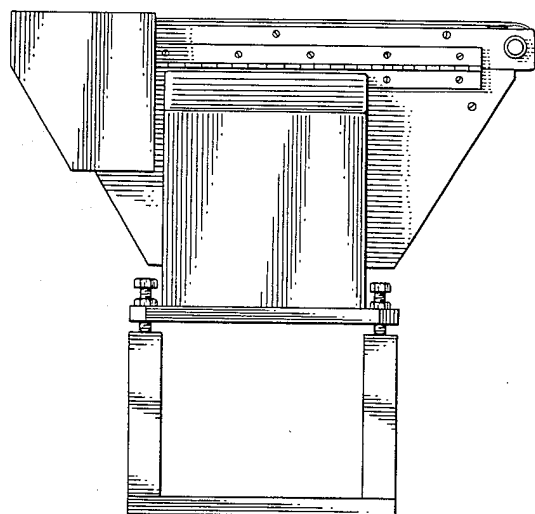
[57] **CLAIM**

The ornamental design for a powered platform scale, as shown and described.

DESCRIPTION

FIG. 1 is a front elevational view of a powered platform scale showing my new design;
 FIG. 2 is a rear elevational view thereof;
 FIG. 3 is a top plan view thereof;
 FIG. 4 is a right side elevational view thereof;
 FIG. 5 is a left side elevational view thereof; and
 FIG. 6 is a bottom plan view thereof.

- [56] **References Cited**
- U.S. PATENT DOCUMENTS**
- 2,938,626 5/1960 Dahms 177/208 X
- 3,299,975 1/1967 Stambera 177/52
- 3,367,433 2/1968 Seaburn 177/52 X



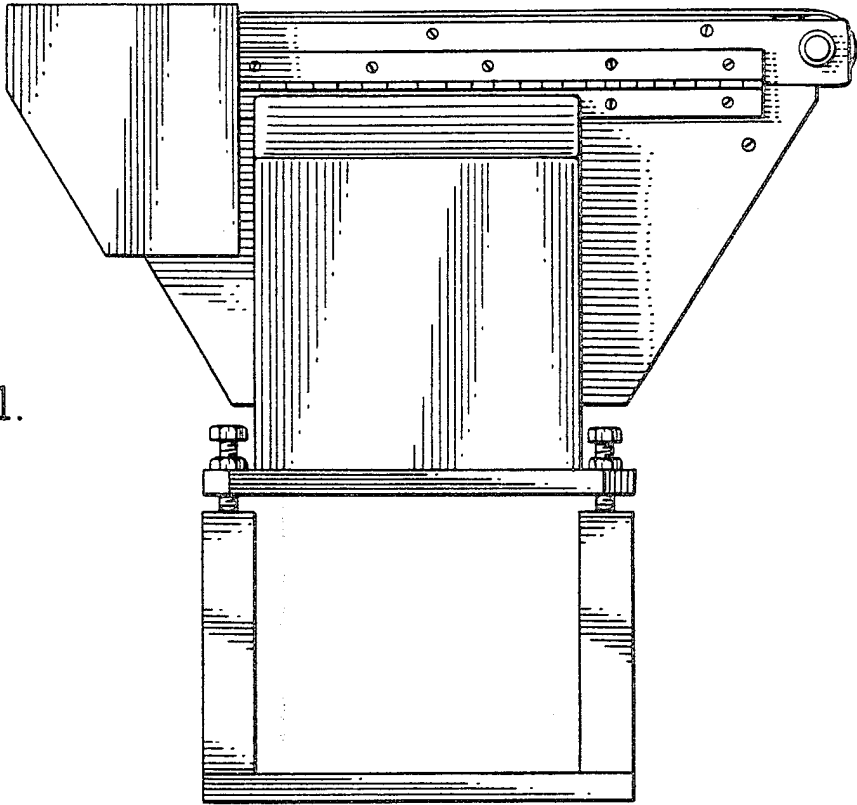


Fig. 1.

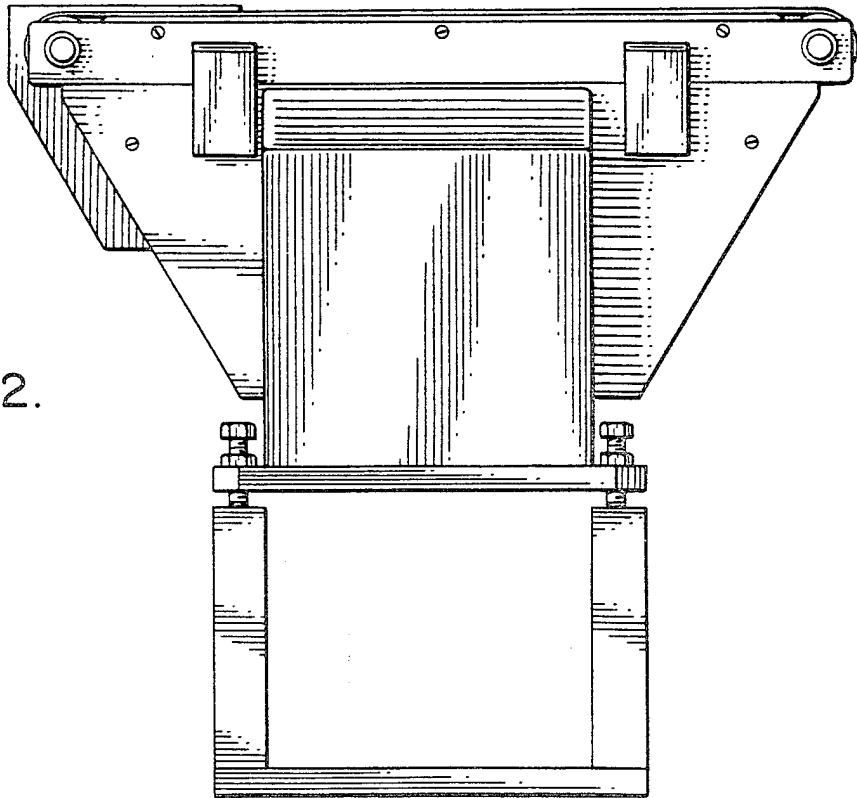


Fig. 2.

Fig. 3.

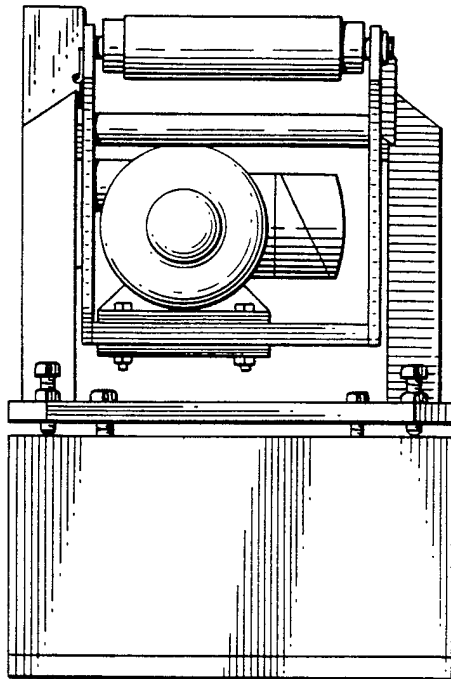
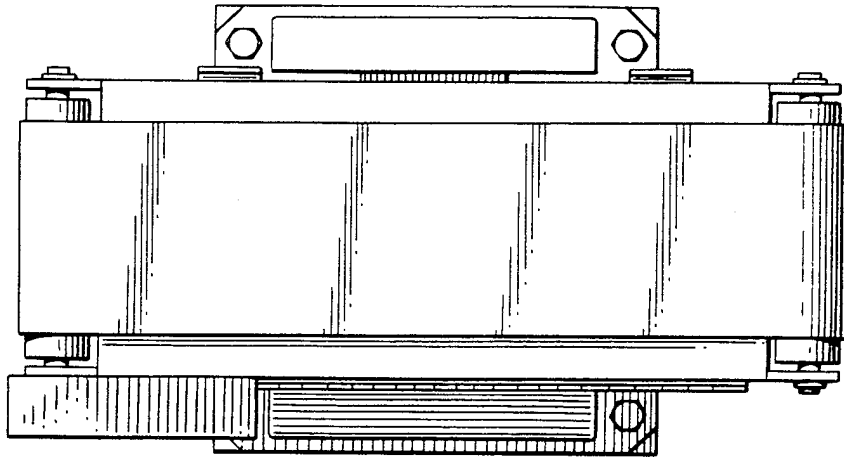


Fig. 4.

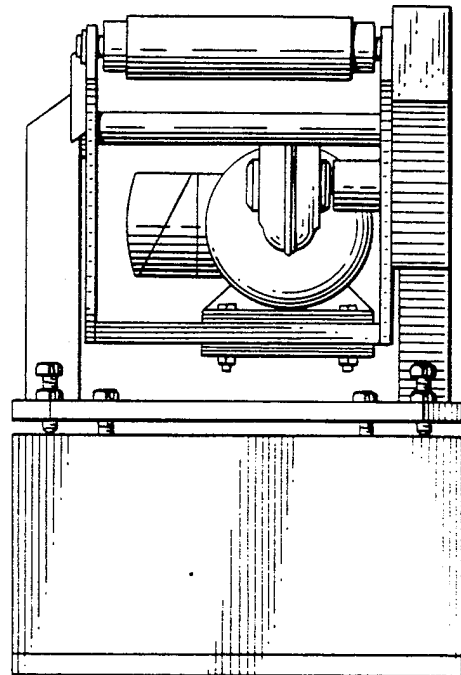


Fig. 5.

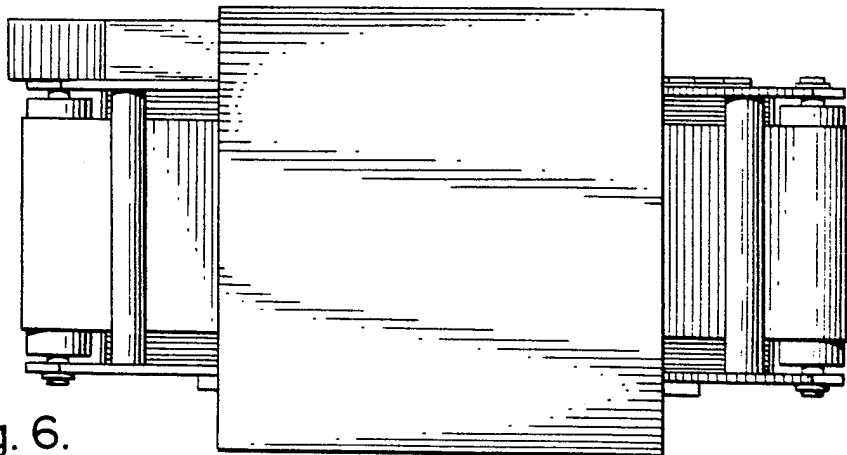


Fig. 6.