

[54] **POWERED PLATFORM SCALE**

[75] **Inventor: Victor Del Rosso, Ithaca, N.Y.**

[73] **Assignee: Hi-Speed Checkweigher Co., Inc.,
Ithaca, N.Y.**

[**] **Term: 14 Years**

[21] **Appl. No.: 543,349**

[22] **Filed: Oct. 19, 1983**

[52] **U.S. Cl. D10/87; D10/91**

[58] **Field of Search D10/87-95;
D34/29; 177/16, 52, 145**

[56] **References Cited**

U.S. PATENT DOCUMENTS

2,938,626	5/1960	Dahms	177/208 X
3,299,975	1/1967	Stambara	177/52
3,367,433	2/1968	Seaburn	177/52 X

3,434,555	3/1969	Wyatt	177/52
3,743,039	7/1973	Vogt	177/16
4,023,668	5/1977	DeSanto	177/16 X
4,437,561	3/1984	Hasegawa	177/145 X

Primary Examiner—Nelson C. Holtje
Attorney, Agent, or Firm—Bean, Kauffman & Bean

[57] **CLAIM**

The ornamental design for a powered platform scale, as shown and described.

DESCRIPTION

FIG. 1 is a front elevational view of a powered platform scale showing my new design;
FIG. 2 is a rear elevational view thereof;
FIG. 3 is a top plan view thereof;
FIG. 4 is a right side elevational view thereof;
FIG. 5 is a left side elevational view thereof; and
FIG. 6 is a bottom plan view thereof.

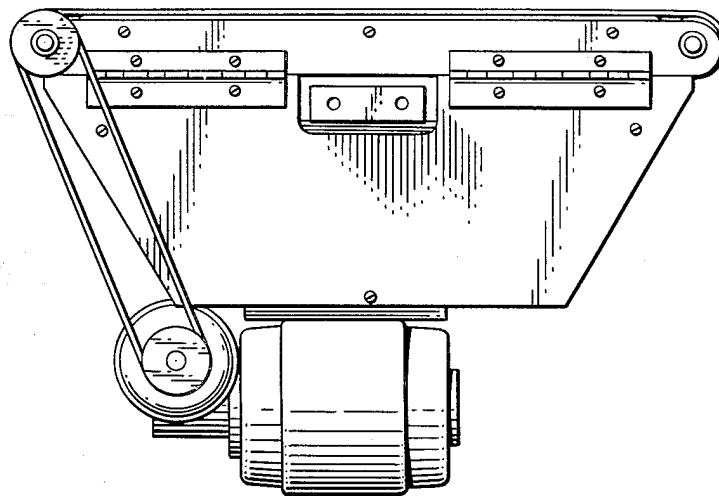


Fig. 1.

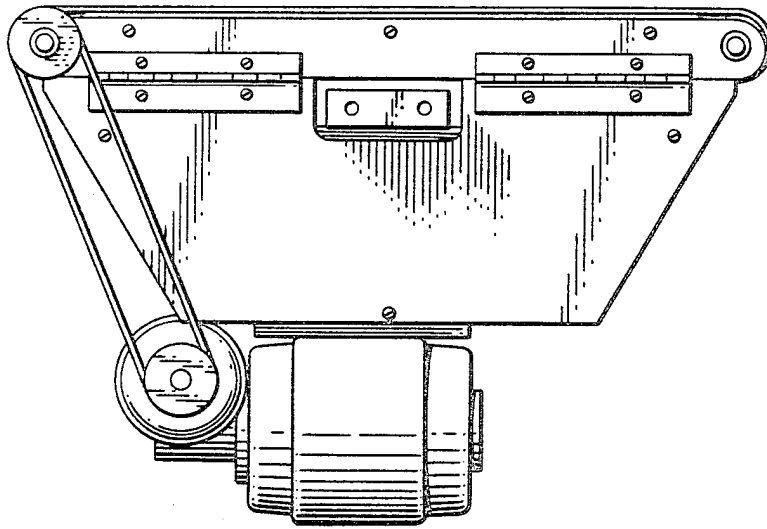


Fig. 2.

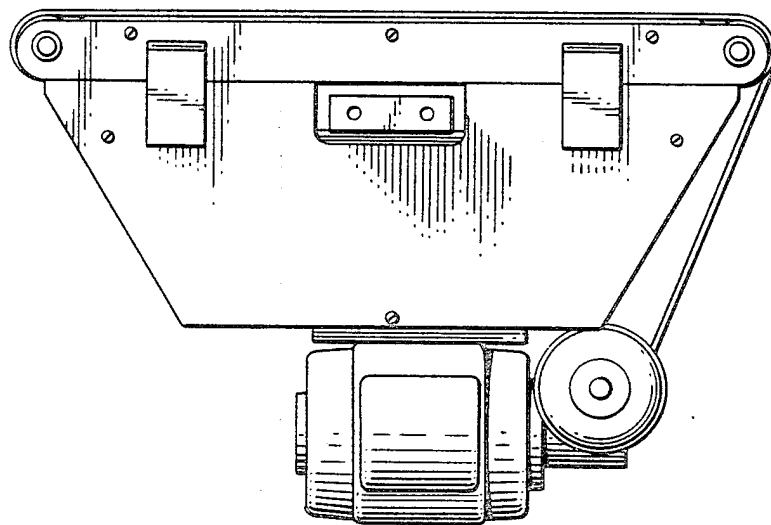


Fig. 3.

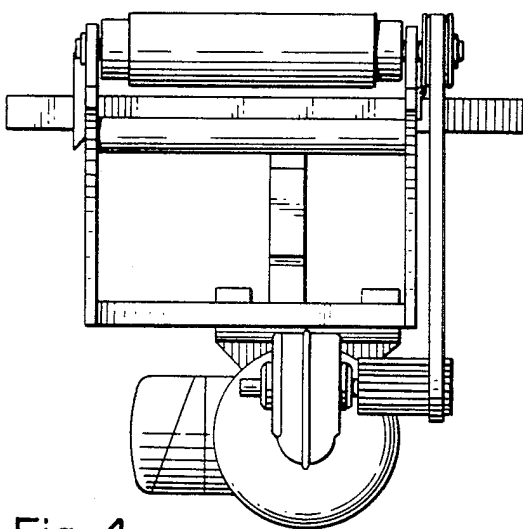
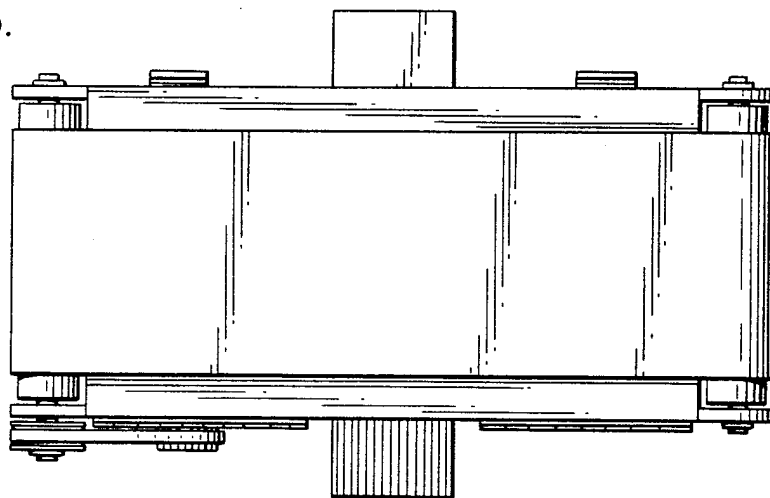


Fig. 4.

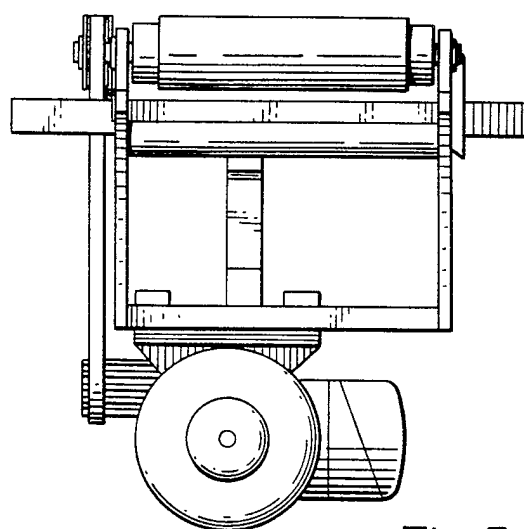


Fig. 5.

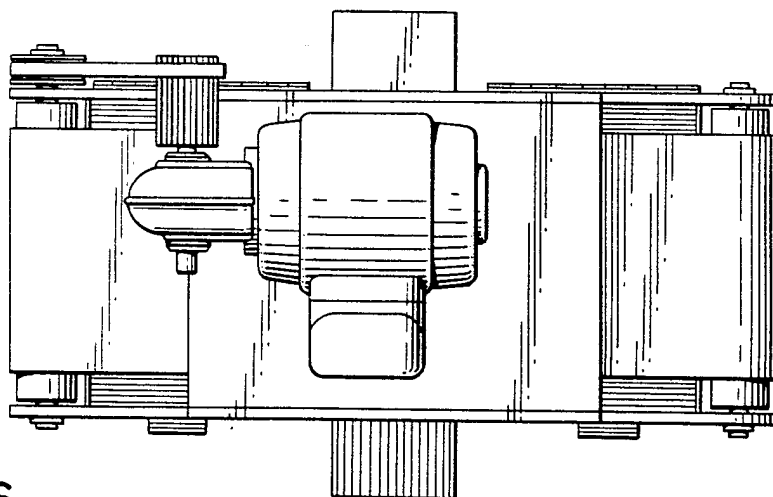


Fig. 6.