

[54] POWERED PLATFORM SCALE
 [75] Inventor: Victor Del Rosso, Ithaca, N.Y.
 [73] Assignee: Hi-Speed Checkweigher Co., Inc.,
 Ithaca, N.Y.
 [**] Term: 14 Years
 [21] Appl. No.: 543,350
 [22] Filed: Oct. 19, 1983
 [52] U.S. Cl. D10/87; D10/91
 [58] Field of Search D10/87-95;
 177/16, 52, 145; D34/29

3,367,433 2/1968 Seaborn 177/52 X
 3,434,555 3/1969 Wyatt 177/52
 3,743,039 7/1973 Vogt 177/16
 4,023,668 5/1977 DeSanto 177/16 X
 4,437,561 3/1984 Hasegawa 177/145 X

Primary Examiner—Nelson C. Holtje
 Attorney, Agent, or Firm—Bean, Kauffman & Bean

[57] CLAIM

The ornamental design for a powered platform scale, as shown and described.

DESCRIPTION

FIG. 1 is a front elevational view of a powered platform scale showing my new design;
 FIG. 2 is a rear elevational view thereof;
 FIG. 3 is a top plan view thereof;
 FIG. 4 is a right side elevational view thereof;
 FIG. 5 is a left side elevational view thereof; and
 FIG. 6 is a bottom plan view thereof.

[56] References Cited
 U.S. PATENT DOCUMENTS
 D. 46,671 11/1914 Harrison D10/87
 2,938,626 5/1960 Dahms 177/208 X
 3,299,975 1/1967 Stambera 177/52

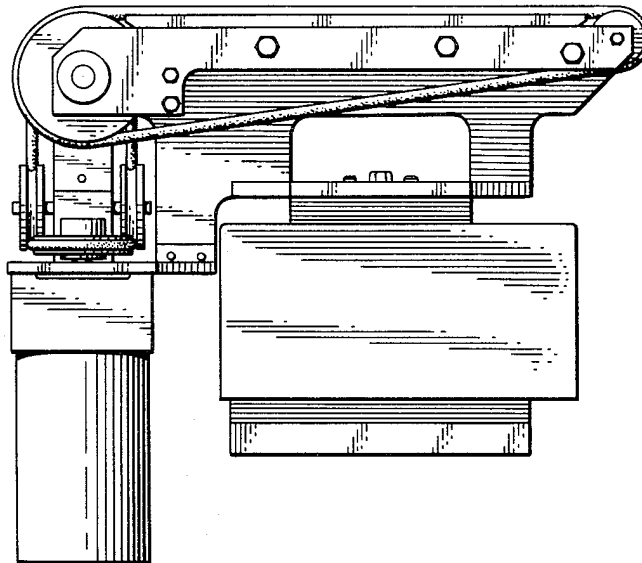


Fig. 1.

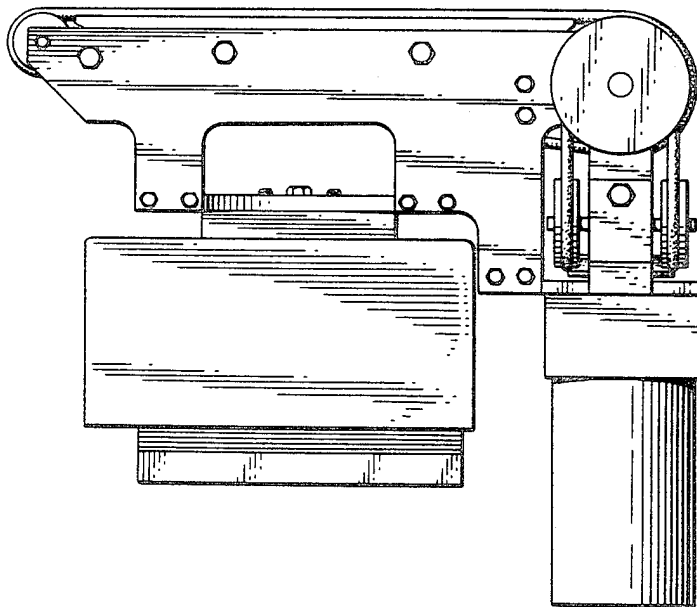
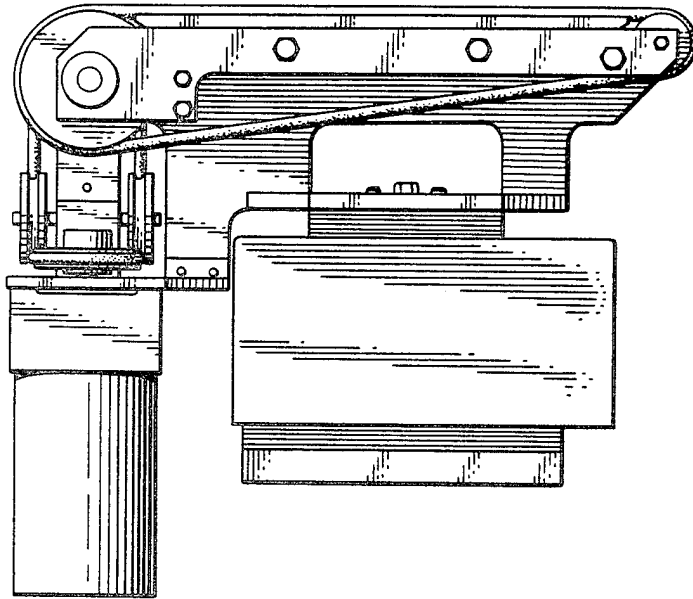


Fig. 2.

Fig. 3.

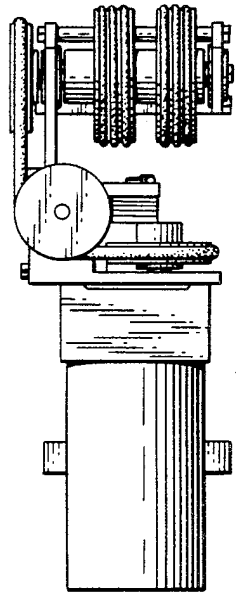
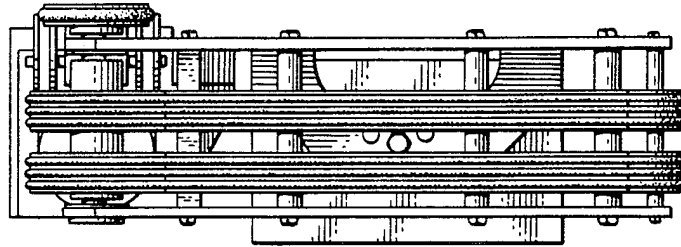


Fig. 4.

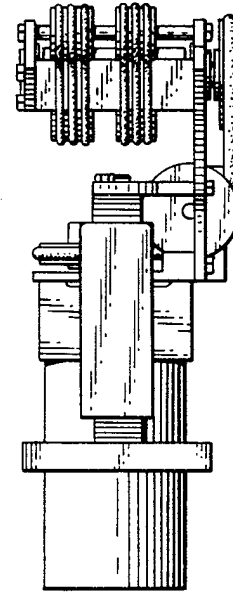


Fig. 5.

Fig. 6.

