

[54] PATIENT ALIGNER FOR RADIOGRAPHY

[76] Inventor: James A. Ransbottom, 11435 Hiview Ct., Marilla, N.Y. 14102

[\*\*] Term: 14 Years

[21] Appl. No.: 651,454

[22] Filed: Sep. 17, 1984

[52] U.S. Cl. .... D24/2; D21/191

[58] Field of Search ..... D24/2, 1.1; 378/193, 378/195, 205, 206, 209; 250/491.1

[56] References Cited

U.S. PATENT DOCUMENTS

D. 274,463	6/1984	Clark	.....	D24/2
2,903,588	9/1959	Minnich	.....	378/205
4,051,380	9/1977	Lasky	.....	378/195 X

OTHER PUBLICATIONS

Literature—"73 Andean Automatic Cassette Holder", GRAFAX, 2257 Saw Mill River Road, Elmsford, N.Y. 10523 10/79.

Literature—"Bucky Wall Stand 3 with catapult-

t-Bucky", SIEMENS Medical Engineering Group, printed in West Germany.

Primary Examiner—A. Hugo Word

Assistant Examiner—Stella M. Reid

Attorney, Agent, or Firm—Bean, Kauffman & Bean

[57] CLAIM

The ornamental design for a patient aligner for radiography, as shown and described.

DESCRIPTION

FIG. 1 is a front perspective view of a patient aligner for radiography showing my new design in position of use;

FIG. 2 is a front elevational view thereof in storage position;

FIG. 3 is a rear elevational view thereof in storage position;

FIG. 4 is a top plan view thereof in storage position;

FIG. 5 is a bottom plan view thereof in storage position;

FIG. 6 is an end elevational view thereof taken from the left of FIG. 2; and

FIG. 7 is an end elevational view thereof taken from the right of FIG. 2.

The broken line showing in FIG. 1 of a cassette holder is for illustrative purposes only.

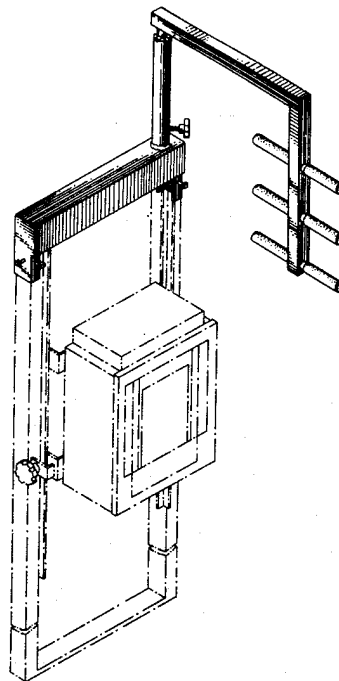


Fig. 1.

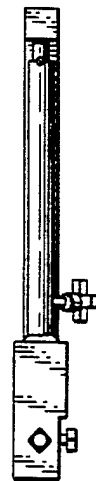
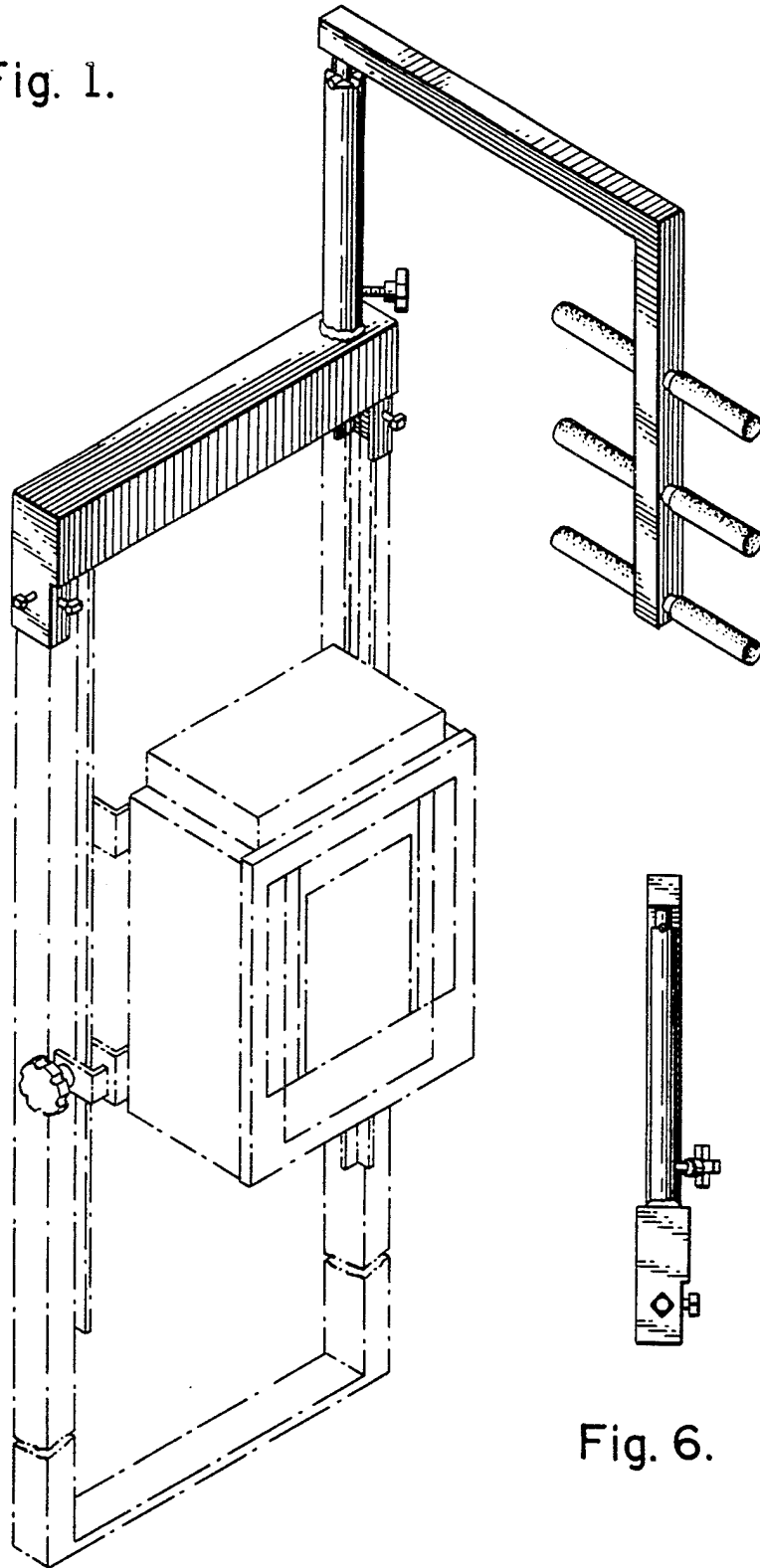


Fig. 6.

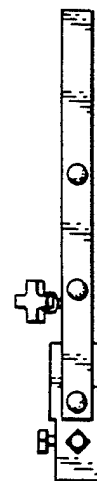


Fig. 7.

Fig. 2.

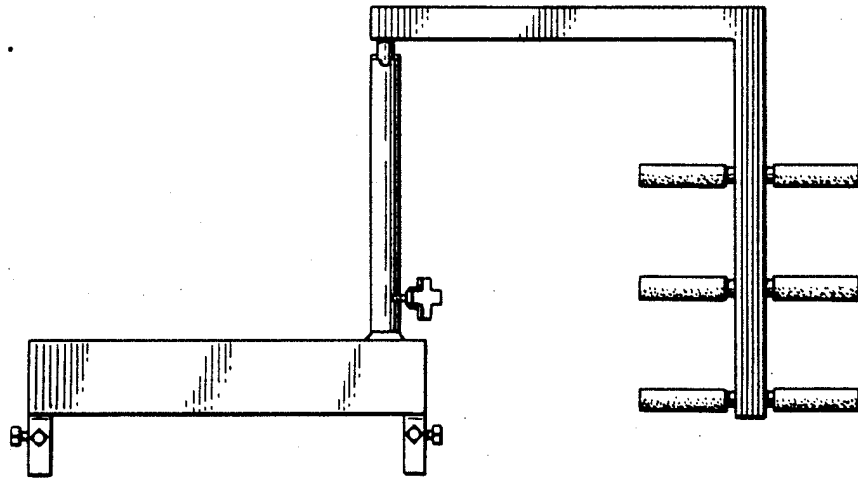


Fig. 3.

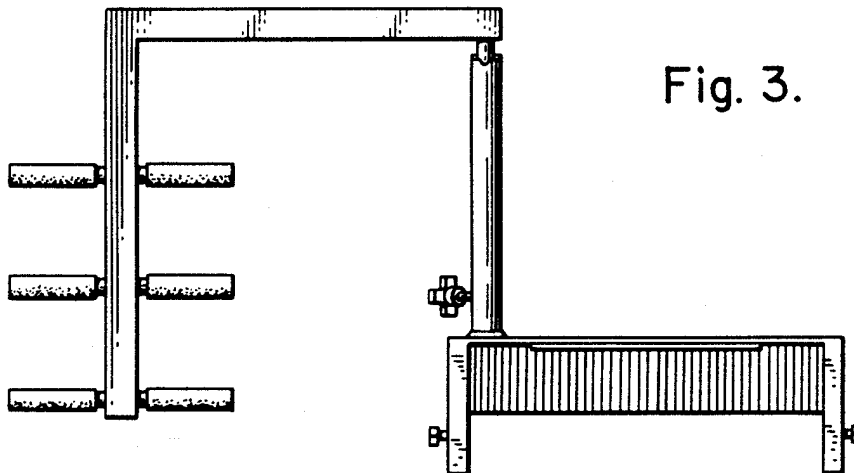


Fig. 4.



Fig. 5.

