

[54] UNIVERSAL PNEUMATIC SWIVEL

[75] Inventor: Paul W. Huber, Lancaster, N.Y.

[73] Assignee: Dynabrade, Inc., Tonawanda, N.Y.

[ \* ] Notice: The portion of the term of this patent subsequent to May 3, 2002 has been disclaimed.

[\*\*] Term: 14 Years

[21] Appl. No.: 766,588

[22] Filed: Aug. 19, 1985

Related U.S. Application Data

[63] Continuation-in-part of Ser. No. 707,140, Mar. 1, 1985.

[52] U.S. Cl. .... D23/264

[58] Field of Search ..... D23/259-269; 285/190, 272, 273

References Cited

U.S. PATENT DOCUMENTS

D. 258,078 1/1981 Gallagher et al. .... D23/263

D. 258,381	2/1981	Lewis .....	D23/263
D. 270,369	8/1983	Fleckenstein .....	D23/264
1,985,012	12/1934	Boehm .....	285/190
2,083,970	6/1937	Walter .....	285/168
3,166,252	1/1965	O'Brien et al. ....	285/190 X
3,210,099	10/1965	Franck .....	285/190
3,986,732	10/1976	Stanley .....	285/190 X
4,111,465	9/1978	Knight .....	285/168 X
4,142,741	3/1979	Fiala .....	285/190 X

Primary Examiner—James R. Largen  
Attorney, Agent, or Firm—Bean, Kauffman & Bean

[57] CLAIM

The ornamental design for a universal pneumatic swivel, as shown and described.

DESCRIPTION

FIG. 1 is a top plan view of a universal pneumatic swivel, showing my new design;  
FIG. 2 is a bottom plan view thereof;  
FIG. 3 is a side elevational view thereof;  
FIG. 4 is an opposite side elevational view thereof;  
FIG. 5 is a front elevational view thereof; and  
FIG. 6 is a rear elevational view thereof.

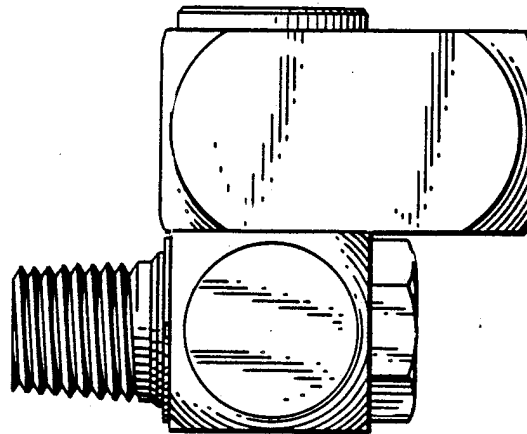


Fig. 1.

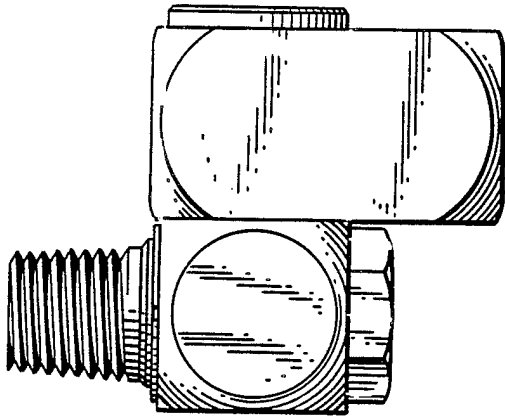


Fig. 2.

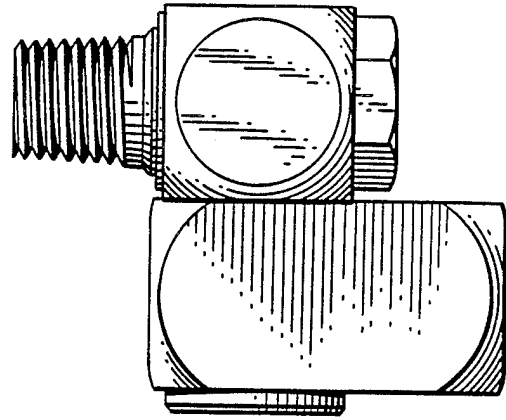


Fig. 3.

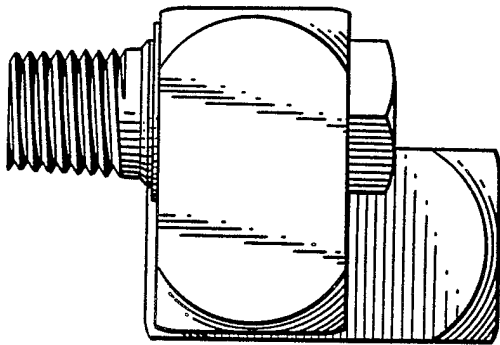


Fig. 4.

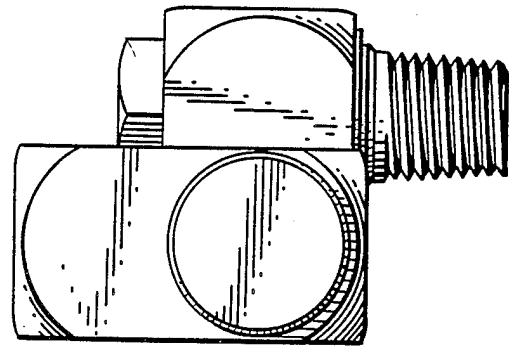


Fig. 5.

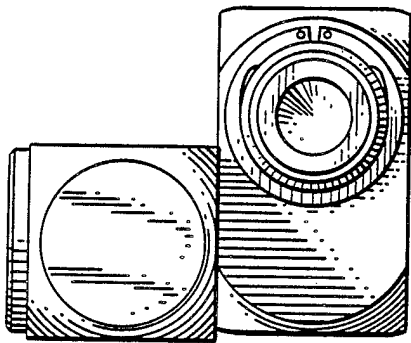


Fig. 6.

