

- [54] **LAZY SUSAN**
- [76] **Inventor: Wells F. Stackhouse, 124 Tamarisk Way, Leesburg, Fla. 32748**
- [**] **Term: 14 Years**
- [21] **Appl. No.: 767,893**
- [22] **Filed: Aug. 21, 1985**
- [52] **U.S. Cl. D7/2; D6/455; D7/81**
- [58] **Field of Search D7/2, 4, 23, 83, 81; D6/406, 511, 455; 211/129, 163; 108/139; 312/252, 285**

2,459,017	1/1949	Crew	108/139
2,678,253	5/1954	Rosenberg	312/285
3,848,943	11/1974	Geesaman et al.	312/284

Primary Examiner—Winifred E. Herrmann
Attorney, Agent, or Firm—Bean, Kauffman & Bean

[57] **CLAIM**

The ornamental design for a lazy susan, as shown and described.

DESCRIPTION

FIG. 1 is a perspective view of the top and one side of a lazy susan showing my new design with all the slide opening drawers thereof disposed in their normal closed position;

FIG. 2 is a perspective view showing the top and an opposite side thereof;

FIG. 3 is a side elevational view thereof, as viewed from the right in FIG. 1;

FIG. 4 is a side elevational view thereof, as viewed from the left in FIG. 1;

FIG. 5 is a side elevational view thereof, as generally viewed from the rear in FIG. 1; and

FIG. 6 is a side elevational view thereof, as generally viewed from the front in FIG. 1.

The undisclosed bottom of the lazy susan is conventional in appearance. The inner surfaces of the slide opening drawers are flat and unornamented.

[56] **References Cited**
U.S. PATENT DOCUMENTS

62,903	3/1867	Stewart	312/252
127,976	6/1872	Hoyt	312/252 X
D. 169,143	3/1953	Karoff	D7/38 X
D. 203,696	2/1966	Page	D52/2
271,054	1/1883	Fowler	108/139
273,834	3/1883	Gardiner	312/252
535,195	3/1895	Creelman et al.	312/323
655,275	8/1900	Roth	312/285
1,015,664	1/1912	Booth	312/209 X
1,033,458	7/1912	Pattillo	312/252 X
2,354,835	8/1944	Rosenberg	312/150

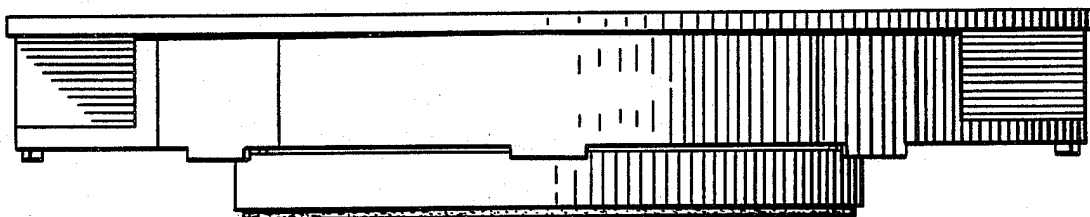
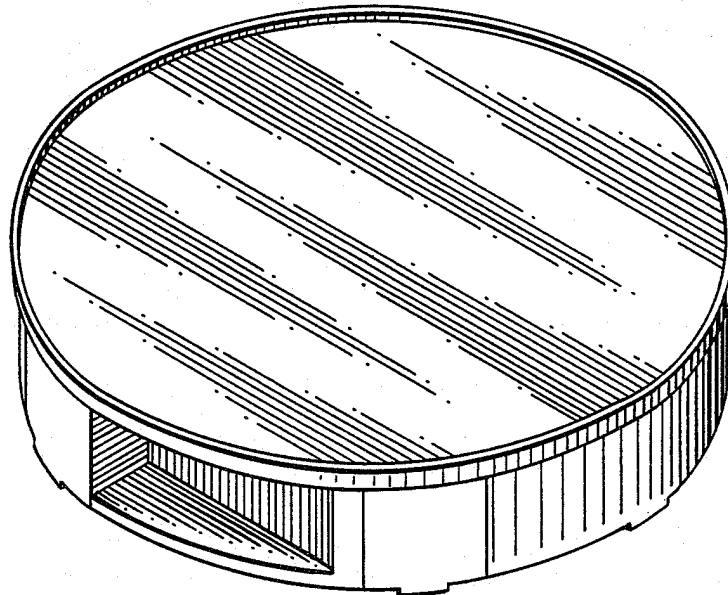


Fig. 1.

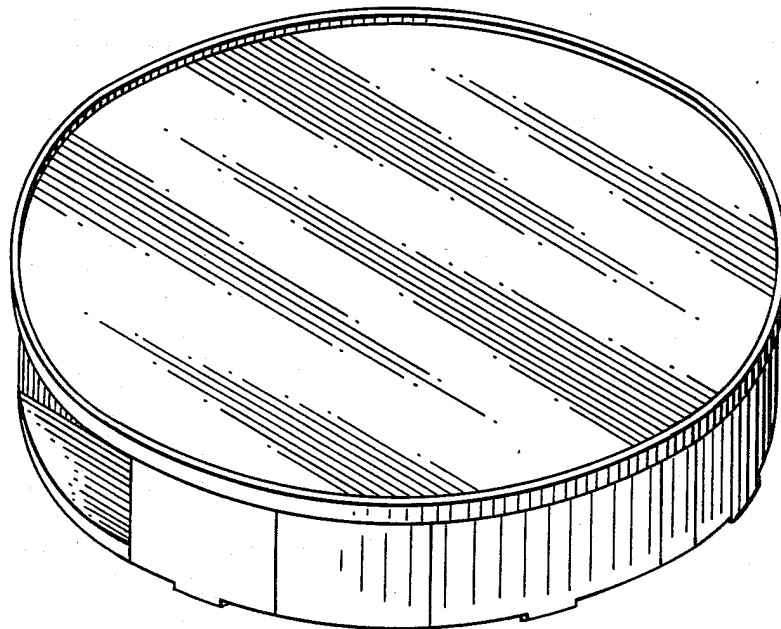


Fig. 2.

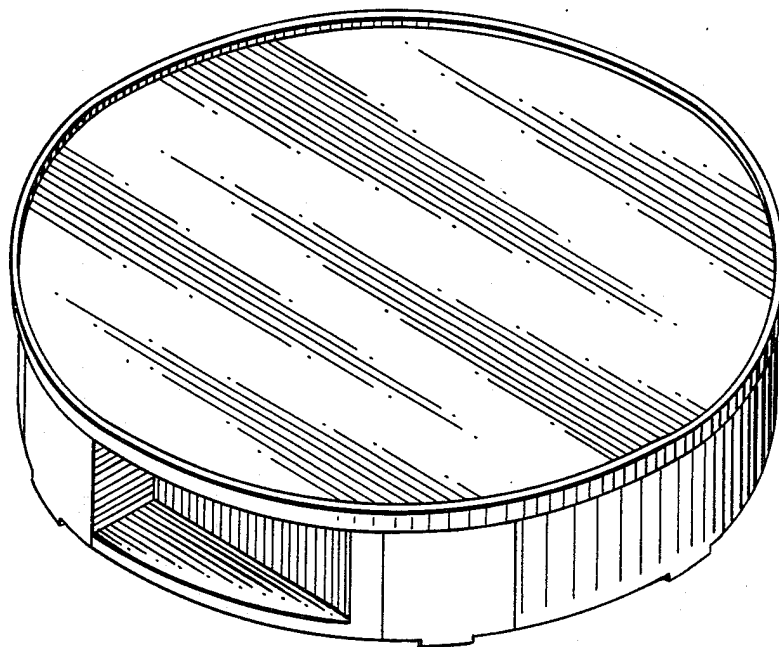


Fig. 3.

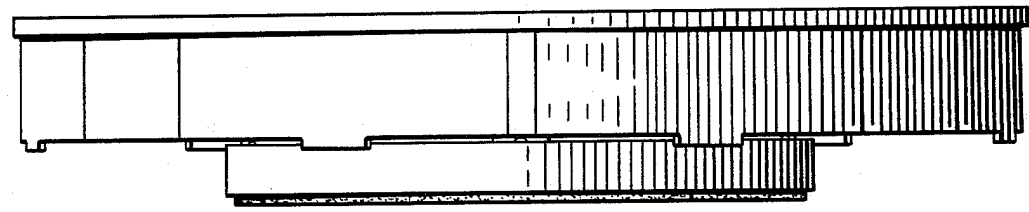


Fig. 4.

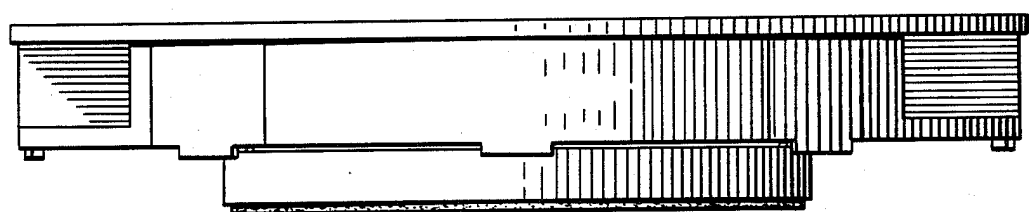


Fig. 5.

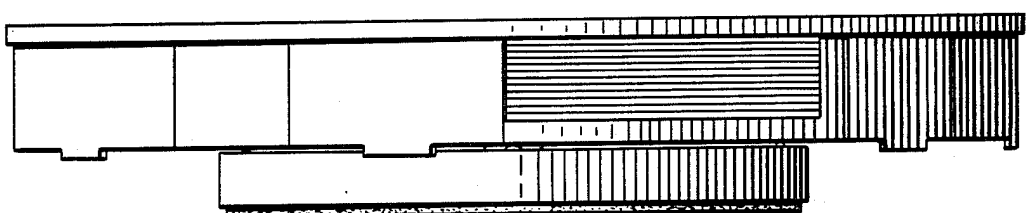


Fig. 6.

