

[54] TOY RIDING VEHICLE

[75] Inventor: Jerry L. King, Snyder, N.Y.

[73] Assignee: Kingsbury Toy Products, Ltd., Buffalo, N.Y.

[**] Term: 14 Years

[21] Appl. No.: 18,957

[22] Filed: Feb. 25, 1987

[52] U.S. Cl. D21/78

[58] Field of Search D12/6, 7, 10, 18, 19, D12/20; D21/71, 73, 76, 78, 79, 124, 128, 129, 134, 135, 136, 140; 280/87.01

[56] References Cited

U.S. PATENT DOCUMENTS

- D. 189,582 1/1961 Gurr D21/78
- D. 203,843 2/1966 Campbell et al. D21/136

- D. 220,509 4/1971 Schreckengost D21/78
- D. 221,567 8/1971 Cook et al. D21/78
- D. 282,676 2/1986 Effier et al. D21/136

Primary Examiner—Charles A. Rademaker

Assistant Examiner—Alicia A. Farrell

Attorney, Agent, or Firm—Bean, Kauffman & Spencer

[57] CLAIM

The ornamental design for a toy riding vehicle, as shown and described.

DESCRIPTION

FIG. 1 is a perspective view of the front, top and one side of a toy riding vehicle showing my new design; FIG. 2 is a front elevational view thereof; FIG. 3 is a rear elevational view thereof; FIG. 4 is a top plan view thereof; and FIG. 5 is a side elevational view thereof, the side opposite being a mirror image.

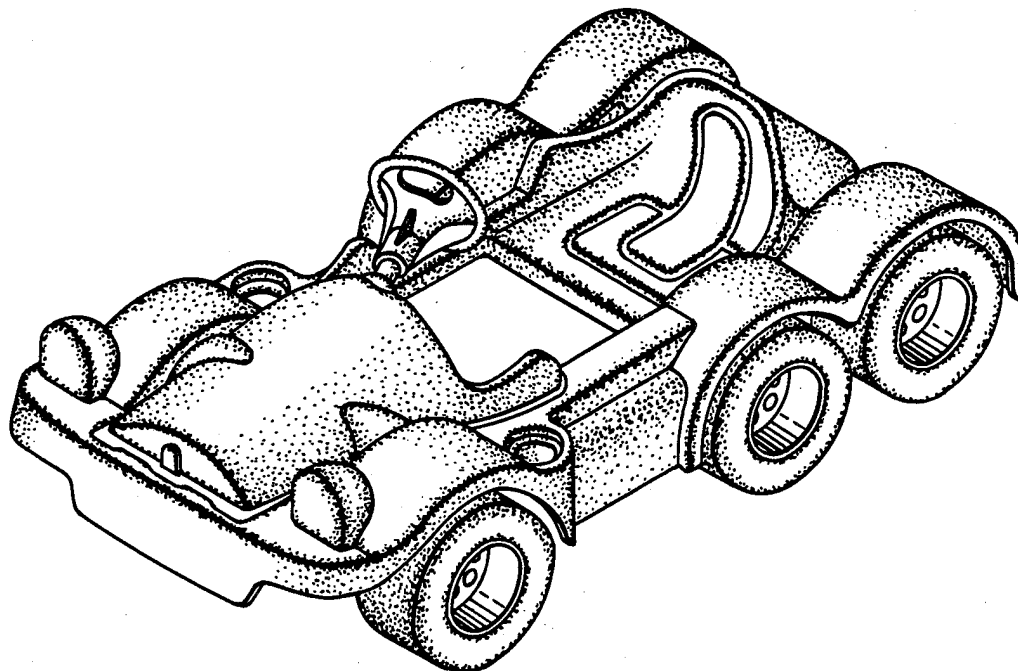


Fig. 1.

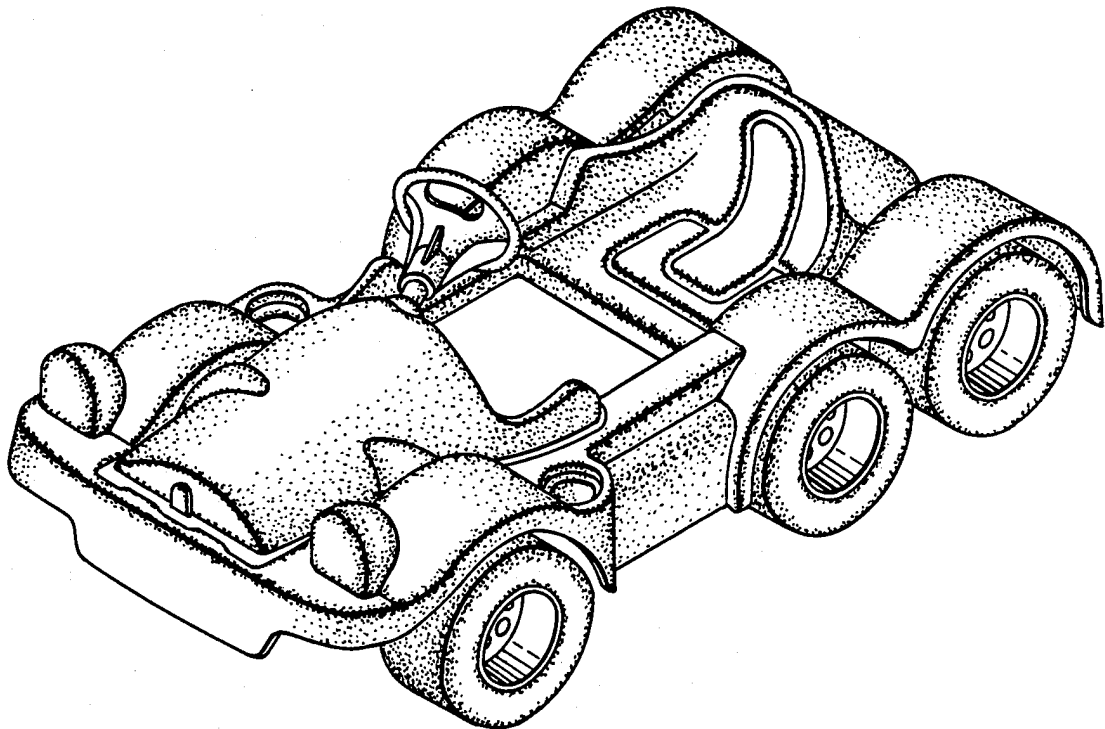


Fig. 2.

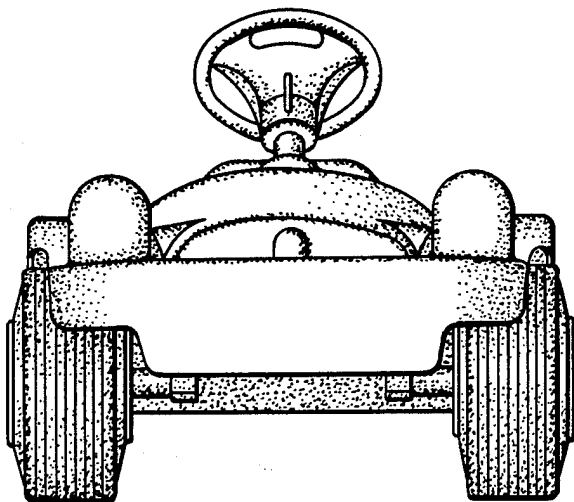
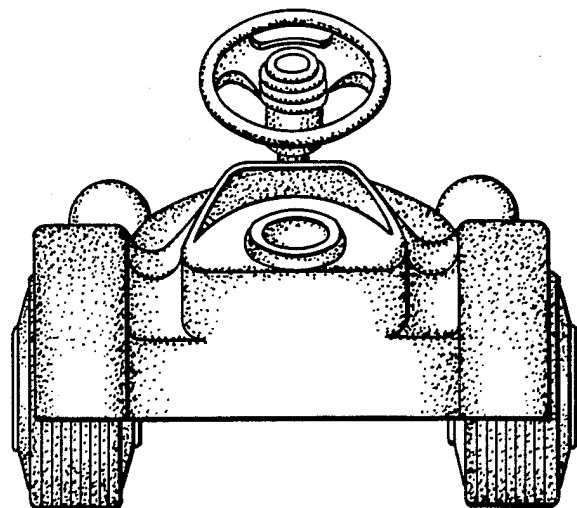


Fig. 3.



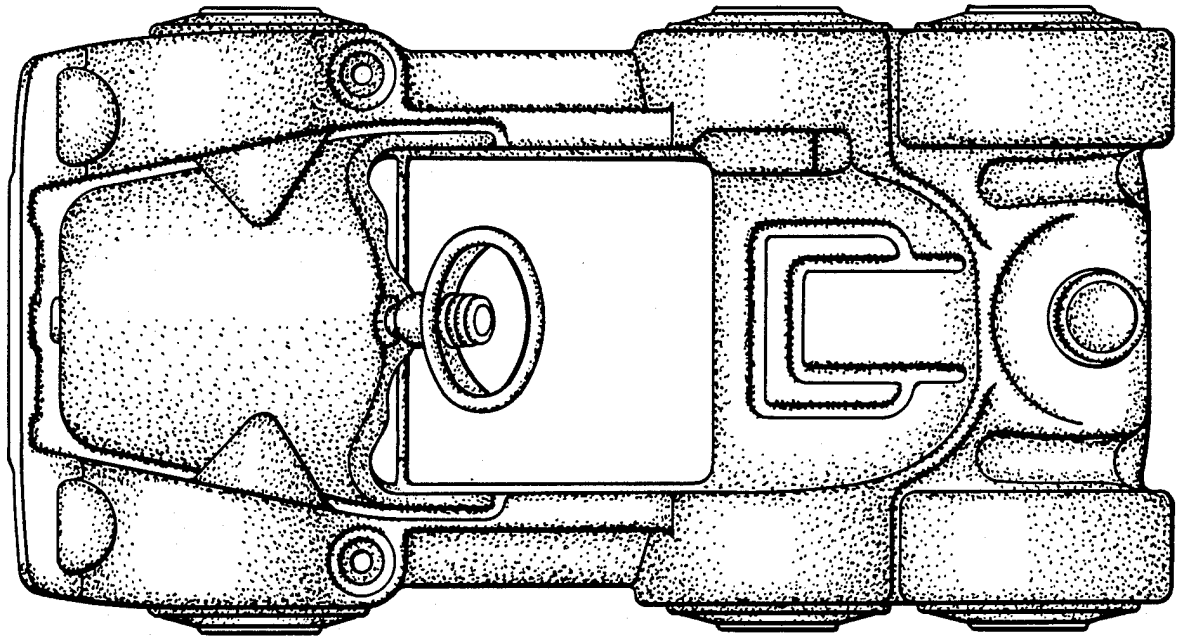


Fig. 4.

Fig. 5.

