

[54] PROTECTIVE COVER FOR A ROTATABLE TURRET ASSEMBLY AND OBJECTIVES OF AN INVERTED MICROSCOPE

[56] References Cited

U.S. PATENT DOCUMENTS

2,285,658 6/1942 Hitchcock ..... 350/589  
4,385,812 5/1983 Wille et al. .... 350/587

[75] Inventor: Paul A. Hoogesteger, Penfield, N.Y.

Primary Examiner—Wallace R. Burke  
Assistant Examiner—Stella M. Reid  
Attorney, Agent, or Firm—Bean, Kauffman & Spencer

[73] Assignee: Cambridge Instruments, Inc., Cheektowaga, N.Y.

[57] CLAIM

The ornamental design for a protective cover for a rotatable turret assembly and objectives of an inverted microscope, as shown and described.

[\*\*] Term: 14 Years

DESCRIPTION

[21] Appl. No.: 36,391

FIG. 1 is a top perspective view of a protective cover for a rotatable turret assembly and objectives of an inverted microscope, showing my new design; FIG. 2 is a bottom perspective view thereof; FIG. 3 is a side view of the protective cover taken in the direction indicated by line 3—3 of FIG. 1; and FIG. 4 is a side view thereof taken in the direction of line 4—4 of FIG. 1.

[22] Filed: Apr. 9, 1987

[52] U.S. Cl. .... D16/131

[58] Field of Search ..... D16/131, 130, 136;  
350/589, 587, 585, 562, 507-536, 502, 580, 579,  
573, 319, 321, 520, 254, 252

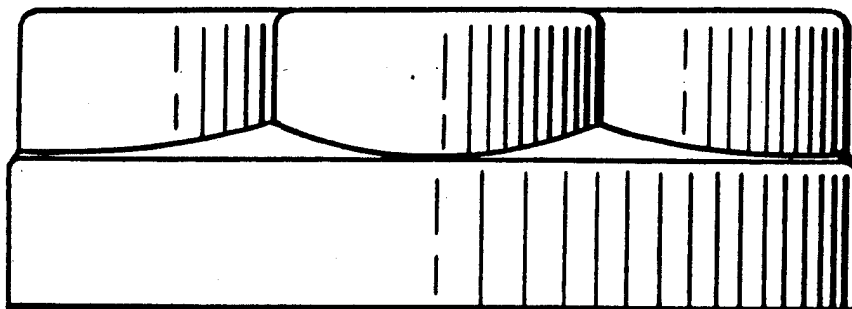
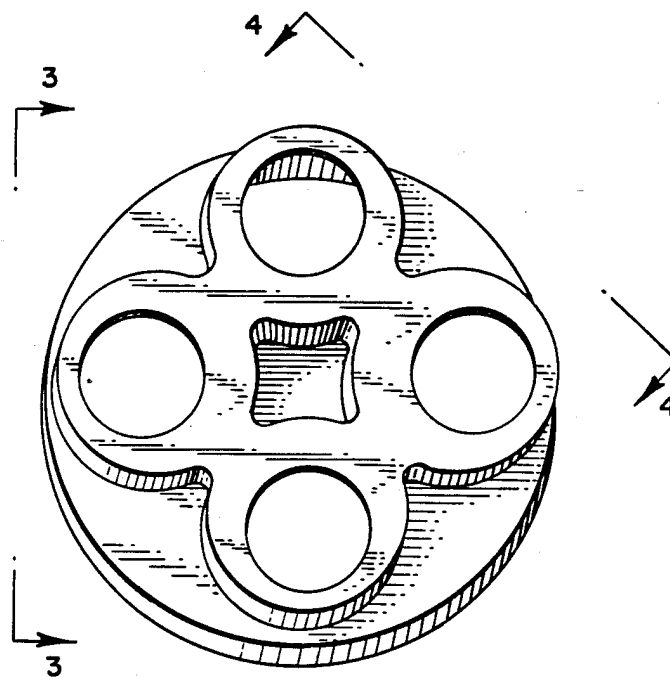


Fig. 1.

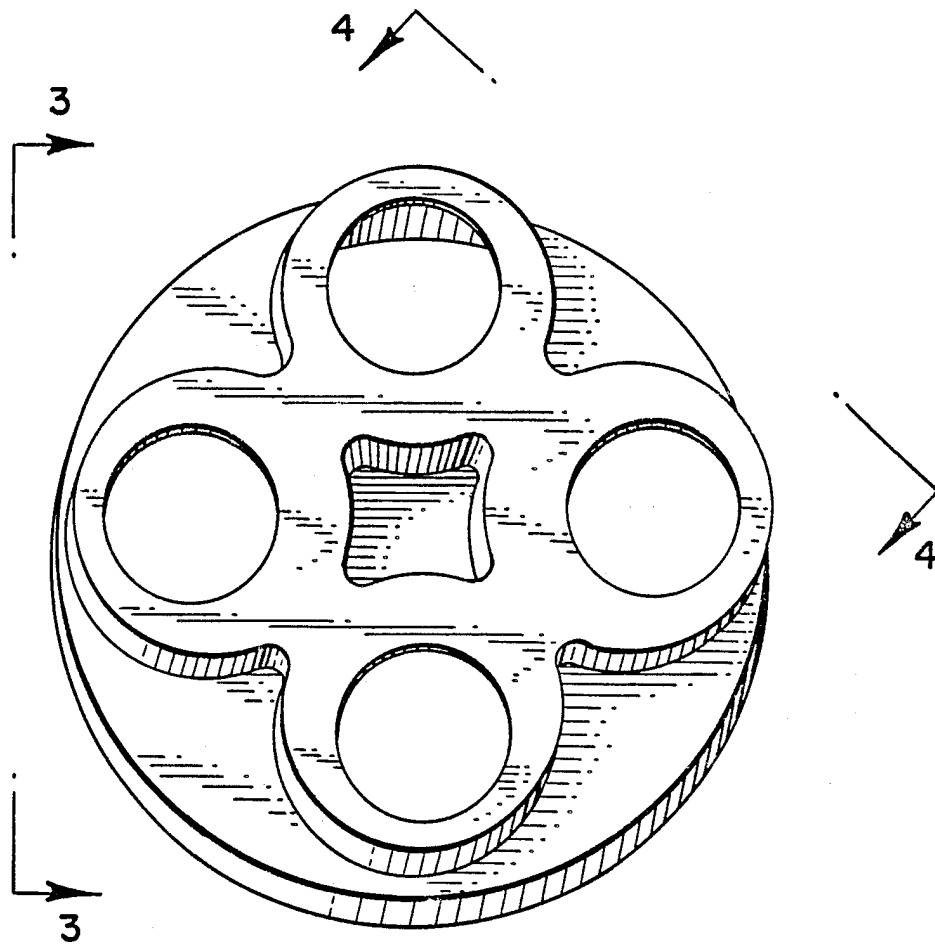


Fig. 2.

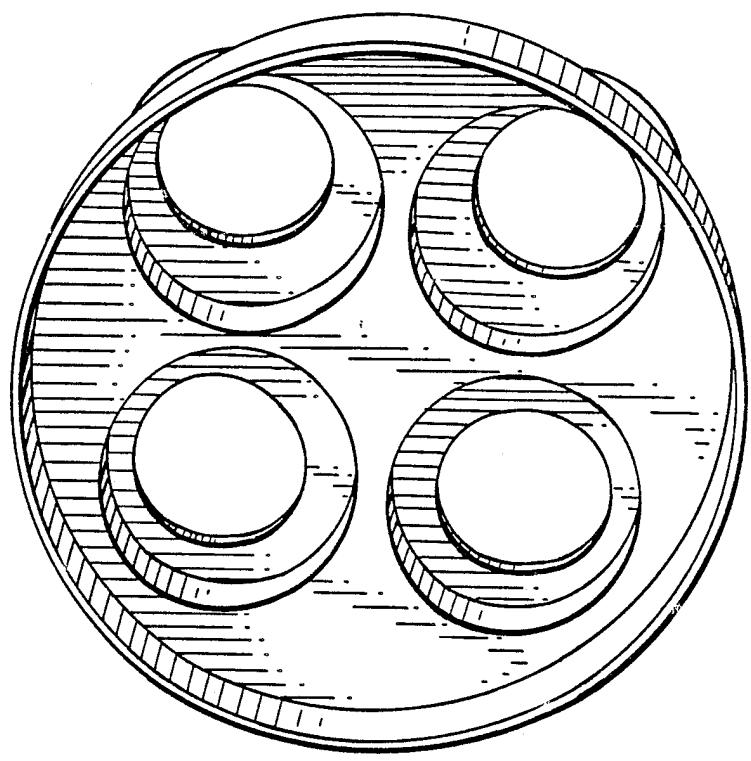


Fig. 3.

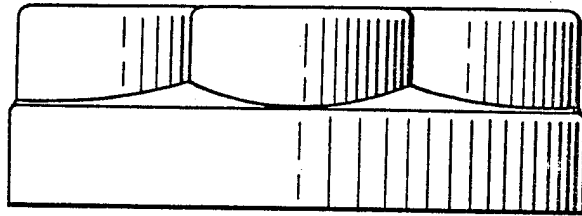


Fig. 4.

