

- [54] UNIVERSAL PNEUMATIC SWIVEL
- [75] Inventor: Paul W. Huber, Lancaster, N.Y.
- [73] Assignee: Dynabrade, Inc., Tonawanda, N.Y.
- [\*] Notice: The portion of the term of this patent subsequent to May 3, 2002 has been disclaimed.
- [\*\*] Term: 14 Years
- [21] Appl. No.: 154,607
- [22] Filed: Feb. 10, 1988

1,985,012	12/1934	Boehm	285/190
2,083,970	6/1937	Walter	285/168
3,166,252	1/1965	O'Brien et al.	285/190 X
3,210,099	10/1965	Franck	285/190
3,986,732	10/1976	Stanley	285/190 X
4,111,465	9/1978	Knight	285/168 X
4,142,741	3/1979	Fiala	285/190 X

**Related U.S. Application Data**

- [63] Continuation-in-part of Ser. No. 766,588, Aug. 19, 1985, Pat. No. Des. 295,553, which is a continuation-in-part of Ser. No. 707,140, Mar. 1, 1985, Pat. No. Des. 295,552.
- [52] U.S. Cl. D23/264
- [58] Field of Search D23/264

**References Cited**

**U.S. PATENT DOCUMENTS**

D. 258,078	1/1981	Gallagher et al.	D23/263
D. 258,381	2/1981	Lewis	D23/263
D. 270,369	8/1983	Fleckenstein	D23/264
D. 295,552	5/1988	Huber	D23/264
D. 295,553	5/1988	Huber	D23/264

**OTHER PUBLICATIONS**

Parker Hannifin, Hose Products Division, 3000 P.S.I. Hydraulic Swivels, p. 94.  
 Parker Hannifin, Hose Products Division, Replacement Seal Kits for Hydraulic Swivels, p. 97.

*Primary Examiner*—James R. Largen  
*Assistant Examiner*—Demetrius Reynolds  
*Attorney, Agent, or Firm*—Bean, Kauffman & Spencer

[57] **CLAIM**

The ornamental design for a universal pneumatic swivel, as shown.

**DESCRIPTION**

FIG. 1 is a top plan view of a universal pneumatic swivel showing my new design;  
 FIG. 2 is a bottom plan view thereof;  
 FIG. 3 is a side elevational view thereof;  
 FIG. 4 is an opposite side elevational view thereof;  
 FIG. 5 is a front elevational view thereof; and  
 FIG. 6 is a rear elevational view thereof.

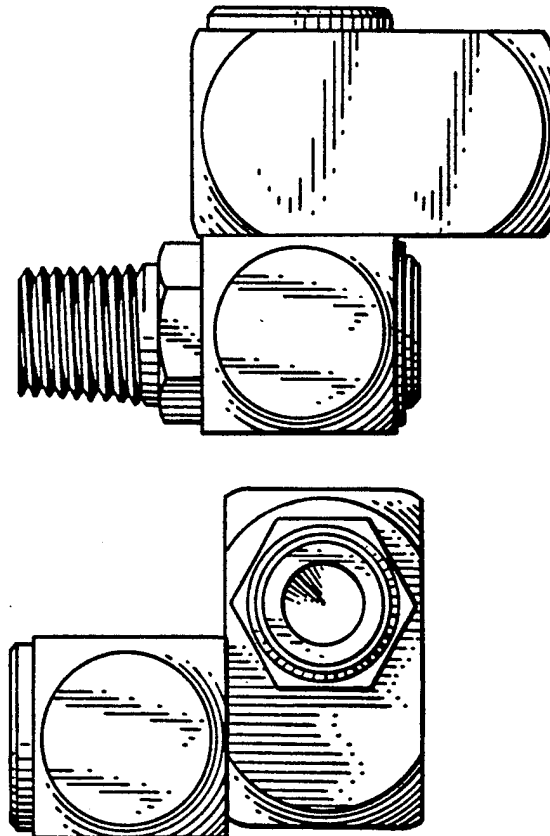


Fig. 1.

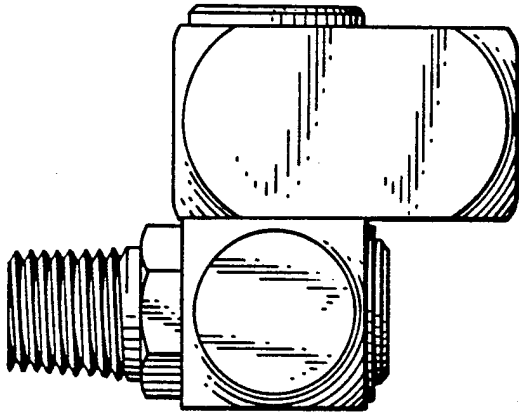


Fig. 2.

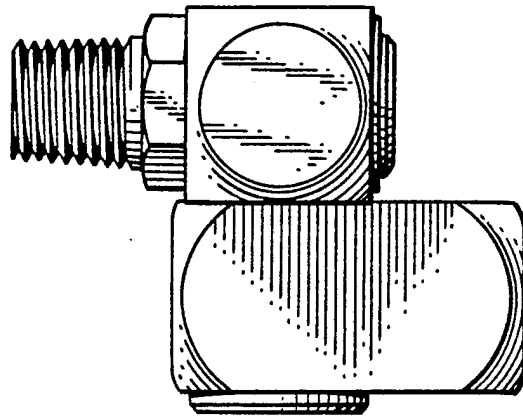


Fig. 3.

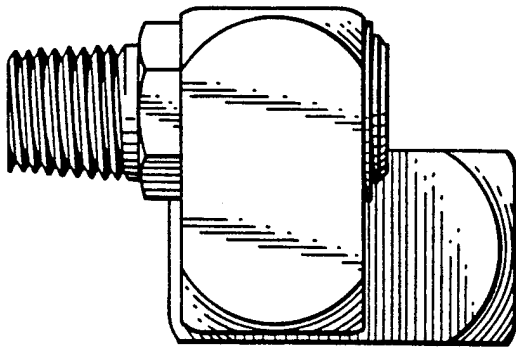


Fig. 4.

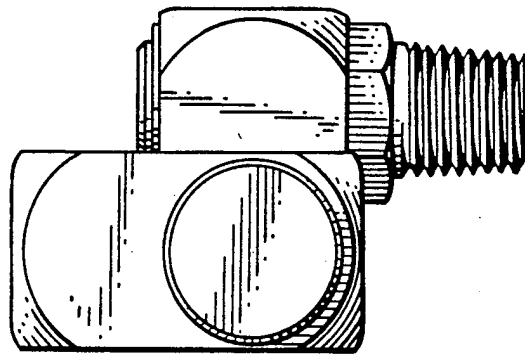


Fig. 5.

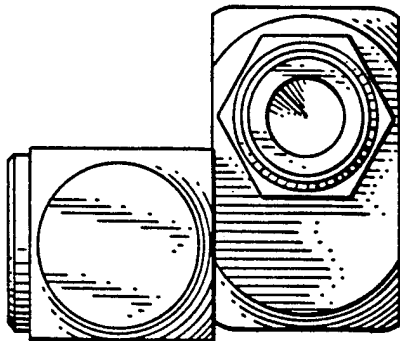


Fig. 6.

