

- [54] **OPHTHALMIC PROJECTOR**
- [75] Inventor: **Werner Höelbl**, Vienna, Austria
- [73] Assignee: **Cambridge Instruments Inc.**, Buffalo, N.Y.
- [\*\*] Term: **14 Years**
- [21] Appl. No.: **245,547**
- [22] Filed: **Sep. 19, 1988**
- [52] U.S. Cl. .... **D24/150; D16/221**
- [58] Field of Search ..... **D24/17; D10/46; 351/1, 351/6, 7, 23, 24, 27, 28, 39, 200**

- [56] **References Cited**  
**U.S. PATENT DOCUMENTS**  
D. 280,549 9/1985 Seager ..... D24/8  
1,887,708 11/1932 Cameron ..... 351/200

3,181,351 5/1965 Stauffer ..... 351/200  
4,802,756 2/1989 Feinbloom ..... 351/200

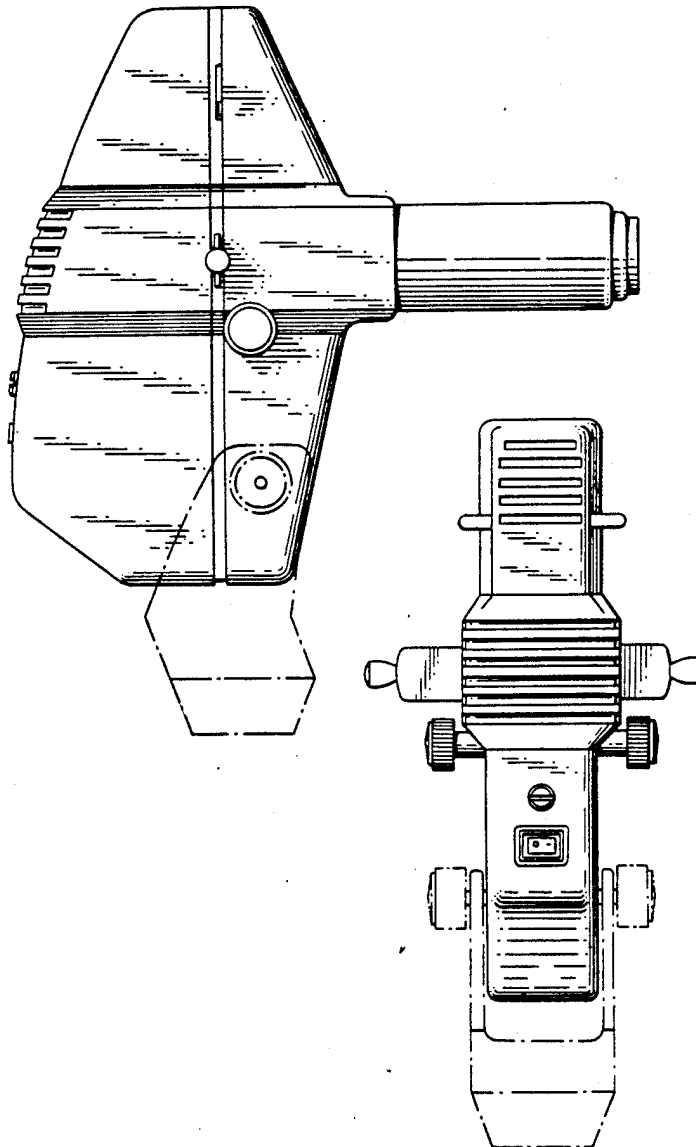
*Primary Examiner*—Wallace R. Burke  
*Assistant Examiner*—Marcus Jackson  
*Attorney, Agent, or Firm*—Bean, Kauffman & Spencer

[57] **CLAIM**

The ornamental design for an ophthalmic projector, as shown and described.

**DESCRIPTION**

FIG. 1 is a left side elevational view of an ophthalmic projector showing my new design with the broken lines showing for illustrative purposes only and forming no part of the claimed design;  
FIG. 2 is a top plan view thereof;  
FIG. 3 is a rear elevational view thereof;  
FIG. 4 is a front elevational view thereof; and  
FIG. 5 is a bottom plan view thereof.



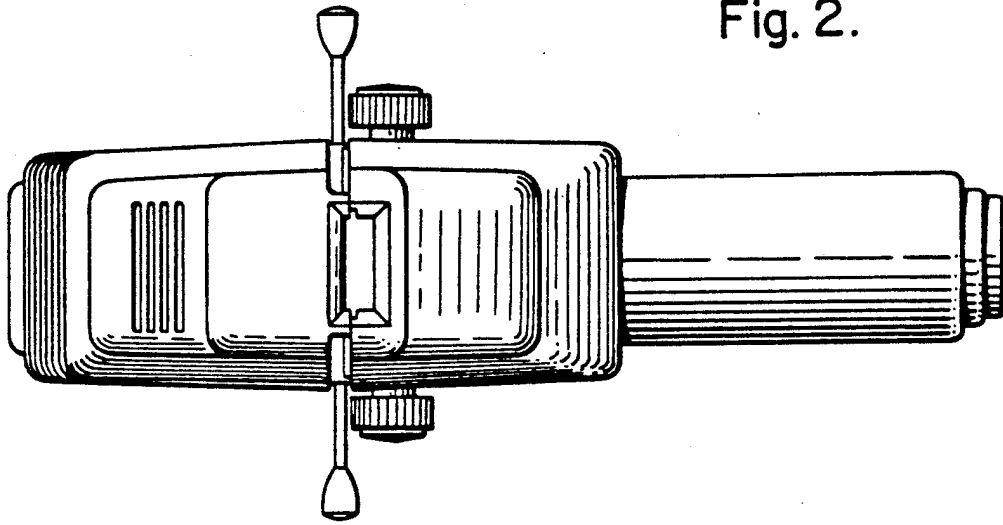


Fig. 2.

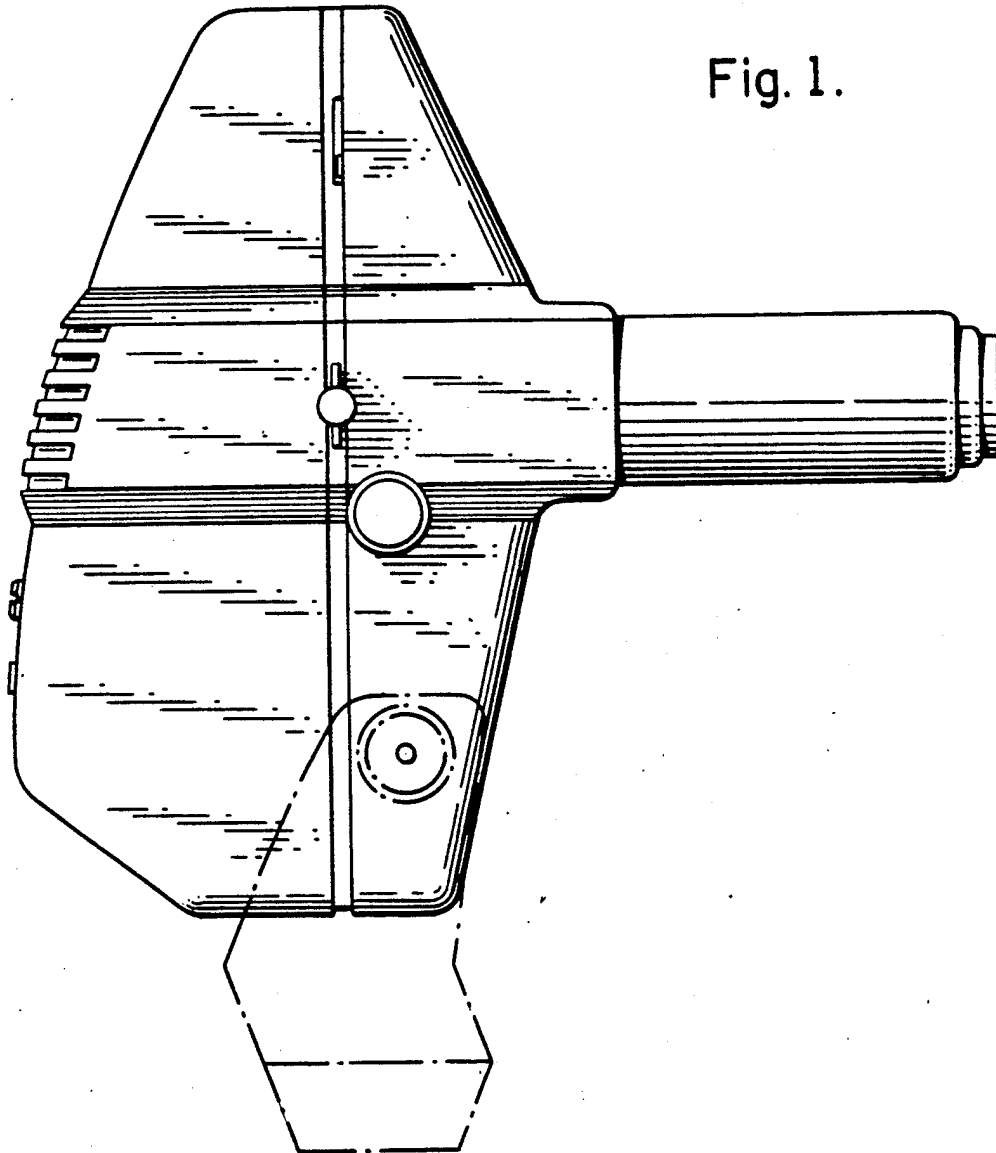


Fig. 1.

Fig. 3.

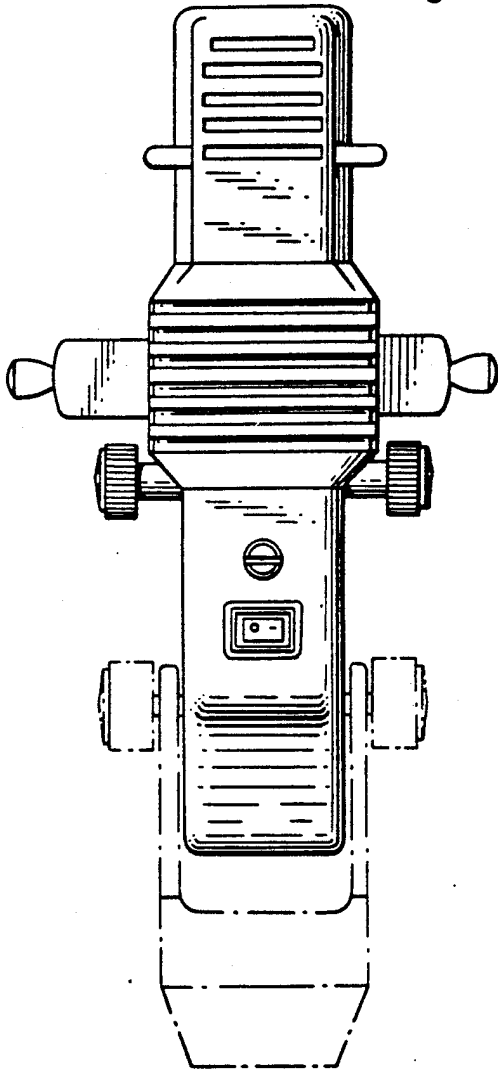


Fig. 4.

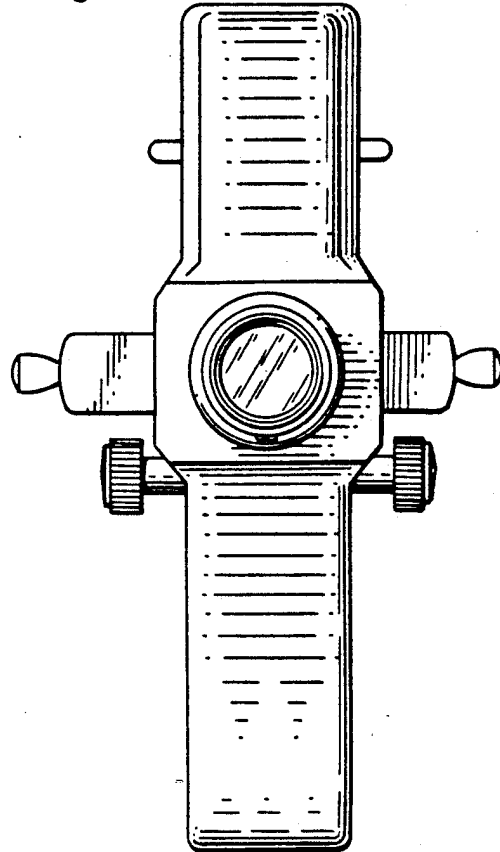


Fig. 5.

