



US00D326860S

# United States Patent [19]

[11] Patent Number: **Des. 326,860**

Holbl

[45] Date of Patent: **\*\* Jun. 9, 1992**

[54] **MICROTOME TOOL HOLDER**

[56] **References Cited**

[75] Inventor: **Werner Holbl, Vienna, Austria**

### U.S. PATENT DOCUMENTS

4,262,567 4/1981 Bettin ..... 83/915.5 X  
5,050,470 9/1991 Ward ..... 83/915.5 X

[73] Assignee: **Leica Instruments GmbH, Nussloch, Fed. Rep. of Germany**

### FOREIGN PATENT DOCUMENTS

2151368 7/1985 United Kingdom ..... 83/915.5  
2182881 5/1987 United Kingdom ..... 83/915.5

[\*\*] Term: **14 Years**

*Primary Examiner*—Donald P. Walsh  
*Assistant Examiner*—Antoine D. Davis  
*Attorney, Agent, or Firm*—Bean, Kauffman & Spencer

[21] Appl. No.: **486,198**

### [57] CLAIM

[22] Filed: **Feb. 28, 1990**

The ornamental design for a microtome tool holder, as shown.

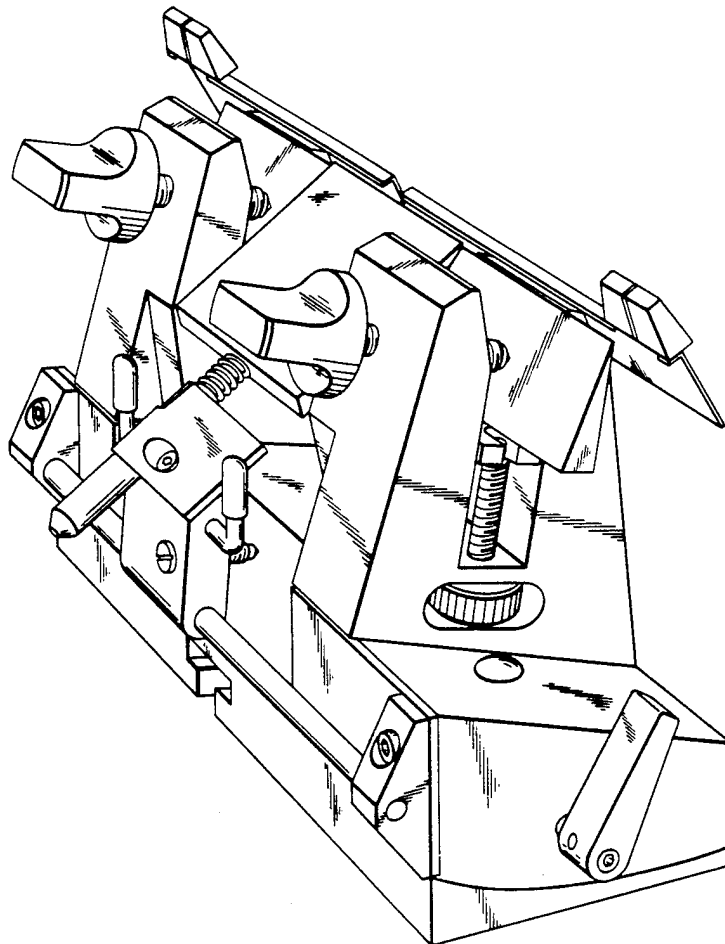
### [30] Foreign Application Priority Data

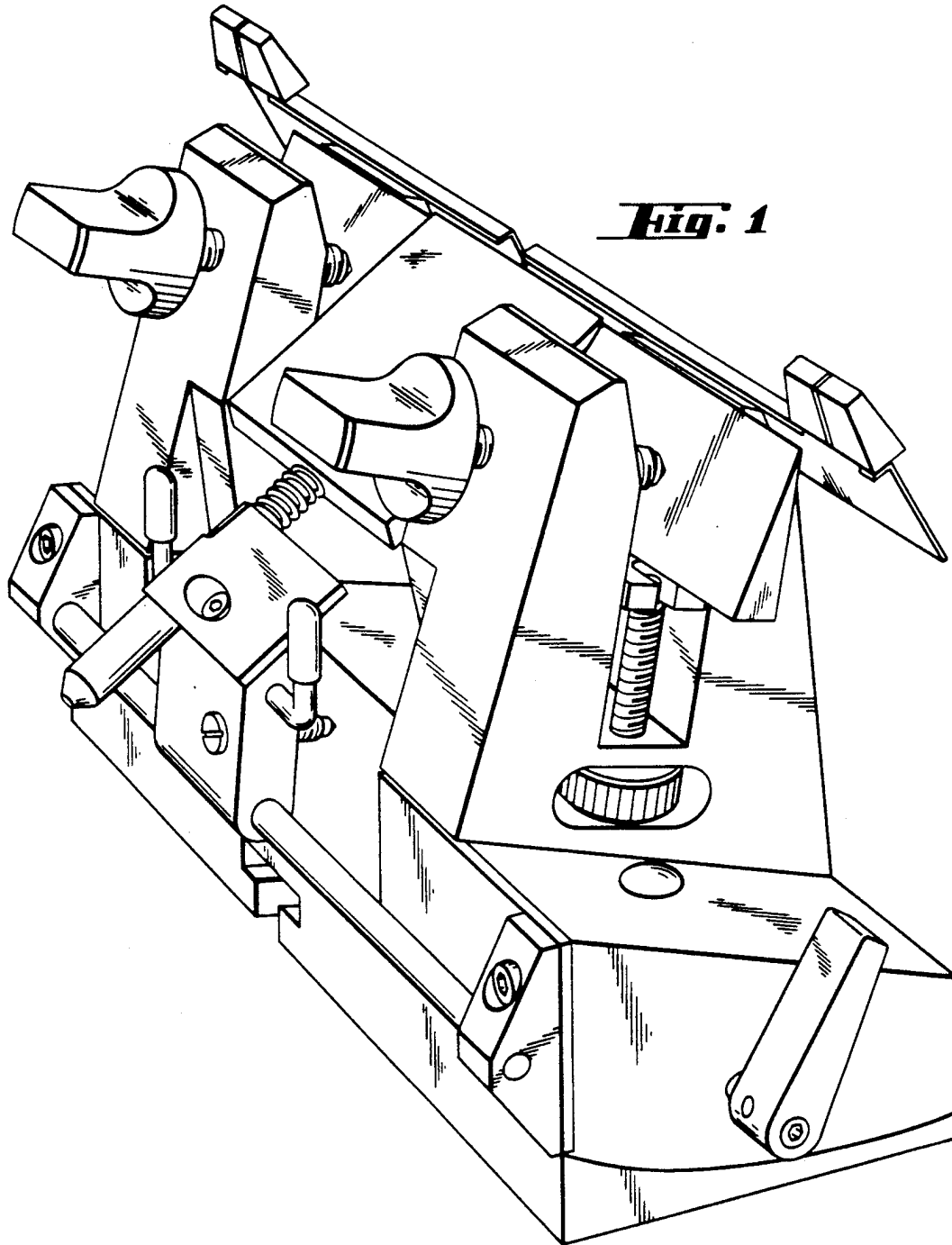
Aug. 29, 1989 [DE] Fed. Rep. of Germany ..... M 89 06 132.2

### DESCRIPTION

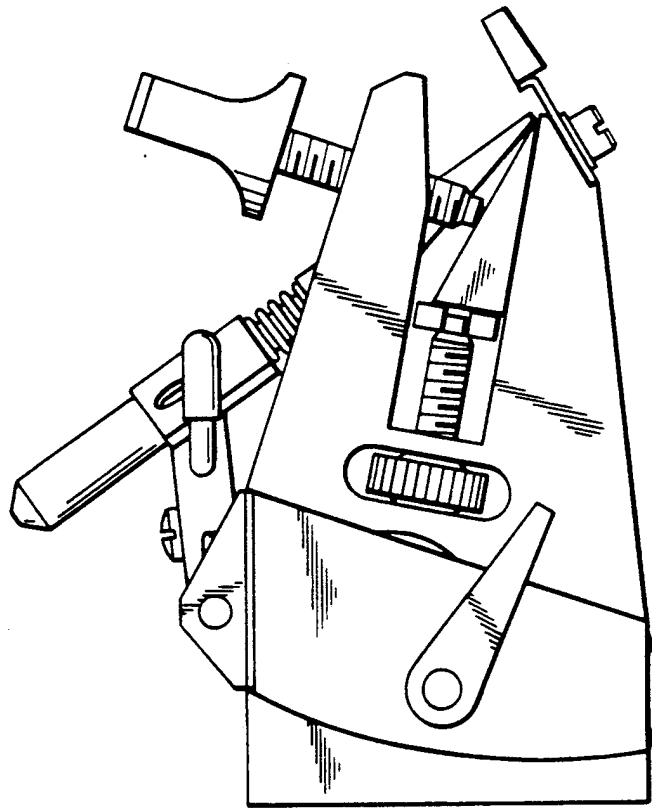
[52] U.S. Cl. .... **D15/140**  
[58] Field of Search ..... **D15/140; 83/700, 703, 83/857, 915.5; 144/155, 175; 269/153, 239, 100**

FIG. 1 is a perspective view of a microtome tool holder showing my new design; FIG. 2 is a left side elevational view; FIG. 3 is a front elevational view; FIG. 4 is a top plan view; and, FIG. 5 is a rear elevational view thereof.

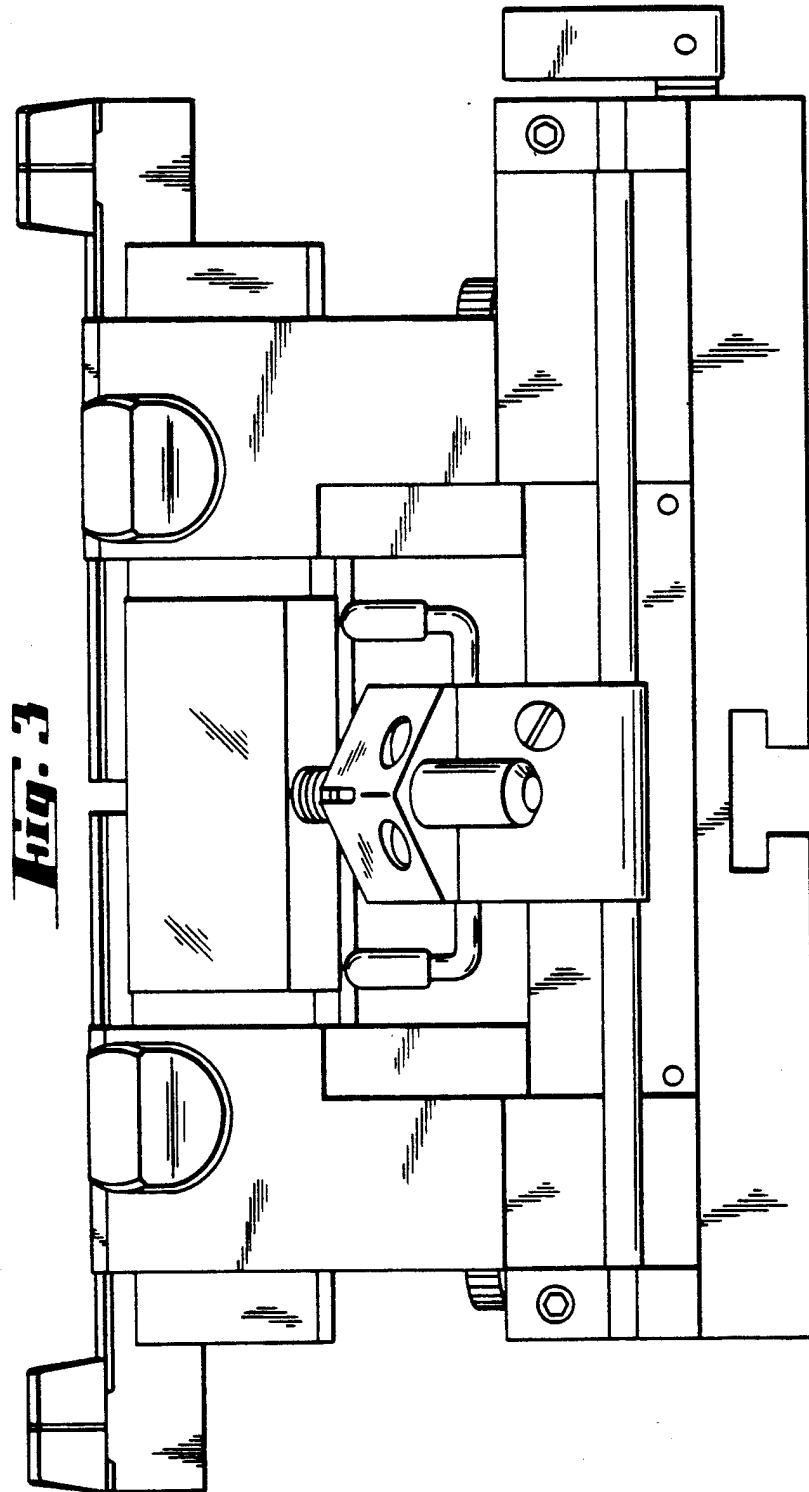




***Fig. 1***



***Fig. 2***



**Fig. 4**

