



US00D326921S

United States Patent [19]

[11] Patent Number: **Des. 326,921**

Hölbl

[45] Date of Patent: **** Jun. 9, 1992**

[54] **ROTATION MICROTOME**
 [75] Inventor: **Werner Hölbl, Vienna, Austria**
 [73] Assignee: **Leica Instruments GmbH, Nussloch, Fed. Rep. of Germany**
 [**] Term: **14 Years**
 [21] Appl. No.: **509,614**
 [22] Filed: **Apr. 16, 1990**

3,091,144 5/1963 Villalubus 83/915.5 X
 3,191,476 6/1965 McCormick 83/915.5 X
 3,212,379 10/1965 McCormick et al. D24/216 X
 4,317,401 3/1982 Disharoon 83/915.5 X

Primary Examiner—Stella Reid
Attorney, Agent, or Firm—Bean, Kauffman & Spencer

[30] **Foreign Application Priority Data**
 Oct. 18, 1989 [DE] Fed. Rep. of Germany 8907365.7
 [52] U.S. Cl. **D24/216**
 [58] Field of Search D24/216; 83/915.5, 856

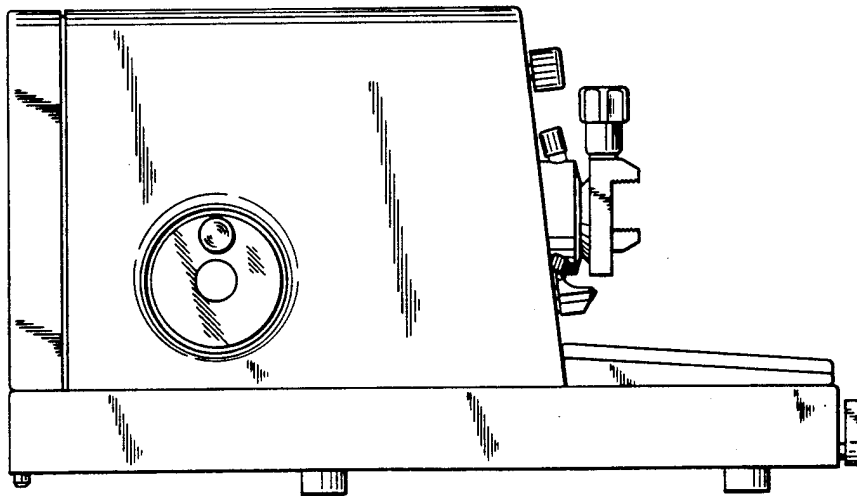
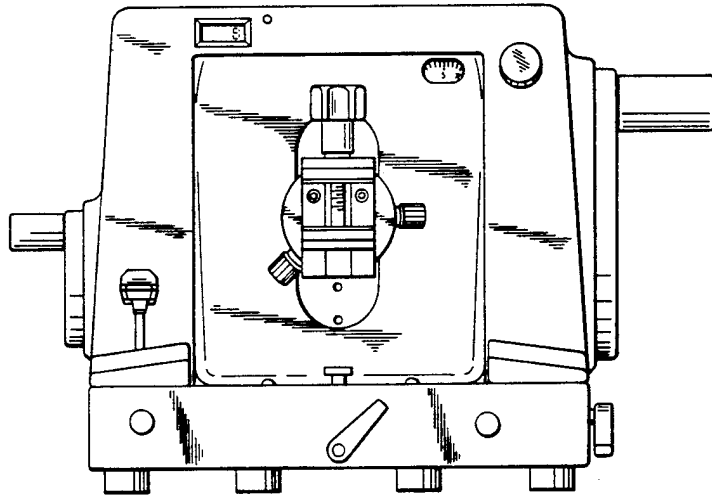
[57] CLAIM

The ornamental design for a rotation microtome, as shown.

DESCRIPTION

FIG. 1 is a front elevational view of a rotation microtome showing my new design;
 FIG. 2 is a left side elevational view of FIG. 1;
 FIG. 3 is a right side elevational view of FIG. 1;
 FIG. 4 is a top plan view of FIG. 1; and,
 FIG. 5 is a rear elevational view of FIG. 1.
 The bottom of the article is substantially plain and unornamented.

[56] **References Cited**
U.S. PATENT DOCUMENTS
 D. 96,231 7/1935 Fassin D24/216



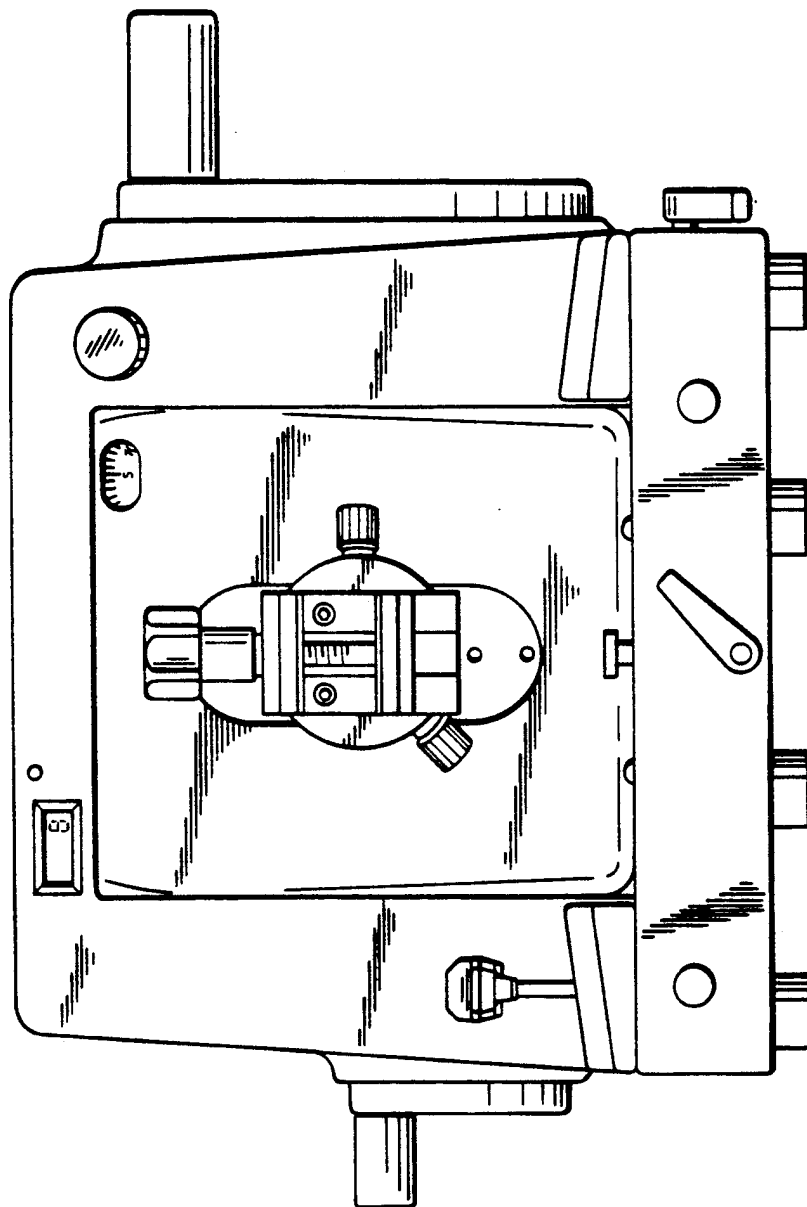
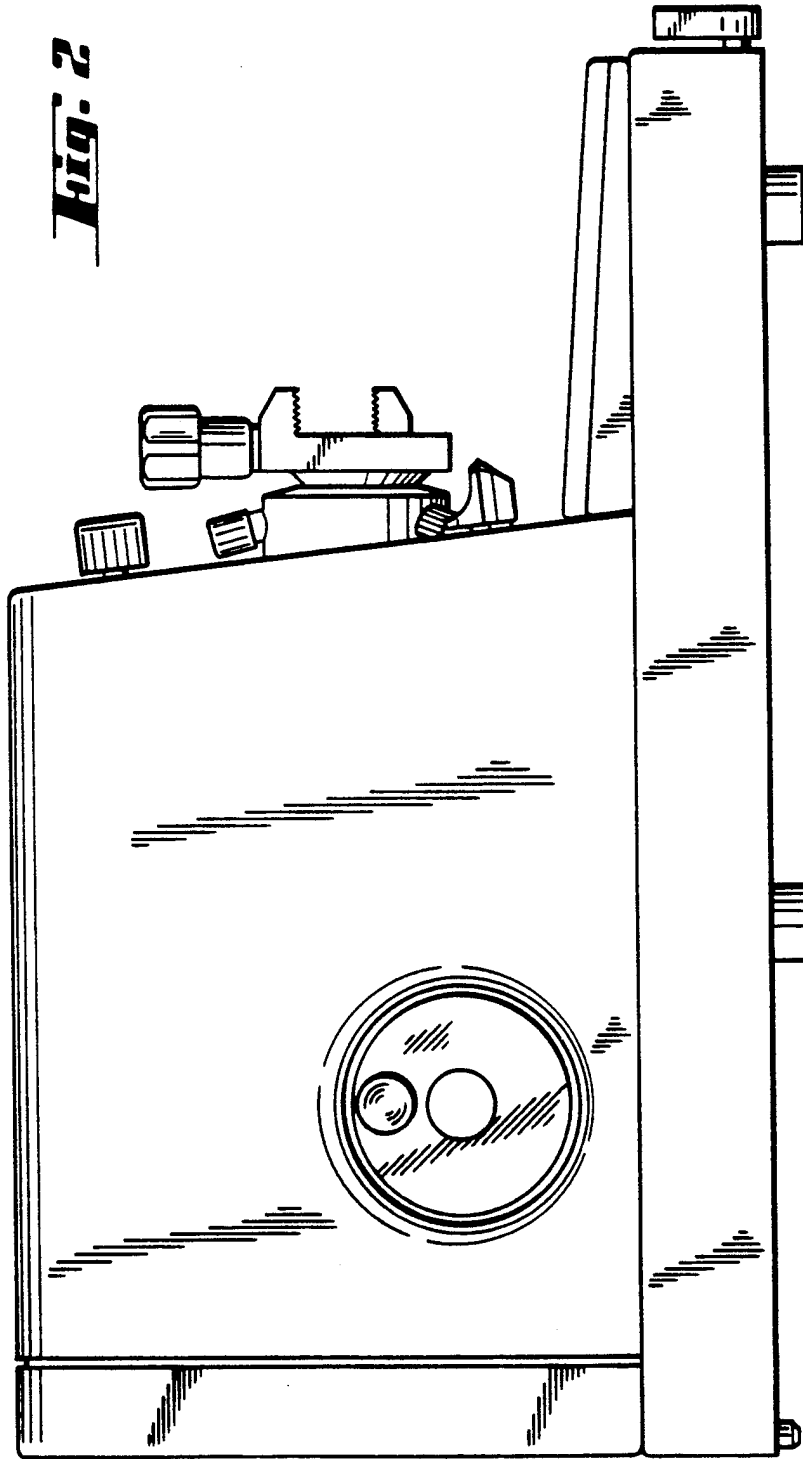
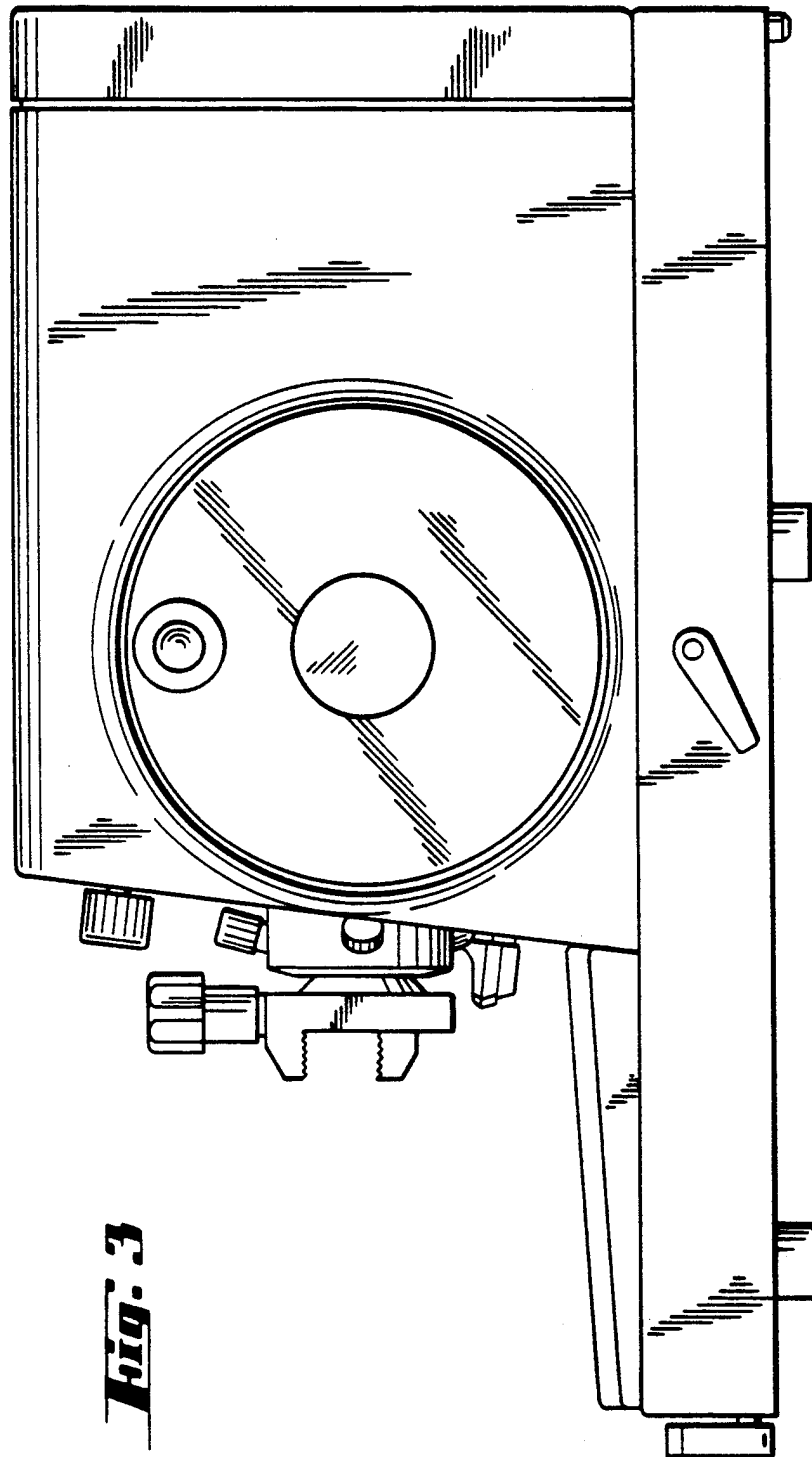


Fig. 1

Fig. 2





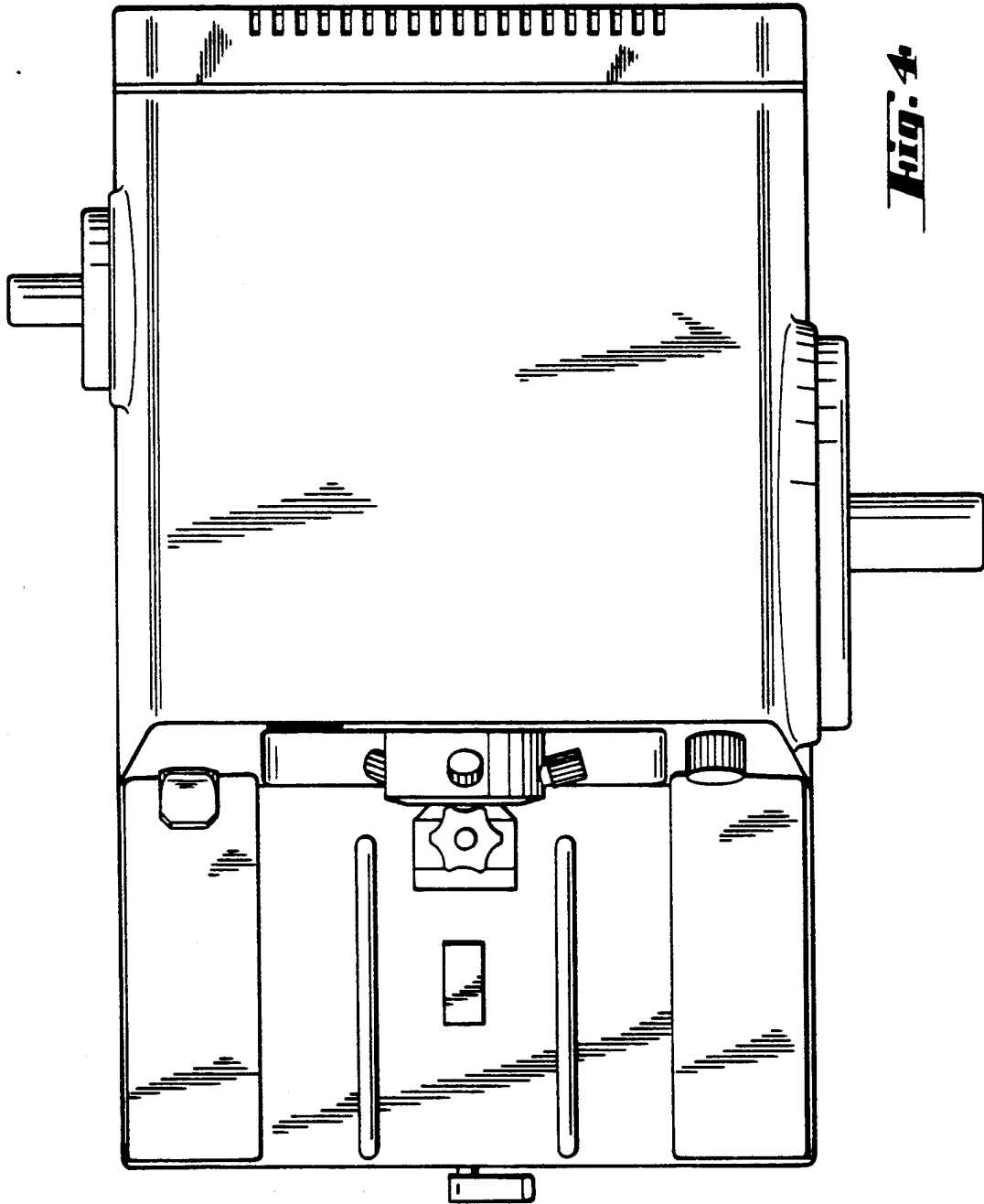


Fig. 4

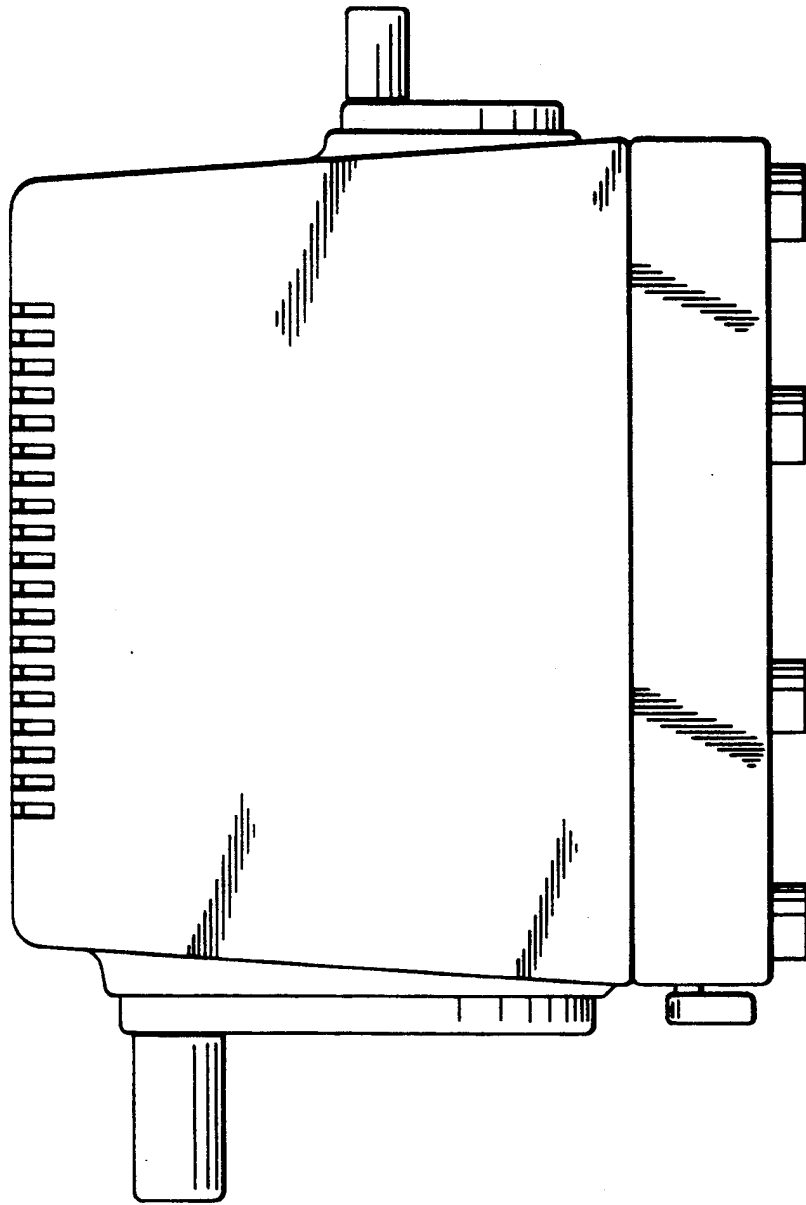


Fig. 5