



US00D328129S

United States Patent [19]

[11] Patent Number: Des. 328,129

Holbl

[45] Date of Patent: ** Jul. 21, 1992

[54] **KNIFE HOLDER FOR A MICROTOME**

2,822,726 2/1958 Blum 83/915.5

[75] Inventor: **Werner Holbl**, Vienna, Austria

3,832,923 9/1974 Lossmann et al. 83/915.5

[73] Assignee: **Leica Instruments GmbH**, Nussloch,
Fed. Rep. of Germany

3,913,903 10/1975 Seward et al. 269/100

3,975,977 8/1976 Mörnberg 83/915.5

4,207,790 6/1980 Endo 83/915.5

[**] Term: **14 Years**

Primary Examiner—A. Hugo Word

Assistant Examiner—Celia A. Murphy

Attorney, Agent, or Firm—Bean, Kauffman & Spencer

[21] Appl. No.: **486,265**

[57] CLAIM

[22] Filed: **Feb. 28, 1990**

The ornamental design for a knife holder for a microtome, as shown and described.

[30] **Foreign Application Priority Data**

DESCRIPTION

Aug. 29, 1989 [DE] Fed. Rep. of Germany 8906123

[52] U.S. Cl. **D24/128**

[58] Field of Search D24/128; 83/915.5;
269/100

FIG. 1 is a perspective view of a knife holder for a microtome showing my new design;

FIG. 2 is a reduced front elevational view thereof;

FIG. 3 is a top plan view of FIG. 2, the bottom being plain except for the slot which runs from front to rear as shown in FIGS. 1, 2, and 5;

FIG. 4 is a right side elevational view of FIG. 2, the left side being plain and unadorned; and,

FIG. 5 is a rear elevational view of FIG. 2.

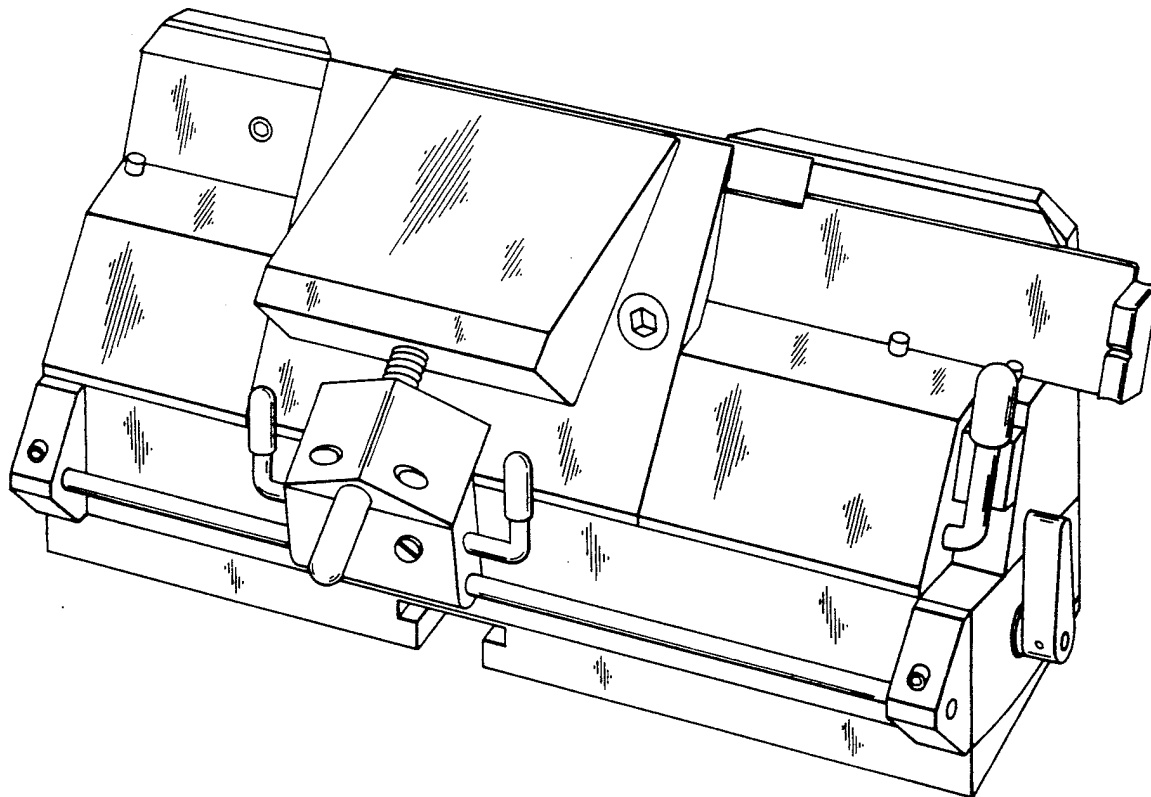
[56] **References Cited**

U.S. PATENT DOCUMENTS

728,656 5/1903 Bausch et al. 83/915.5

2,439,671 4/1948 Ott 83/915.5

2,643,579 6/1953 Jacoby, Jr. 83/915.5



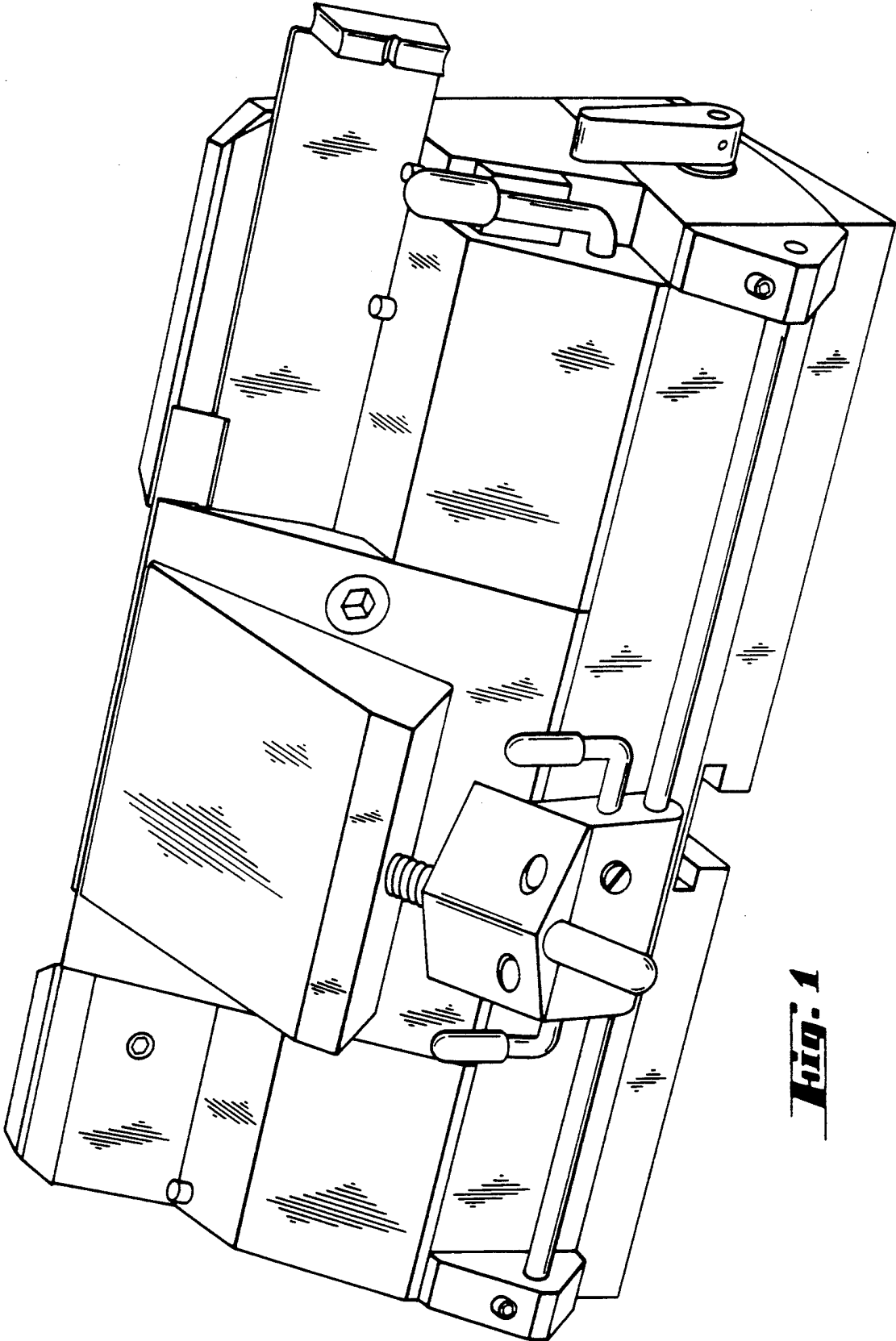


Fig. 1

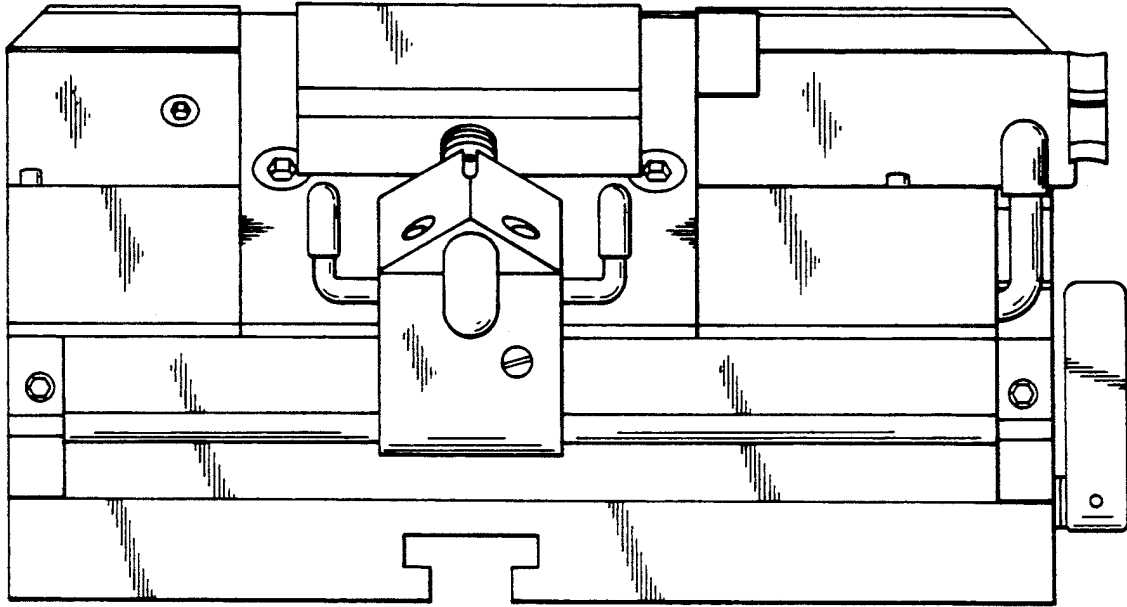


Fig. 2

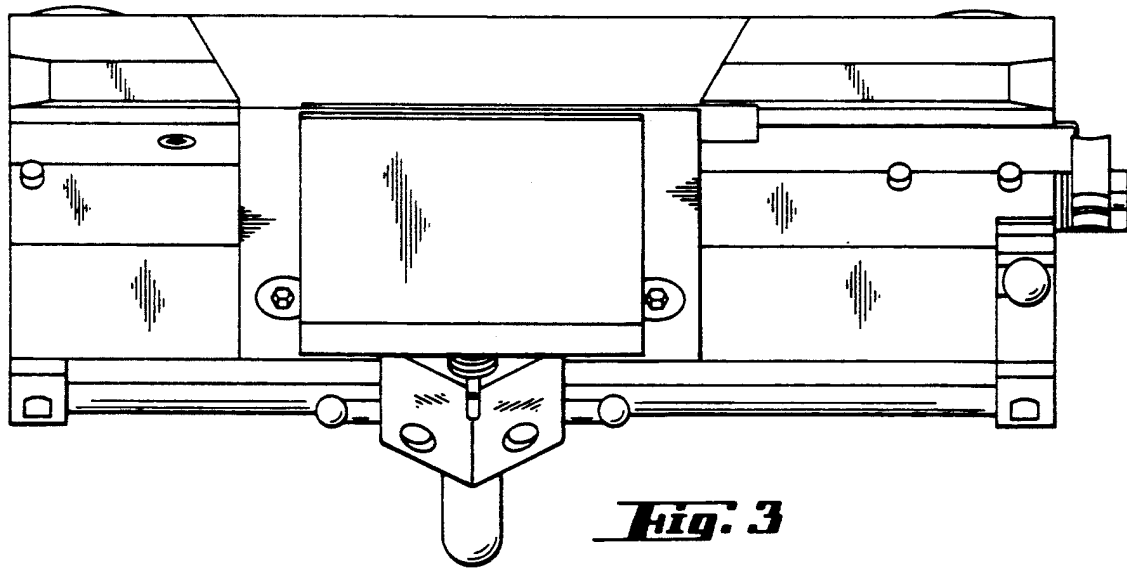


Fig. 3

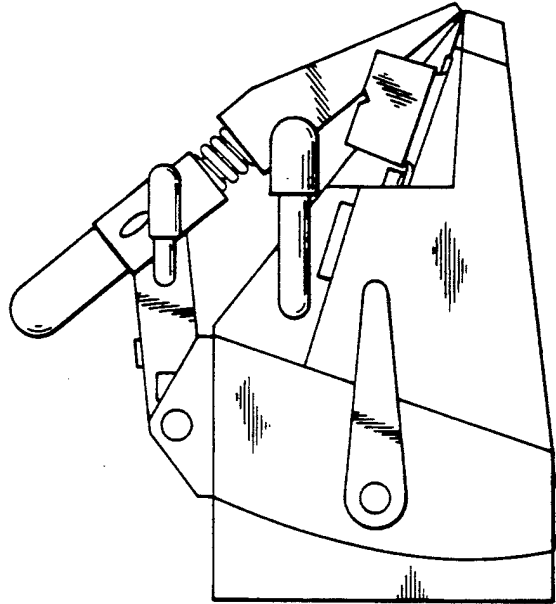


Fig. 4

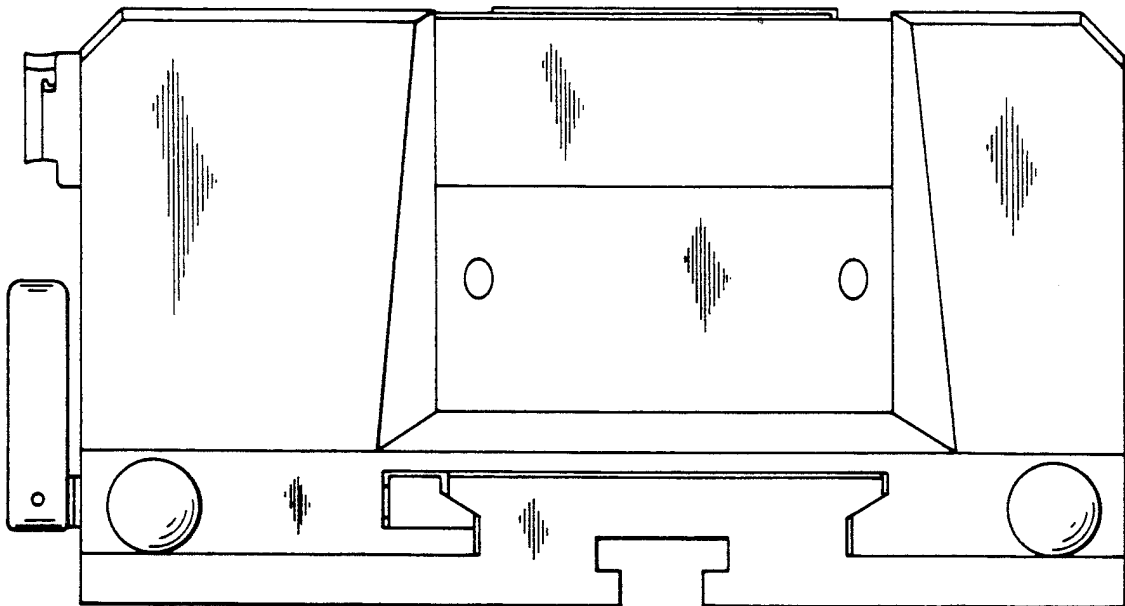


Fig. 5