



US00D345746S

# United States Patent [19]

[11] Patent Number: **Des. 345,746**

Hölbl

[45] Date of Patent: **\*\* Apr. 5, 1994**

## [54] MICROSCOPE

[75] Inventor: **Werner Hölbl, Vienna, Austria**

[73] Assignee: **Leica Inc., Buffalo, N.Y.**

[\*\*] Term: **14 Years**

[21] Appl. No.: **872,667**

[22] Filed: **Apr. 23, 1992**

[52] U.S. Cl. .... **D16/131**

[58] Field of Search ..... 359/368, 376, 377, 381,  
359/388, 385, 390, 393; D16/130-131

## [56] References Cited

### U.S. PATENT DOCUMENTS

|            |         |                      |         |
|------------|---------|----------------------|---------|
| D. 257,358 | 10/1980 | Armbruster .....     | D16/131 |
| D. 258,312 | 2/1981  | Parker .....         | D16/131 |
| D. 260,402 | 8/1981  | Hodgson .....        | D16/131 |
| D. 265,206 | 6/1982  | Weber et al. ....    | D16/131 |
| 4,445,758  | 5/1984  | Emmel .....          | 359/393 |
| 4,557,568  | 12/1985 | Van Benschoten ..... | D16/131 |
| 4,824,229  | 4/1989  | Narita et al. ....   | 359/393 |
| 5,119,233  | 6/1992  | Hayashi .....        | 359/385 |

## OTHER PUBLICATIONS

Zeiss-Information; Apr. 1981; p. 4; Compact Transmitted-light Microscope KM.

Fisher Catalog; ©1990; p. 1046; Fisher Micromaster CK Series Microscopes.

Fisher Catalog; ©1990; p. 1061; Cambridge Stratalab Microscopes.

Primary Examiner—A. Hugo Word

Assistant Examiner—Cathy Anne MacCormac

Attorney, Agent, or Firm—Bean, Kauffman & Spencer

## [57] CLAIM

The ornamental design for a microscope, as shown and described.

## DESCRIPTION

FIG. 1 is a perspective view of a microscope showing my new design;

FIG. 2 is a front elevational view thereof;

FIG. 3 is a rear elevational view thereof;

FIG. 4 is a top plan view thereof; and,

FIG. 5 is a left side elevational view thereof.

FIG. 1 has been drawn on an enlarged scale with respect to FIGS. 2-5.

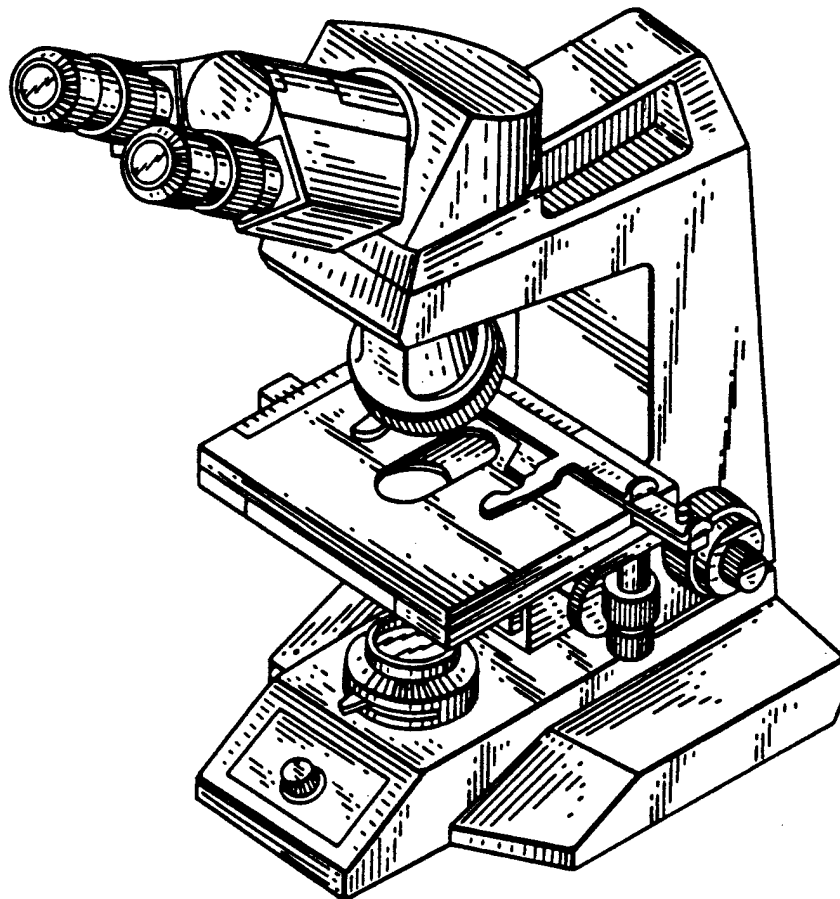
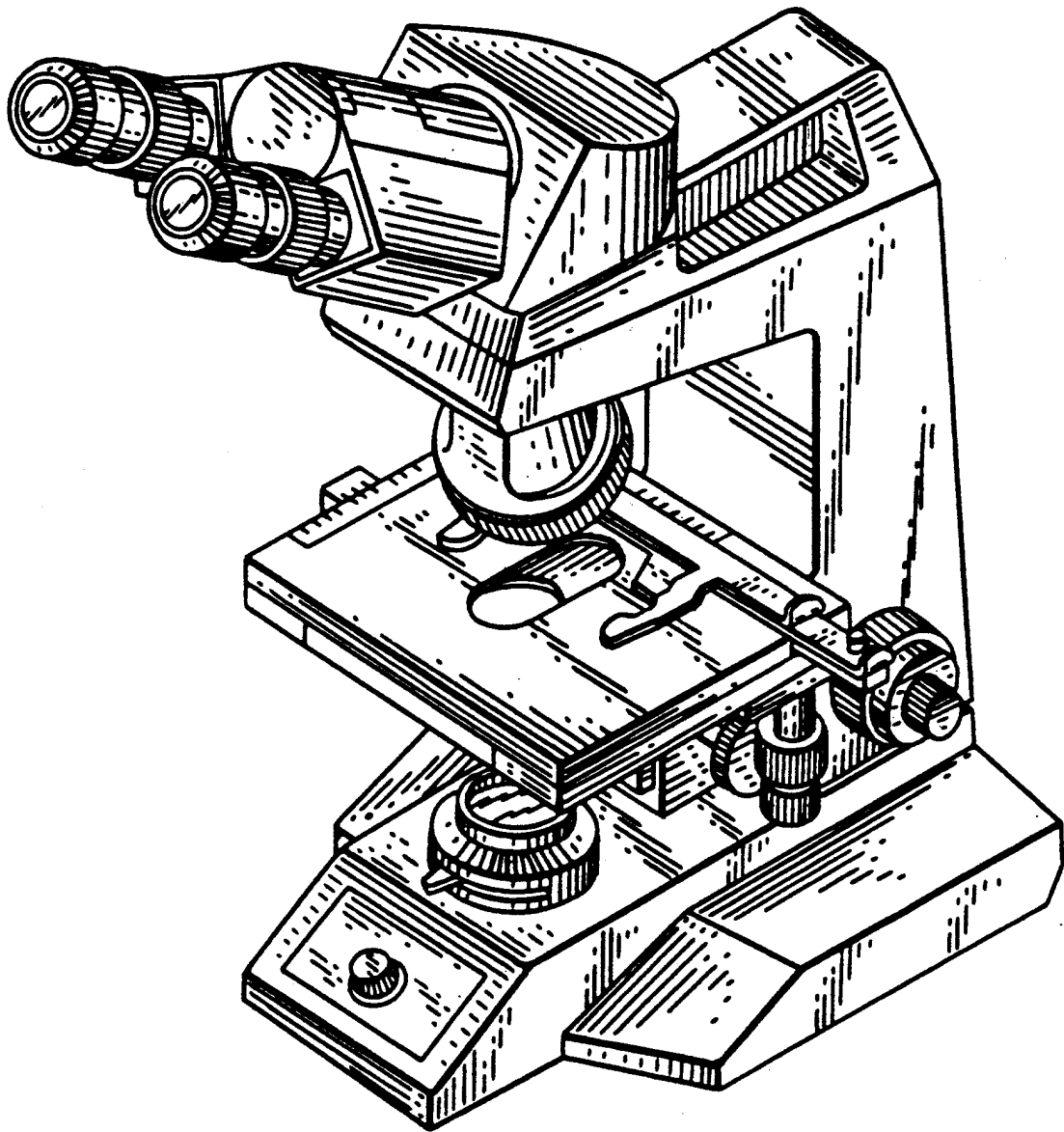


Fig. 1.



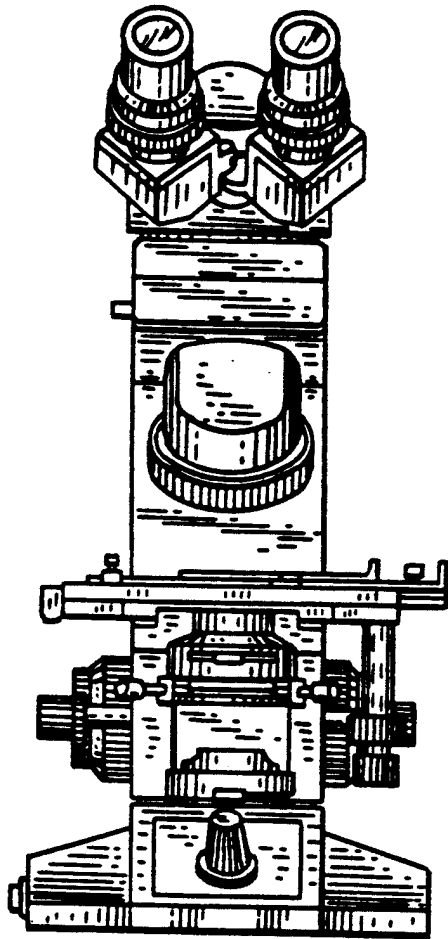


Fig. 3.

Fig. 2.

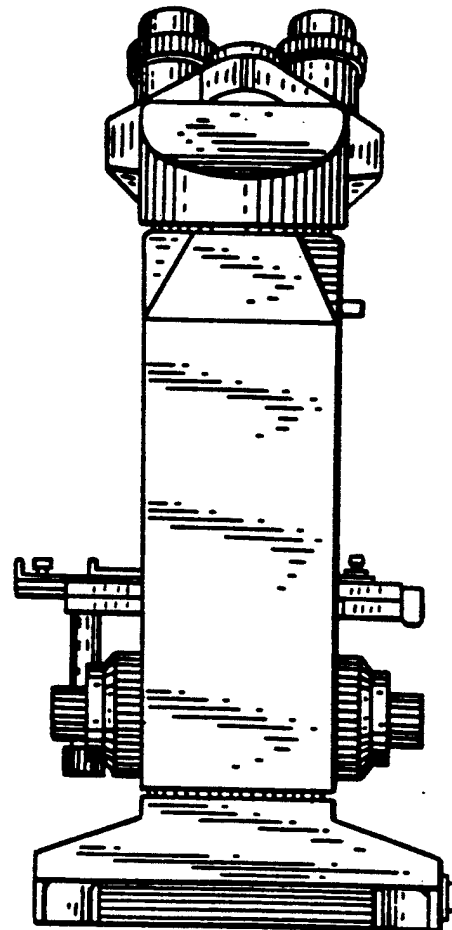


Fig. 4.

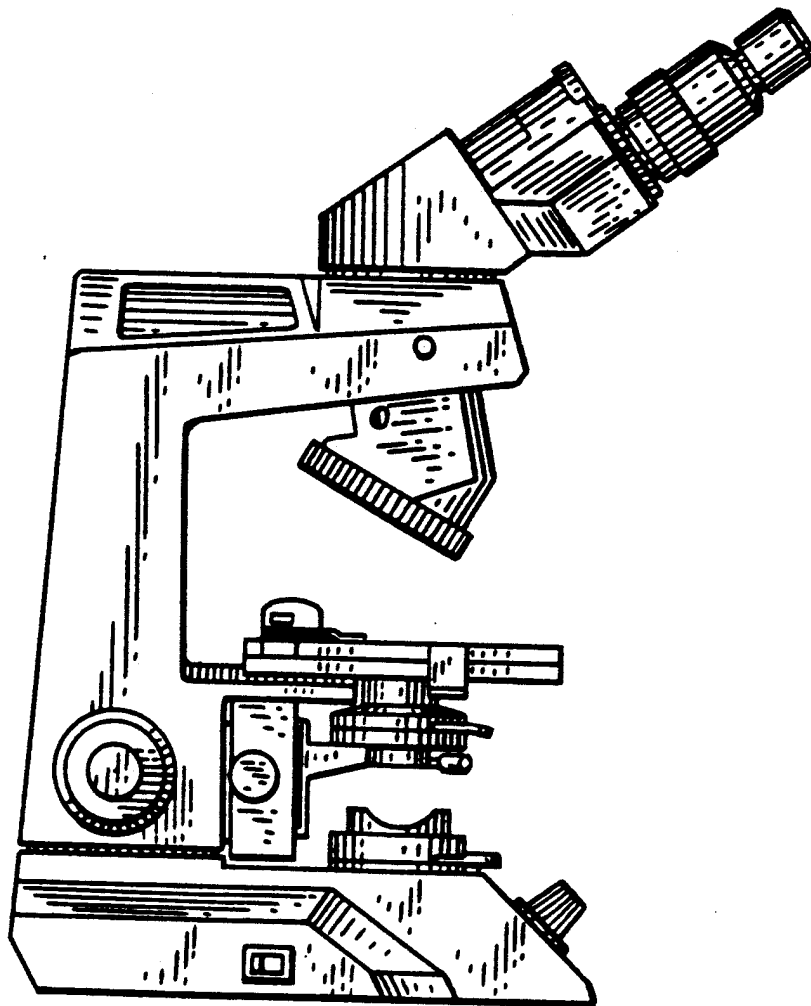
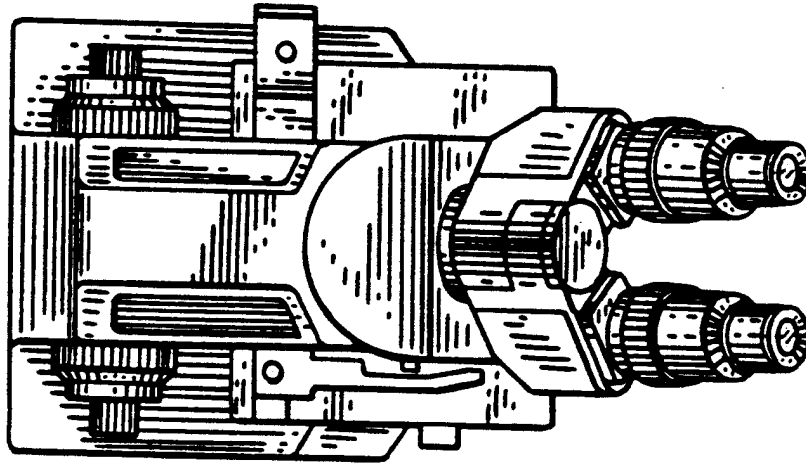


Fig. 5.