



US00D347068S

United States Patent [19]

[11] Patent Number: Des. 347,068

Rota

[45] Date of Patent: ** May 17, 1994

[54] **AUTOMATIC SLIDING DOOR**

4,752,106 6/1988 Salvarani 49/130
5,038,517 8/1991 Talbott 47/17

[75] Inventor: Michèle Rota, Winkel, Switzerland

Primary Examiner—A. Hugo Word

[73] Assignee: AG Fur Turautomation, Fehraltorf, Switzerland

Assistant Examiner—Doris Clark

[**] Term: 14 Years

Attorney, Agent, or Firm—Robert P. Simpson; Michael L. Dunn

[21] Appl. No.: 842,583

[57] **CLAIM**

[22] Filed: Feb. 27, 1992

The ornamental design for an automatic sliding door, as shown and described.

[30] **Foreign Application Priority Data**

Mar. 9, 1991 [IB] Int'l Pat. Institute DM/020.580

[52] U.S. Cl. D25/48

[58] Field of Search 47/17; 49/150, 130, 49/142, 155, 166; D25/48, 52

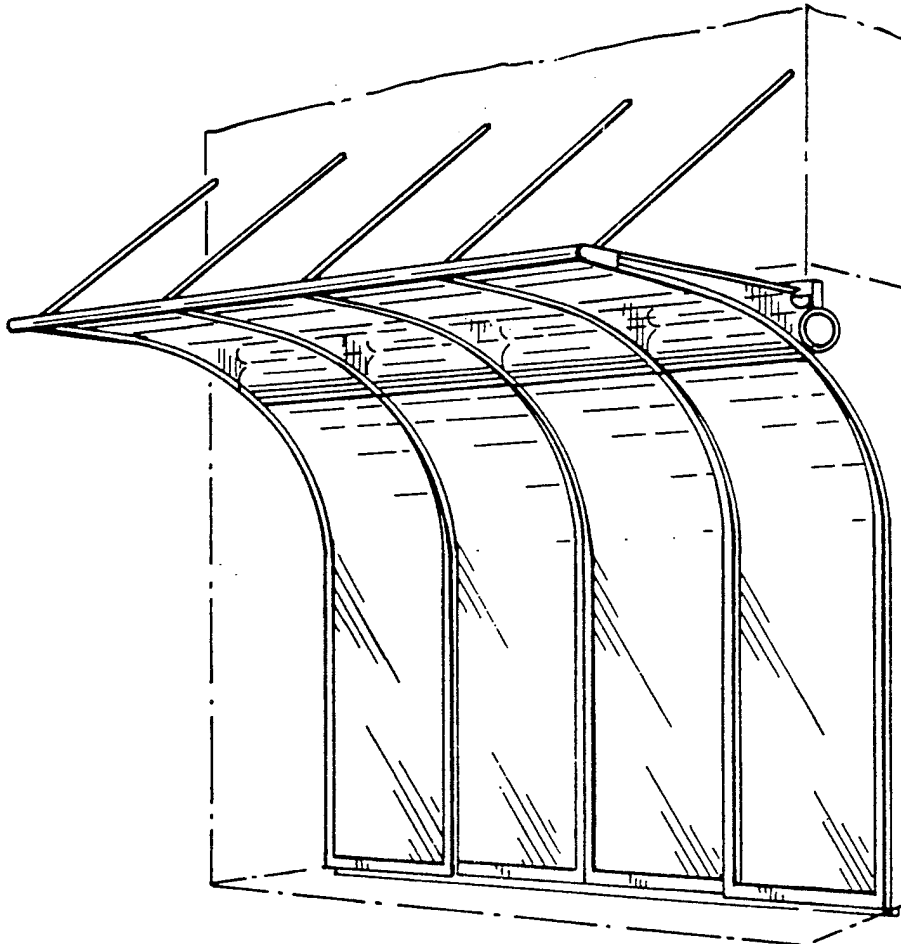
[56] **References Cited**

U.S. PATENT DOCUMENTS

D. 292,317	10/1987	Martinelli	D25/48
1,948,596	2/1934	Ross	49/155
2,511,108	6/1950	Hansen	49/166
3,226,778	1/1966	Kollsman et al.	49/130
3,864,881	2/1975	Wolf	49/142
4,003,102	1/1977	Hawks et al.	D25/48
4,596,093	6/1986	Esposito	47/17

DESCRIPTION

FIG. 1 is a rear elevational view of the automatic sliding door showing my new design, the broken lines showing the portal of a building are for illustrative purposes only and form no part of the claimed design; FIG. 2 is a front elevational view thereof; FIG. 3 is a right side elevational view thereof; FIG. 4 is a left side elevational view thereof; FIG. 5 is a front elevational view thereof; FIG. 6 is a rear elevational view thereof; FIG. 7 is a front elevational view showing the two central doors in a partial open position; and, FIG. 8 is a top plan view of the automatic sliding door installed into the portal of a building.



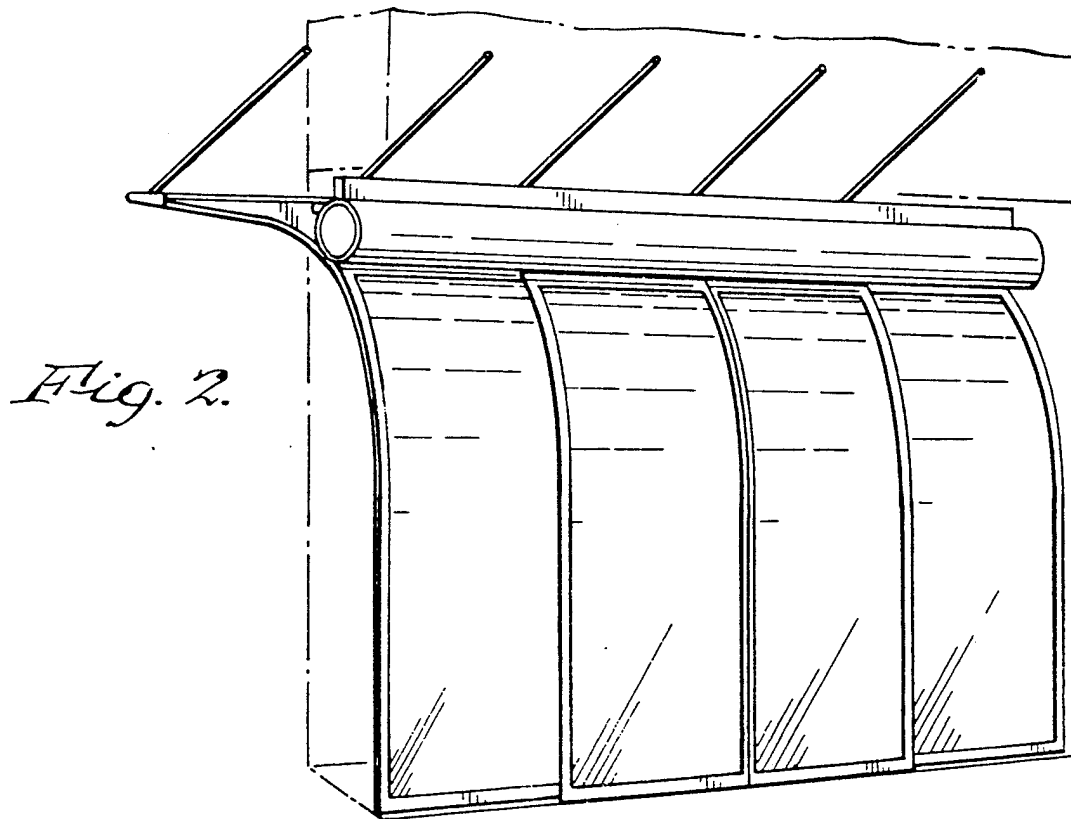
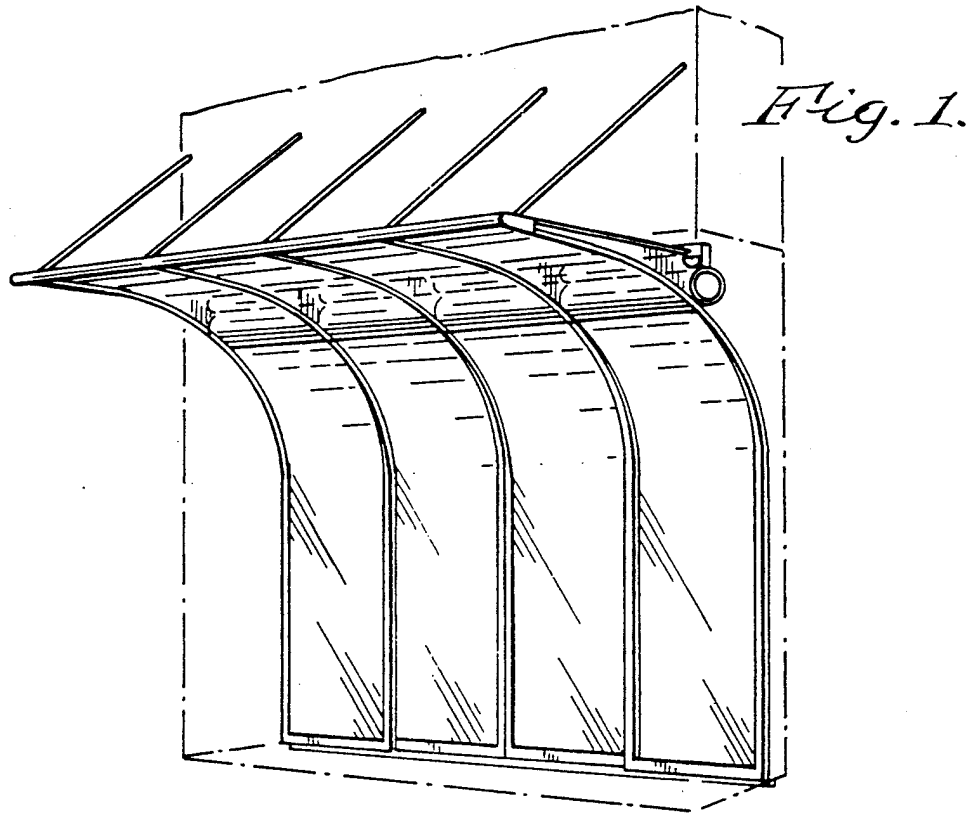


Fig. 3.

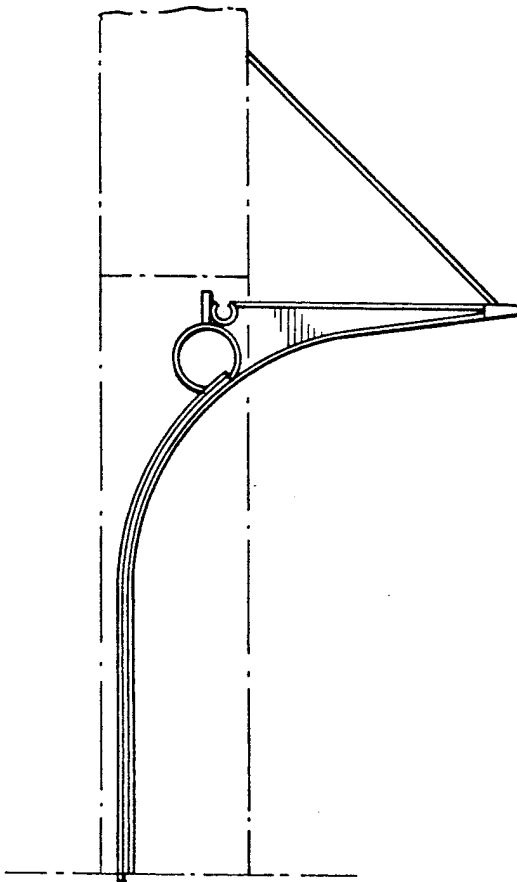
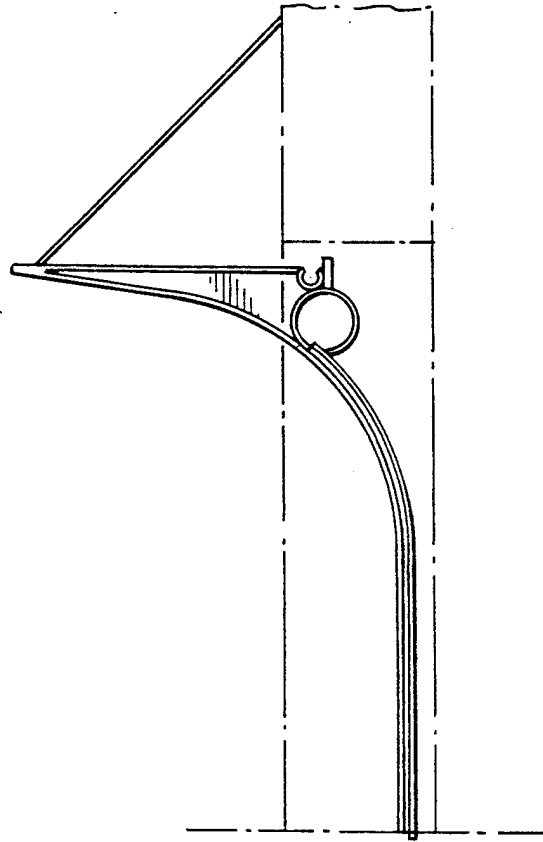


Fig. 4.

Fig. 5.

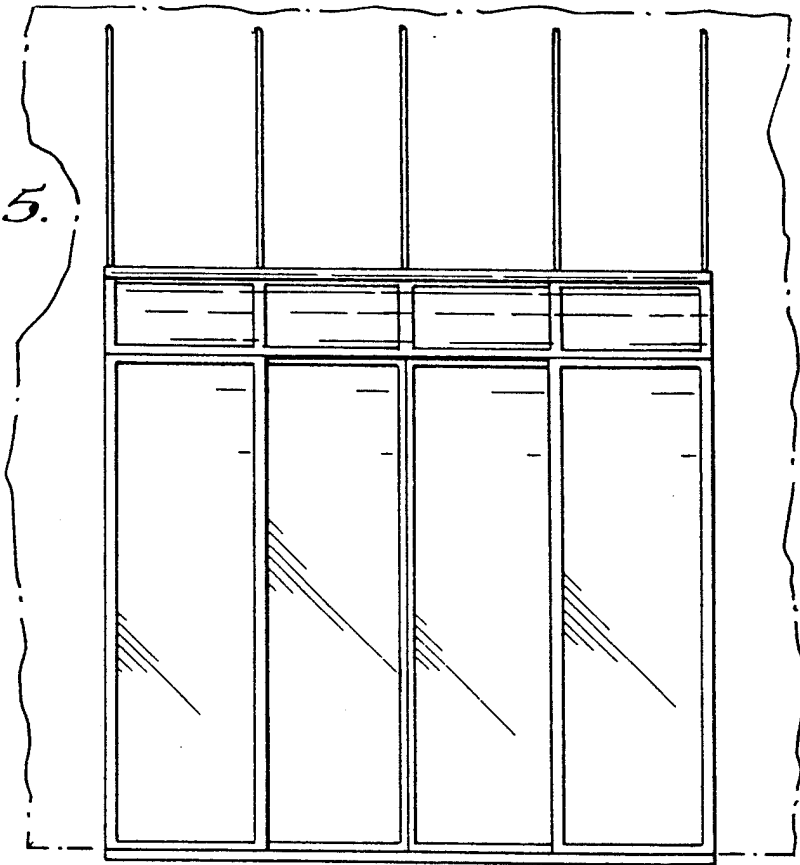
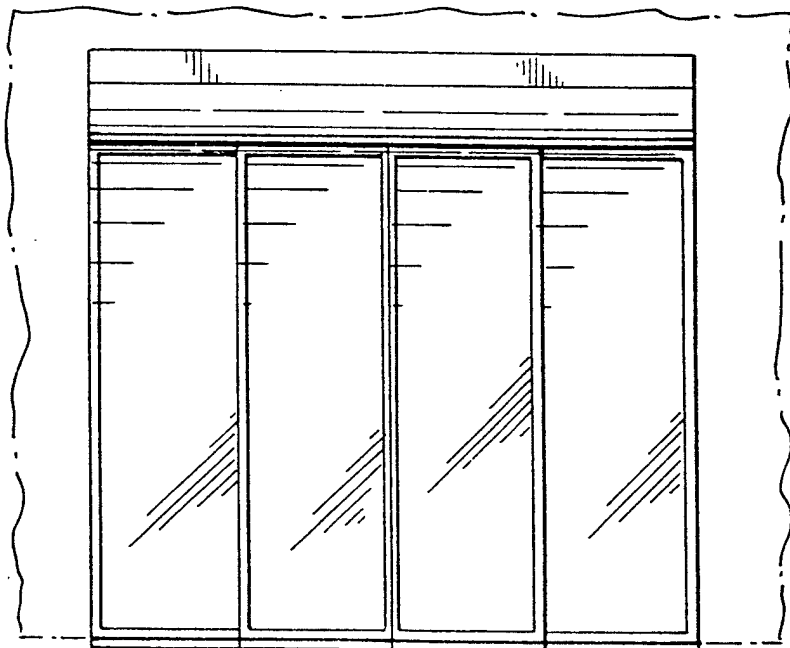


Fig. 6.



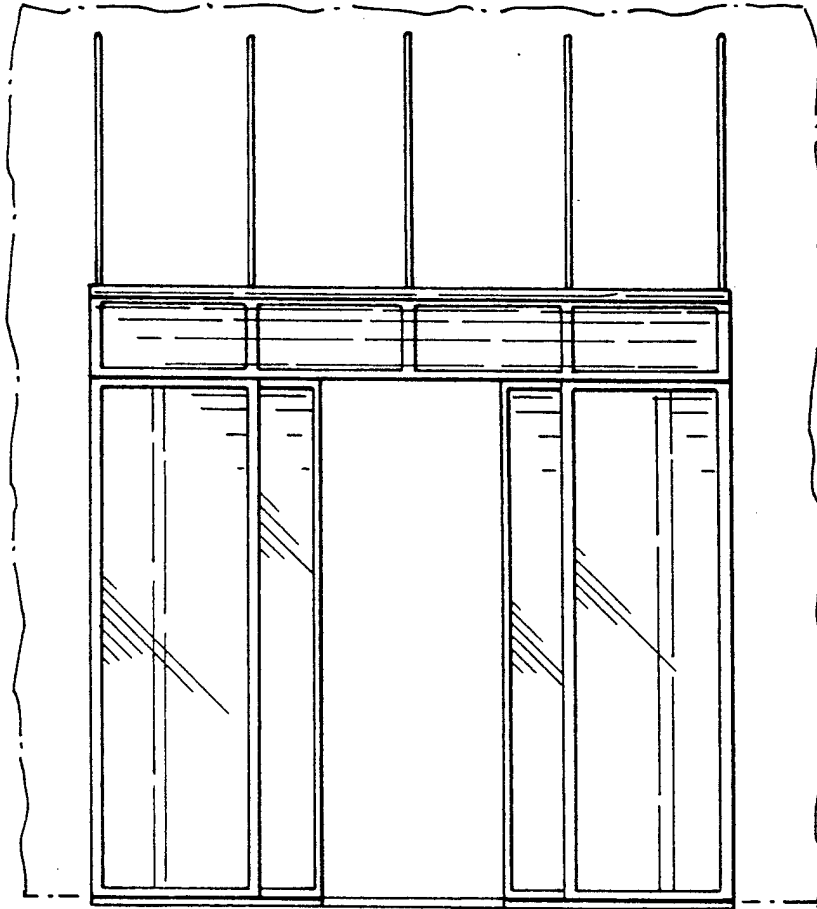


Fig. 7.

Fig. 8.

