



US00D347559S

United States Patent [19]

[11] Patent Number: **Des. 347,559**

Piscitelli

[45] Date of Patent: **** Jun. 7, 1994**

- [54] **PAINT MIXING PADDLE**
- [75] Inventor: **Vincent C. Piscitelli, Canadea, N.Y.**
- [73] Assignee: **American Paint Paddle Company, Canadea, N.Y.**
- [**] Term: **14 Years**
- [21] Appl. No.: **646,346**
- [22] Filed: **Jan. 28, 1991**
- [52] U.S. Cl. **D8/16**
- [58] Field of Search **D8/14, 16; 15/236.09; 7/105; 366/129**

2,777,676 1/1957 Carter 15/236.09
 2,860,858 11/1958 Kurs 15/236.09
 4,553,279 11/1985 Gassew et al. 15/236.09

Primary Examiner—Bernard Ansher
Assistant Examiner—Philip Hyder
Attorney, Agent, or Firm—Bean, Kauffman & Spencer

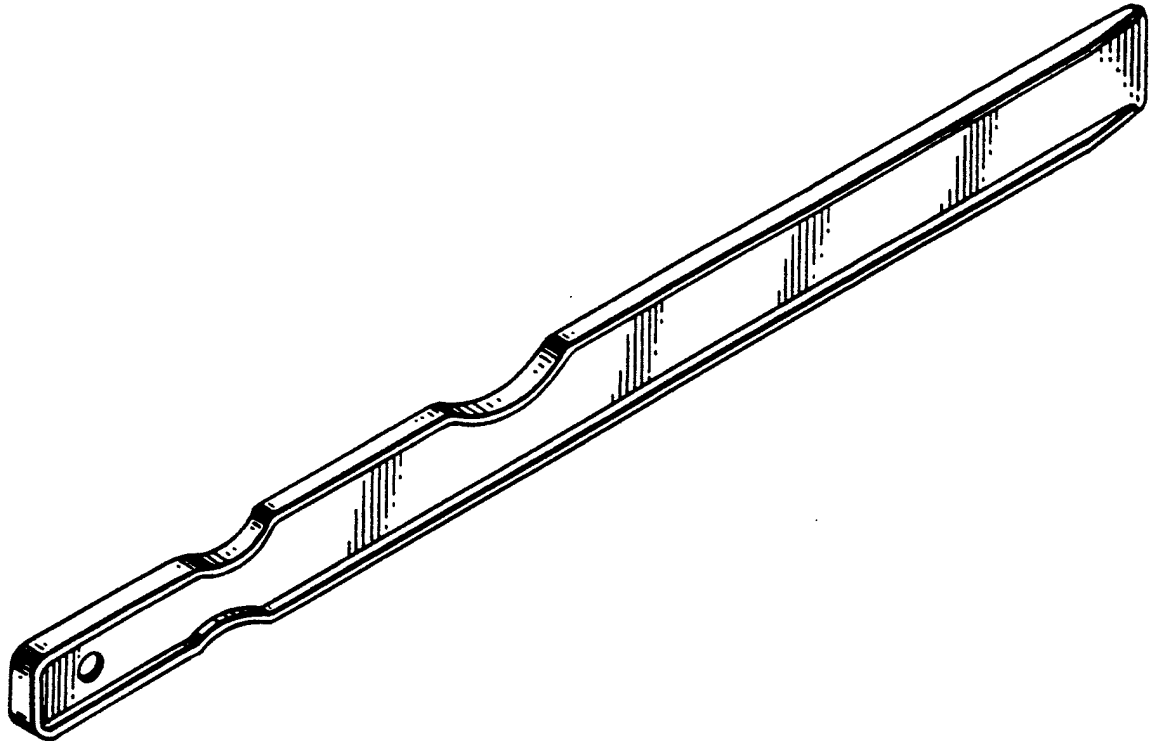
[57] CLAIM

The ornamental design for a paint mixing paddle, as shown.

DESCRIPTION

FIG. 1 is a perspective view of a paint mixing paddle showing my new design;
 FIG. 2 is a left side elevational view thereof;
 FIG. 3 is a right side elevational view thereof;
 FIG. 4 is a front elevational view thereof, the rear view being a mirror image;
 FIG. 5 is a bottom plan view thereof; and,
 FIG. 6 is a top plan view thereof.

- [56] **References Cited**
- U.S. PATENT DOCUMENTS**
- D. 324,629 3/1992 Bloom et al. D8/16
- 2,524,475 10/1950 Renz 7/105
- 2,579,930 12/1951 King 7/105



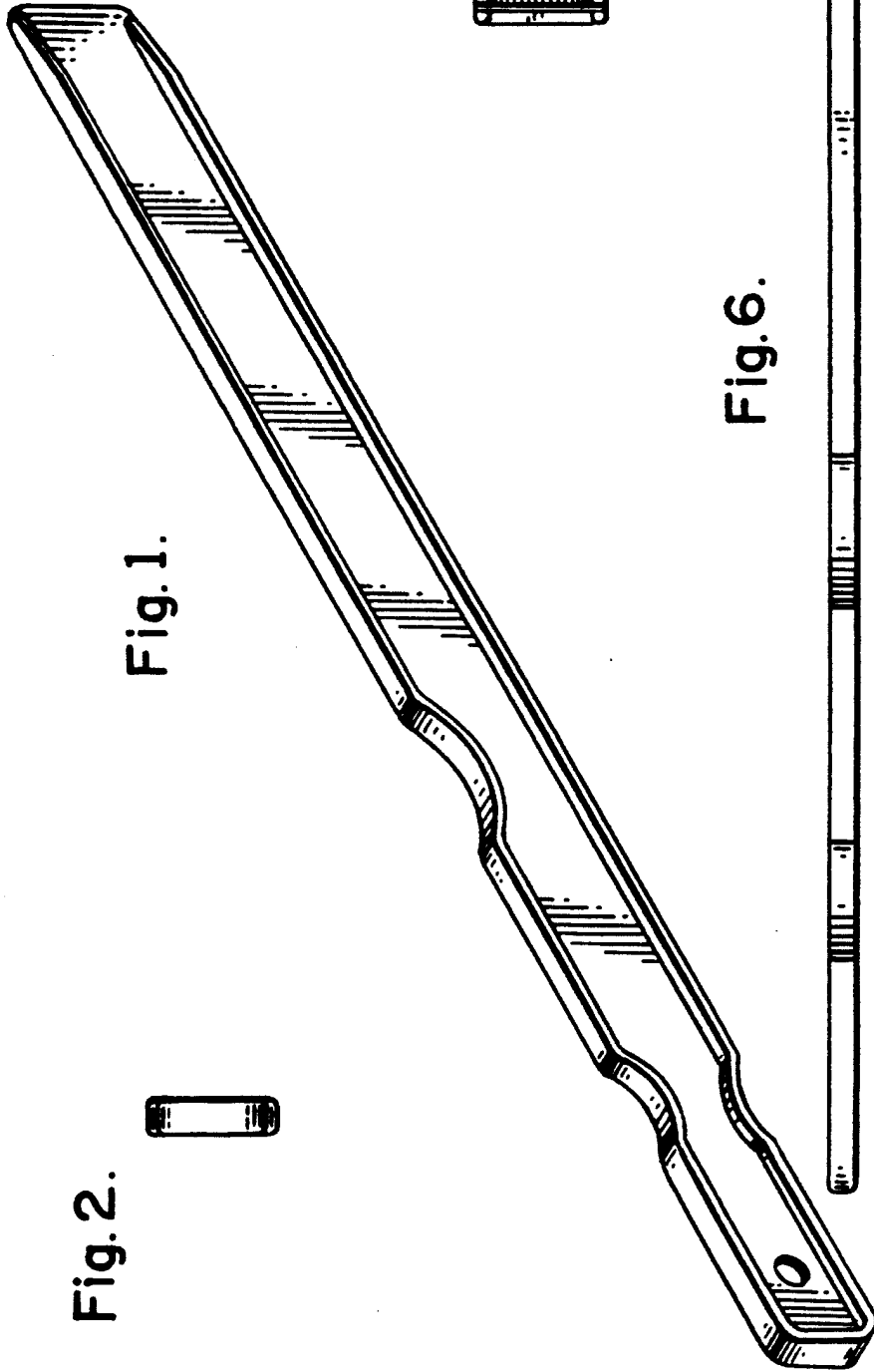


Fig. 2.

Fig. 1.

Fig. 3.



Fig. 6.

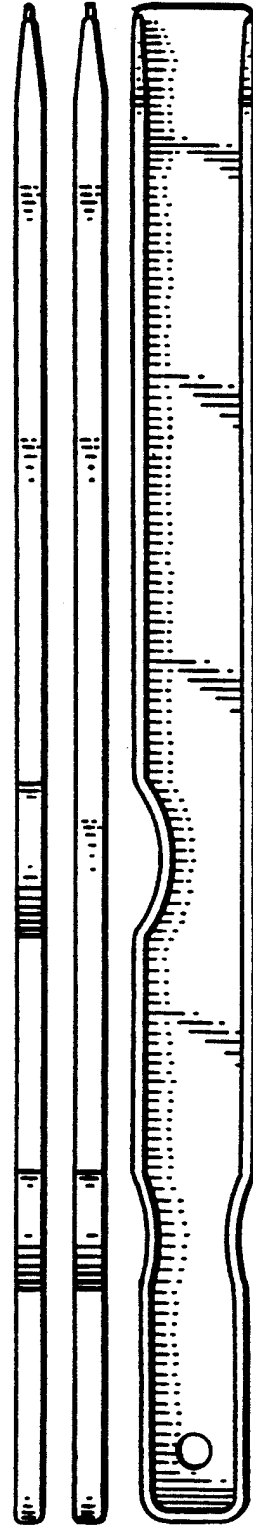


Fig. 5.

Fig. 4.