



US00D350266S

United States Patent [19]

[11] Patent Number: **Des. 350,266**

Huber et al.

[45] Date of Patent: **** Sep. 6, 1994**

[54] **RANDOM ORBITAL SANDER**

4,531,329 7/1985 Huber 51/273
4,729,194 3/1988 Maier et al. 51/170 MT

[75] Inventors: **Paul W. Huber**, Lancaster; **David G. Heckmiller, Jr.**, Orchard Park, both of N.Y.

Primary Examiner—Alan P. Douglas
Assistant Examiner—J. H. Musgrove
Attorney, Agent, or Firm—Bean, Kauffman & Spencer

[73] Assignee: **Dynabrade, Inc.**, Clarence, N.Y.

[57] **CLAIM**

[**] Term: **14 Years**

The ornamental design for a random orbital sander, as shown and described.

[21] Appl. No.: **15,344**

[22] Filed: **Nov. 15, 1993**

DESCRIPTION

Related U.S. Application Data

FIG. 1 is a side elevational view of a random orbital sander showing our new design;
FIG. 2 is an opposite side elevational view thereof;
FIG. 3 is a front elevational view thereof;
FIG. 4 is a rear elevational view thereof;
FIG. 5 is a top plan view thereof;
FIG. 6 is a bottom plan view thereof;
FIG. 7 is a side elevational view of a second alternative form thereof;
FIG. 8 is an opposite side elevational view thereof;
FIG. 9 is a front elevational view thereof;
FIG. 10 is a rear elevational view thereof;
FIG. 11 is a top plan view thereof; and,
FIG. 12 is a bottom plan view thereof.

[62] Division of Ser. No. 126, Oct. 6, 1992.

[52] U.S. Cl. **D8/62**

[58] Field of Search **D8/61, 62; 51/170 R, 51/170 T, 170 TL, 170 EB; D15/139**

References Cited

U.S. PATENT DOCUMENTS

- D. 286,736 11/1986 Somers D8/62
- D. 324,803 3/1992 Butzen et al. D8/62
- D. 326,042 5/1992 Kriaski et al. D8/62
- D. 329,362 9/1992 Saito et al. D8/62
- D. 335,618 5/1992 Mogaki D8/62

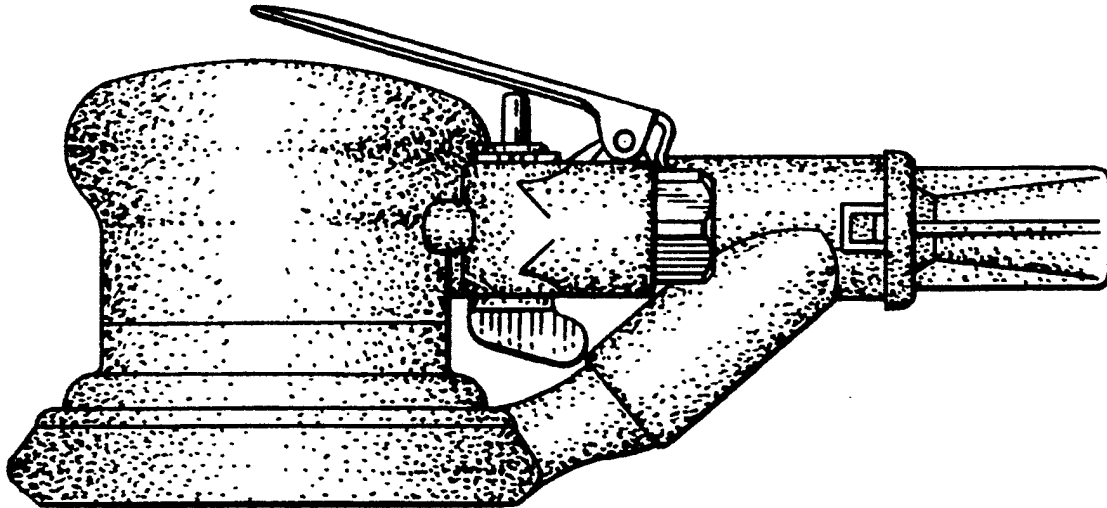


Fig. 1

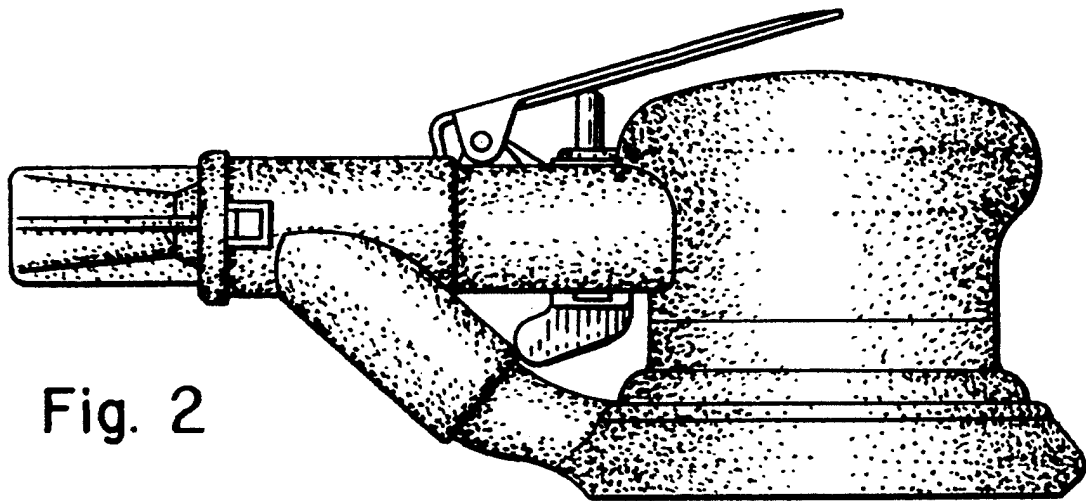
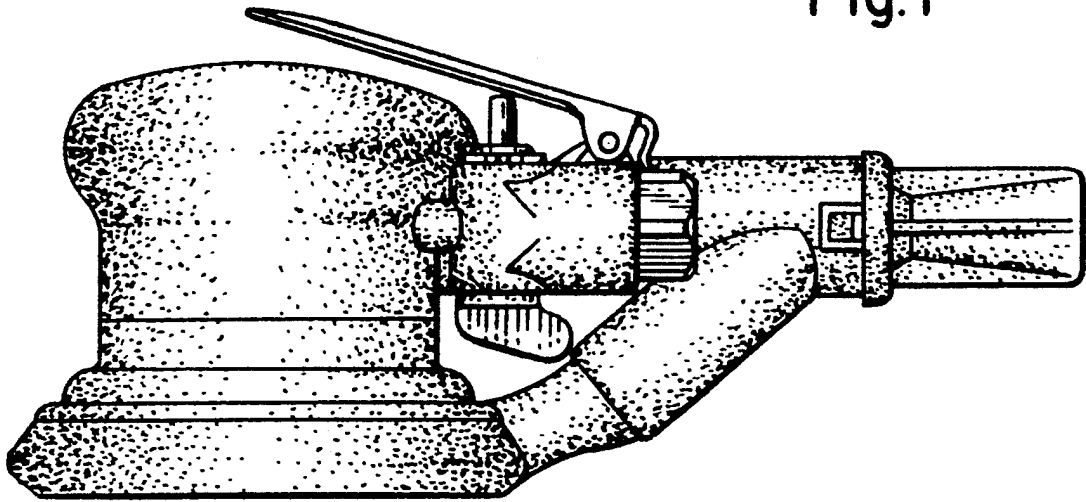


Fig. 2

Fig. 3

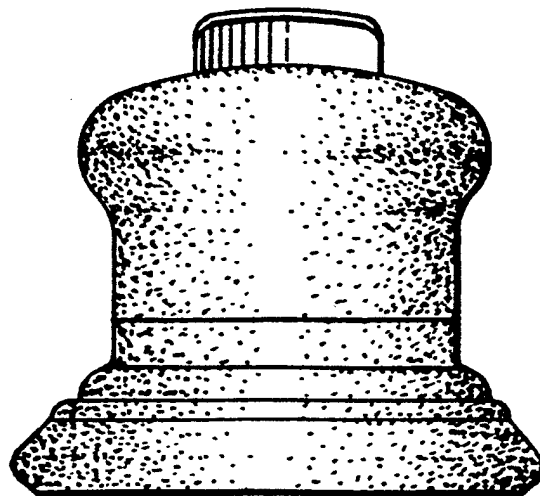


Fig. 4

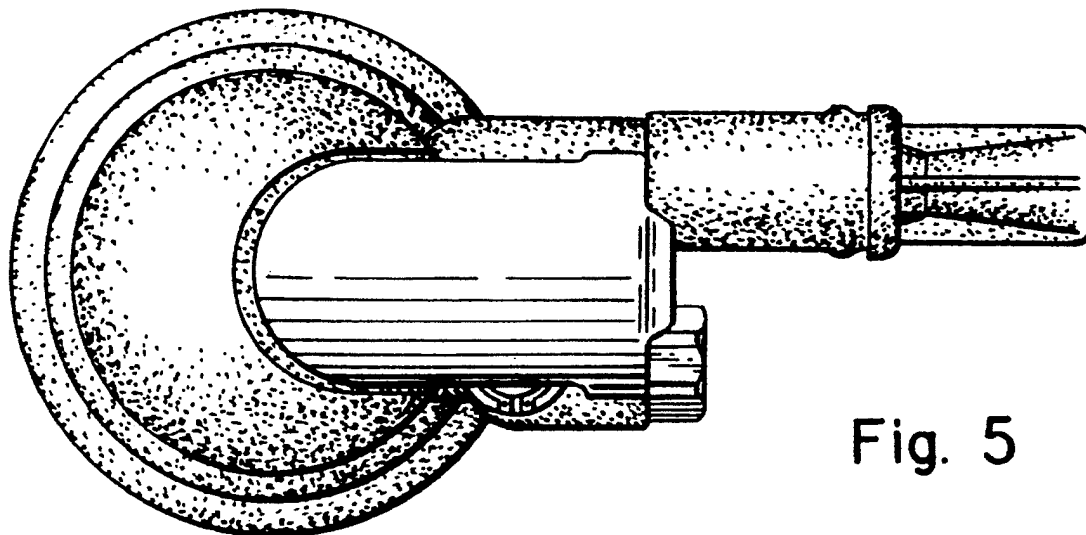
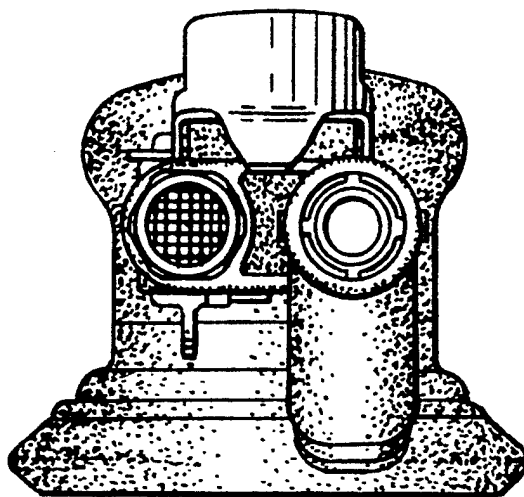


Fig. 5

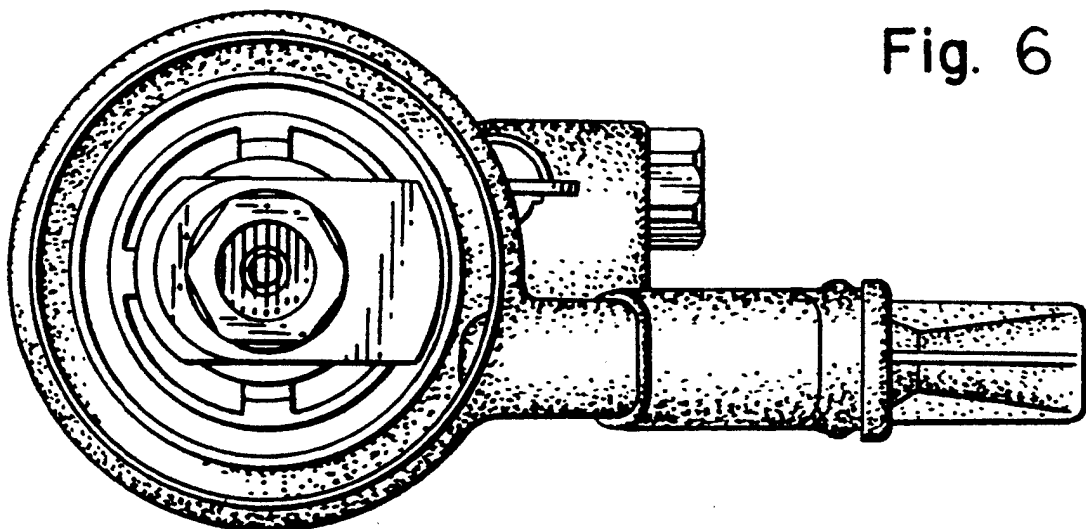


Fig. 6

Fig. 7

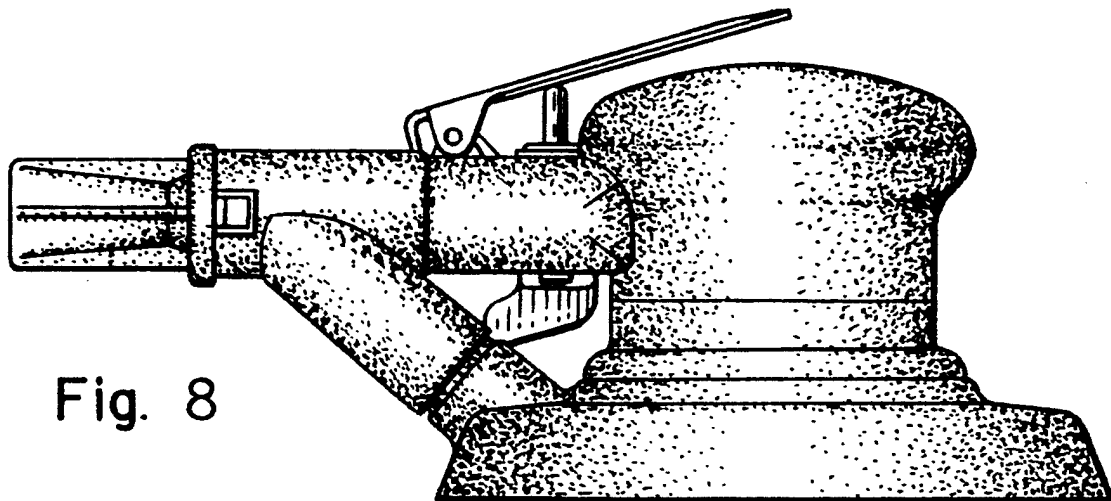
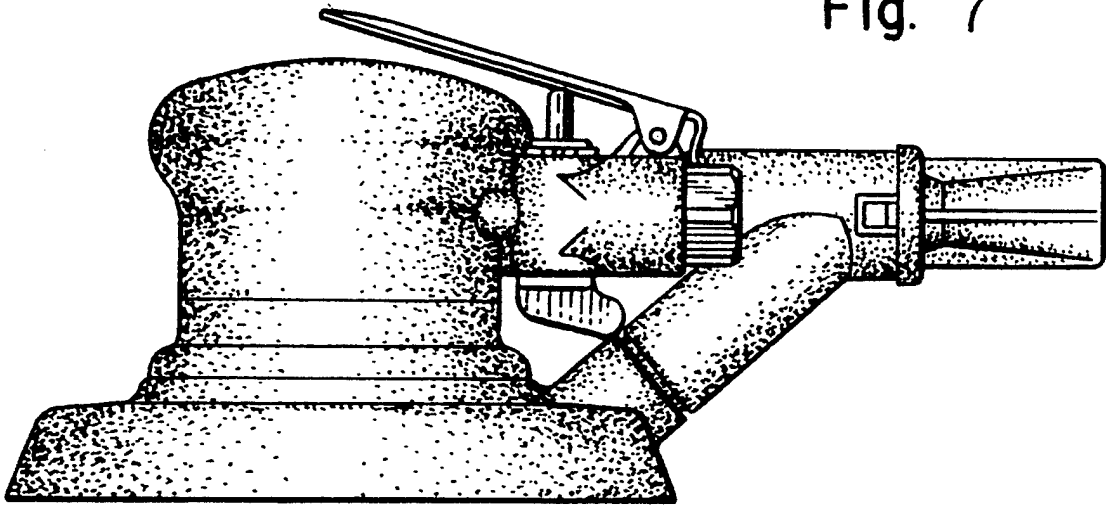


Fig. 8

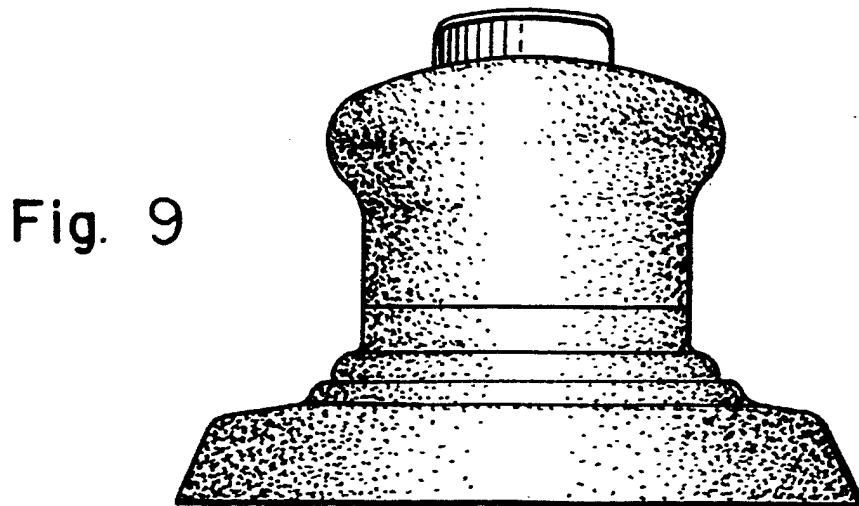


Fig. 9

Fig. 10

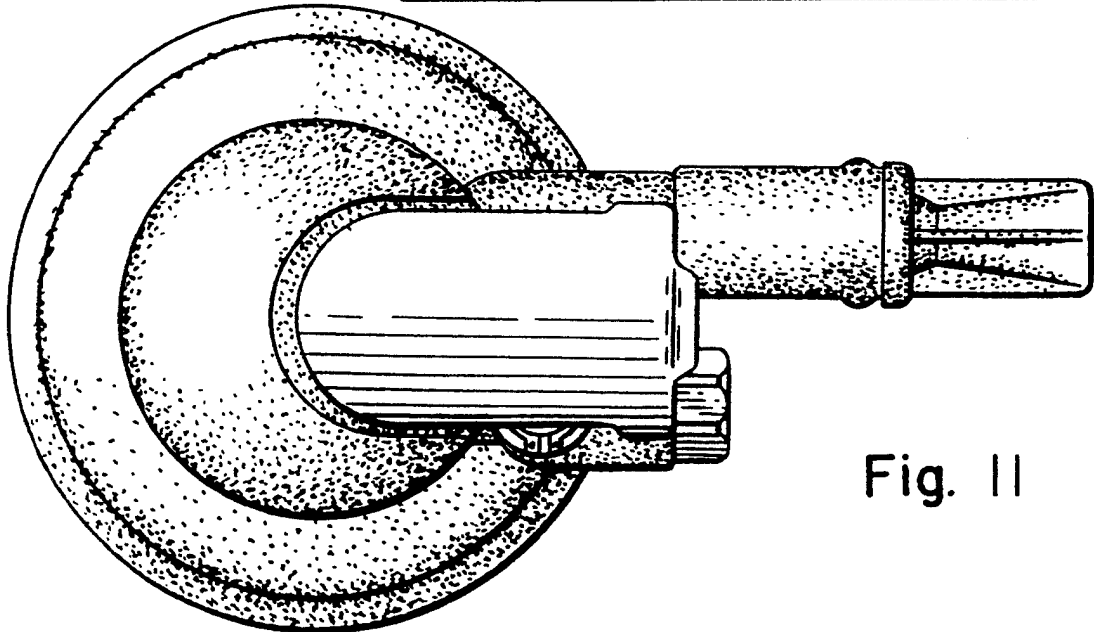
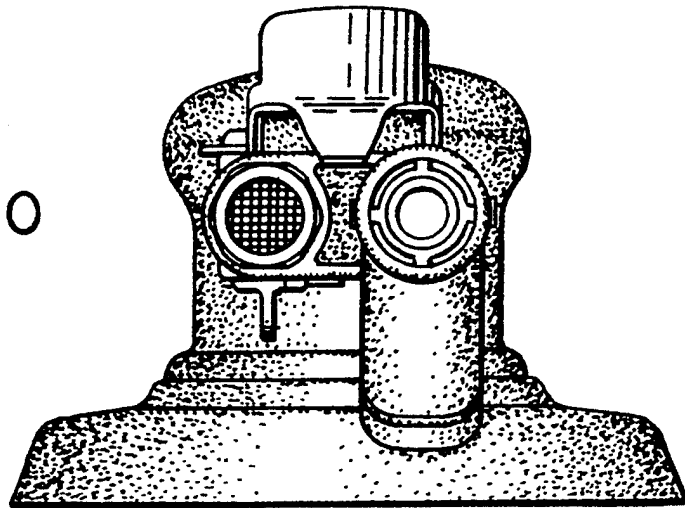


Fig. 11

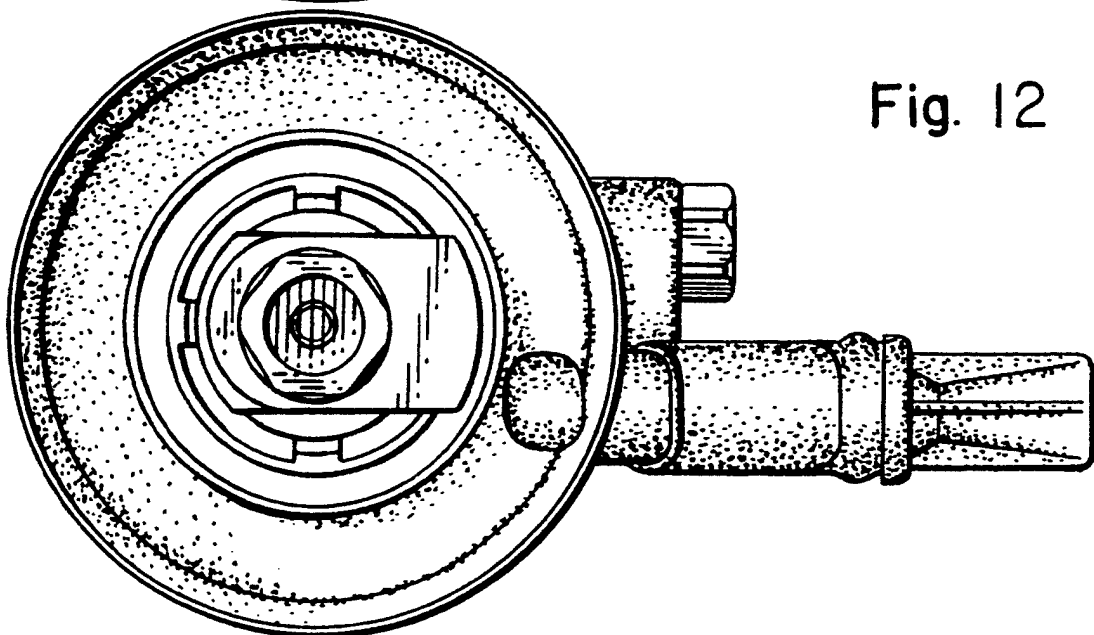


Fig. 12