



US00D358895S

# United States Patent [19]

[11] Patent Number: **Des. 358,895**

Holbl

[45] Date of Patent: **\*\* May 30, 1995**

[54] **MICROTOME**

[56] **References Cited**

[75] Inventor: **Werner Holbl**, Vienna, Austria

### U.S. PATENT DOCUMENTS

[73] Assignee: **Leica Instruments GmbH**, Nussloch, Germany

D. 328,793	8/1992	Holbl	.....	D24/216
3,204,424	9/1965	McCormick et al.	.....	83/915.5 X
3,212,379	10/1965	McCormick et al.	.....	D24/216 X
3,233,965	2/1966	McCormick	.....	83/915.5 X
4,548,051	10/1985	Moessner	.....	62/320
4,979,376	12/1990	Biehl et al.	.....	62/264

[\*] Notice: The portion of the term of this patent subsequent to Mar. 3, 2006 has been disclaimed.

*Primary Examiner*—A. Hugo Word  
*Assistant Examiner*—Ian Simmons  
*Attorney, Agent, or Firm*—Bean, Kauffman & Spencer

[\*\*] Term: **14 Years**

[57] **CLAIM**

[21] Appl. No.: **702,672**

The ornamental design for a microtome, as shown.

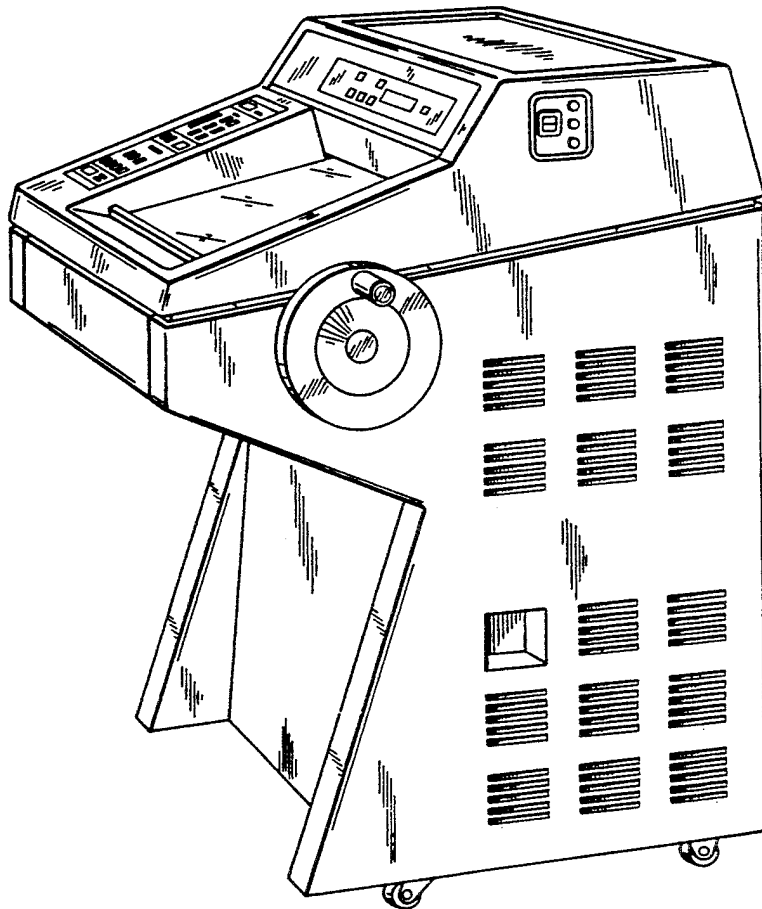
[22] Filed: **May 20, 1991**

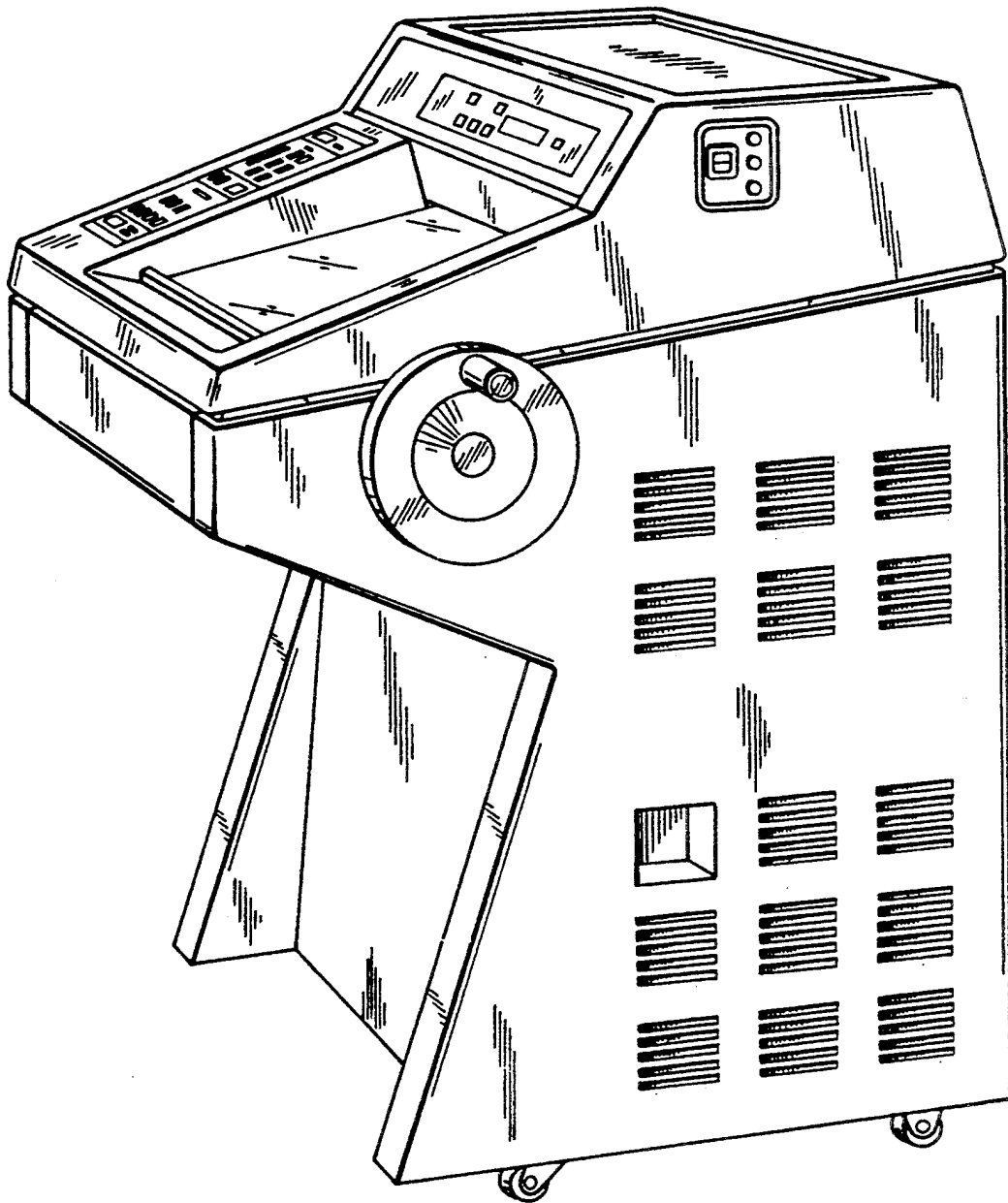
### DESCRIPTION

[30] **Foreign Application Priority Data**

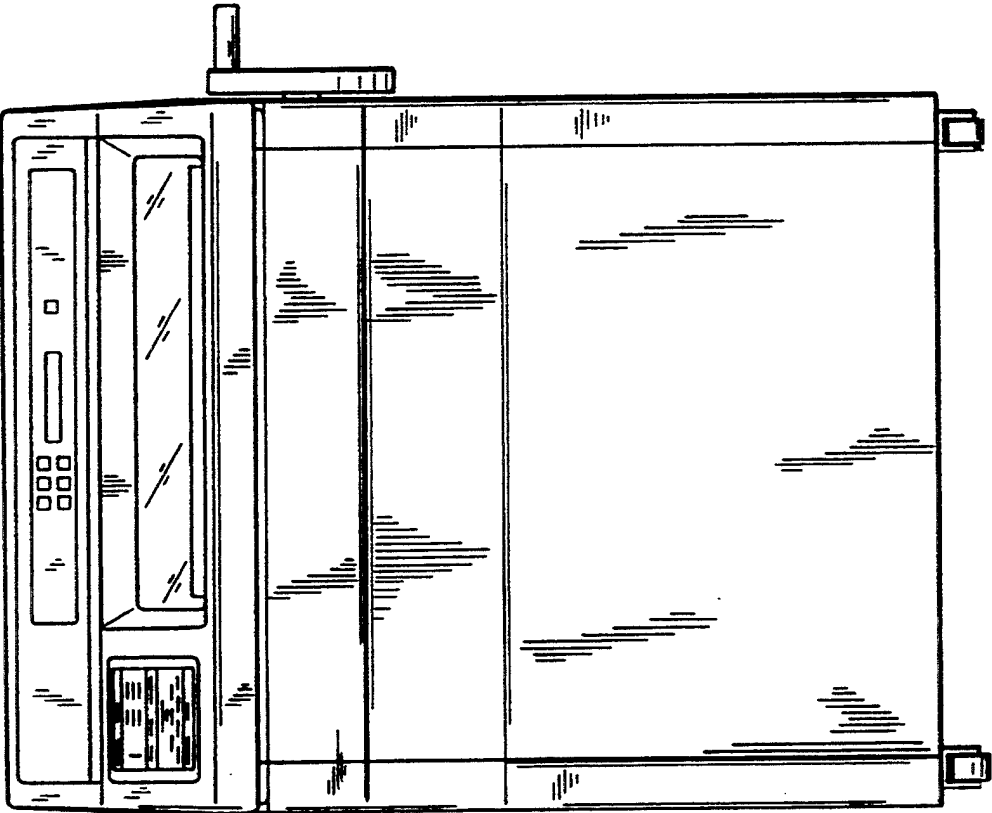
Nov. 23, 1990	[DE]	Germany	.....	90 07 816.0
[52]	U.S. Cl.	.....		<b>D24/216</b>
[58]	Field of Search	.....		D24/216; 62/248, 264, 62/320, DIG. 10; 83/915.5

FIG. 1 is a front, right, top perspective view of a microtome showing my new design;  
FIG. 2 is a right side elevational view thereof;  
FIG. 3 is a front elevational view thereof;  
FIG. 4 is a top plan view thereof;  
FIG. 5 is a bottom plan view thereof;  
FIG. 6 is a rear elevational view thereof; and,  
FIG. 7 is a left side elevational view.

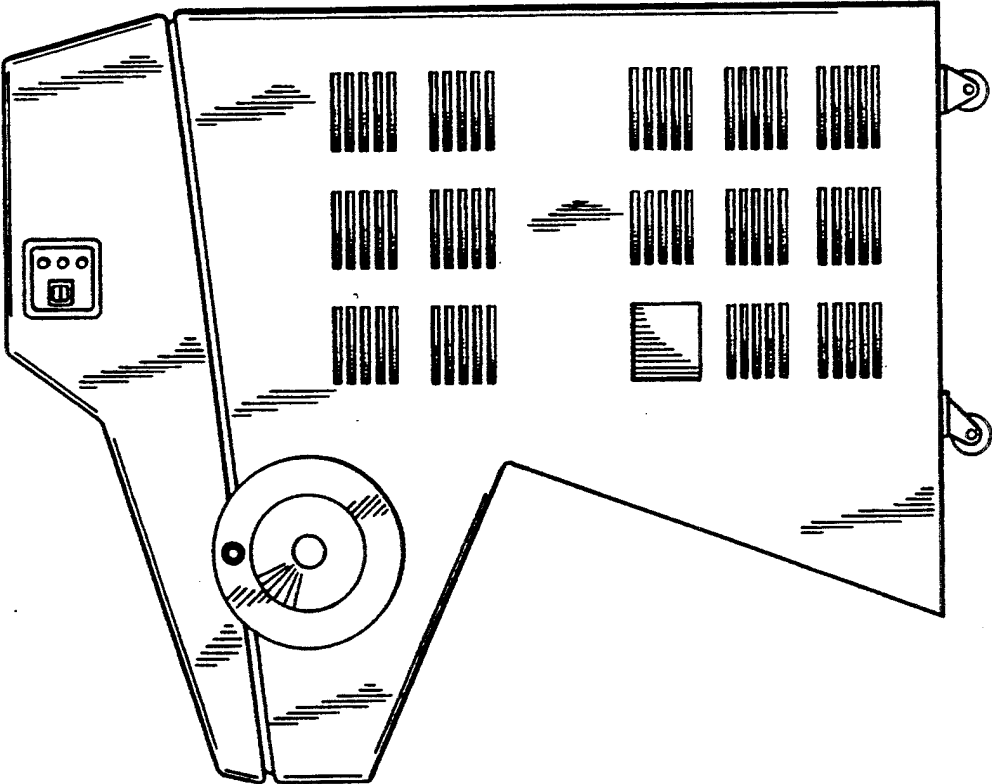




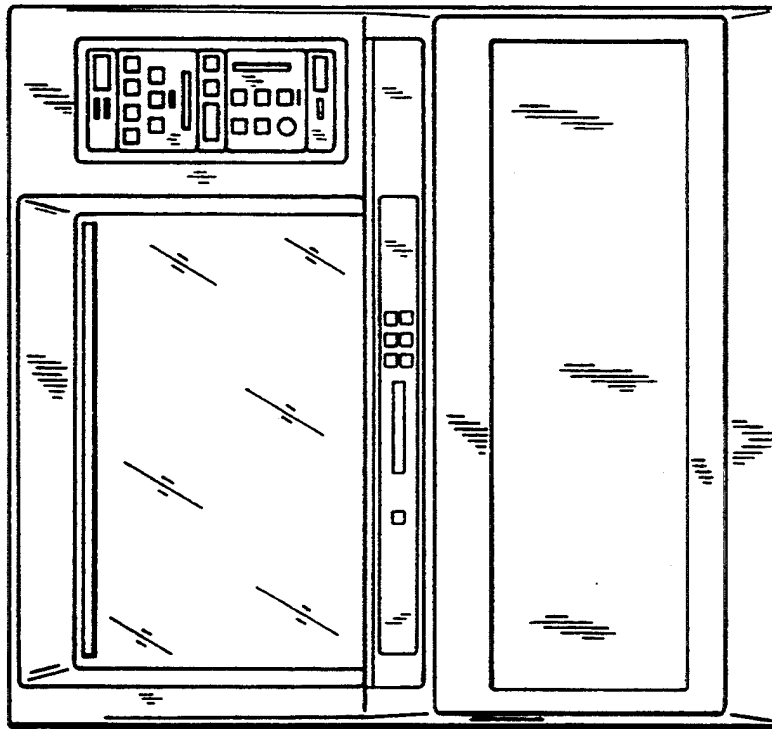
**Fig. 1**



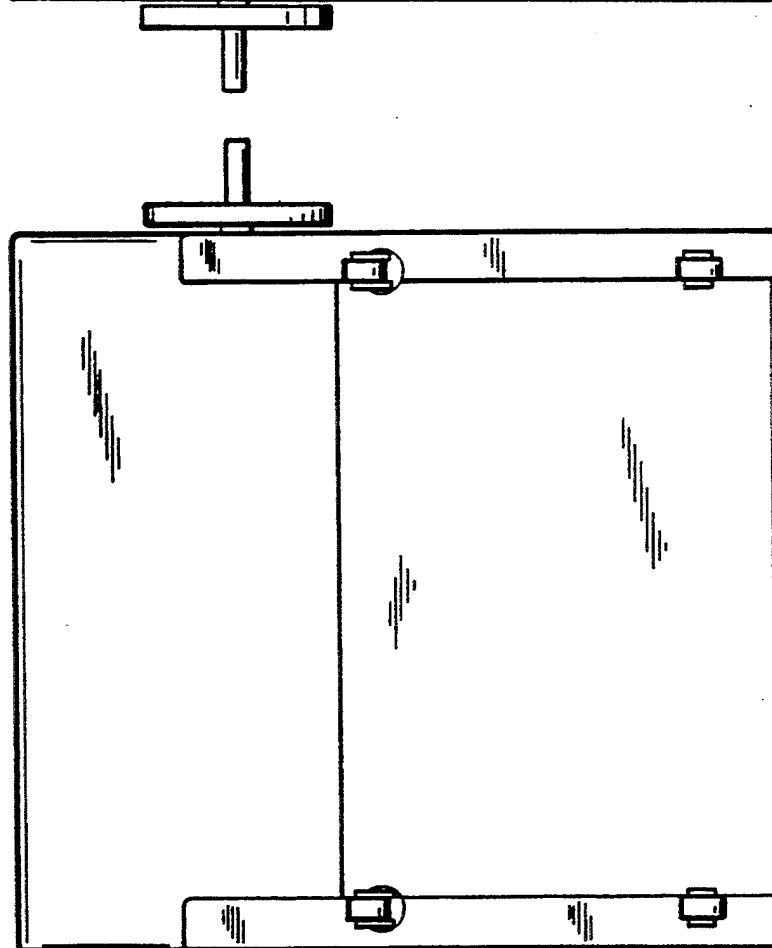
**FIG. 3**



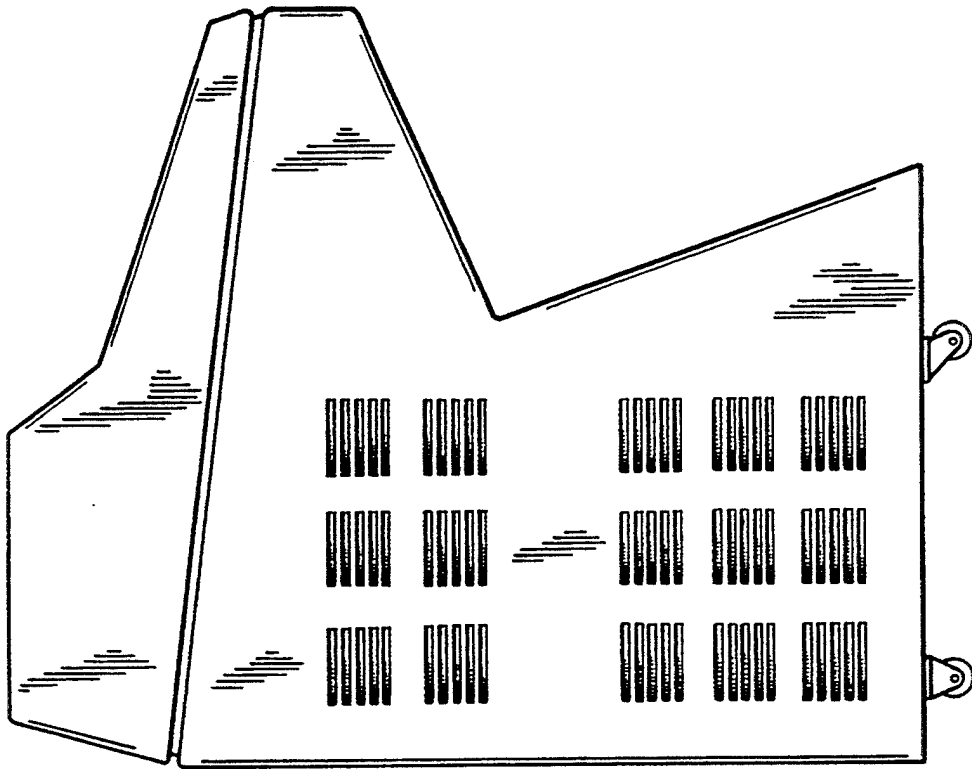
**FIG. 2**



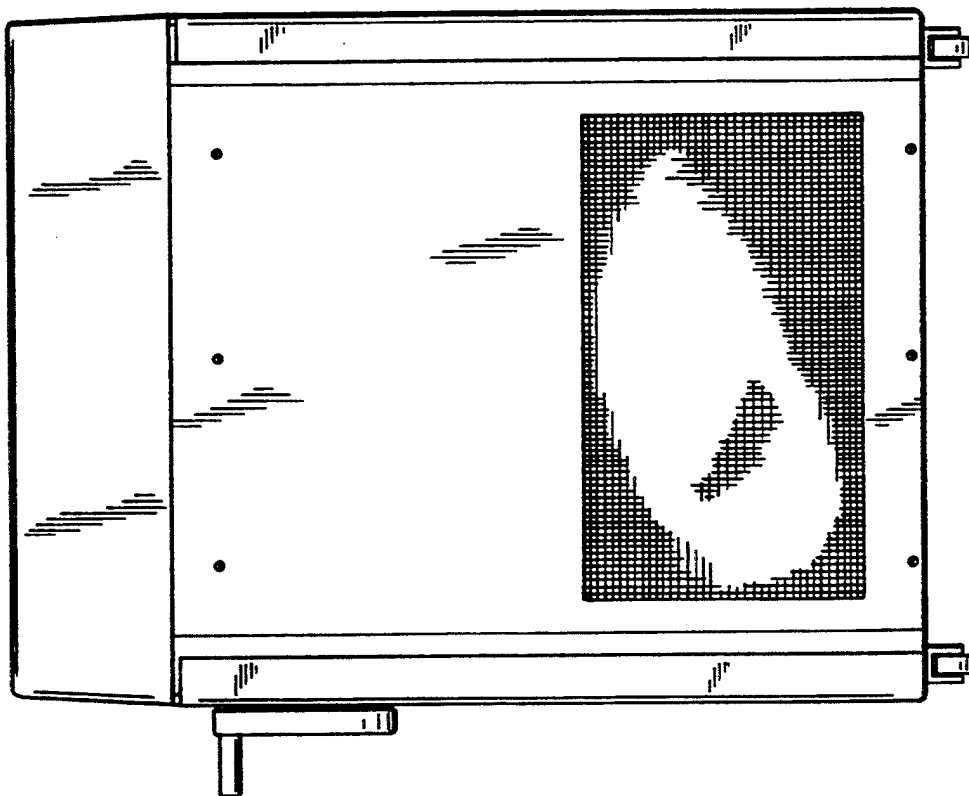
**Fig. 4**



**Fig. 5**



**Fig. 1**



**Fig. 6**