



US00D365547S

United States Patent [19]

Steinwachs et al.

[11] Patent Number: **Des. 365,547**

[45] Date of Patent: ****Dec. 26, 1995**

[54] **LOCKOUT DEVICE FOR CIRCUIT BREAKER**

2208454 3/1989 United Kingdom 200/43.19

[75] Inventors: **Donald E. Steinwachs**, Williamsville;
Scott A. Wardour, Grand Island;
Karen A. Budzinski, West Seneca, all
of N.Y.

[73] Assignee: **Emed Company, Inc.**, Williamsville,
N.Y.

[**] Term: **14 Years**

[21] Appl. No.: **30,987**

[22] Filed: **Nov. 14, 1994**

[52] U.S. Cl. **D13/178**

[58] Field of Search D13/173; 200/43.01,
200/43.16, 43.19, 43.21

[56] **References Cited**

U.S. PATENT DOCUMENTS

2,849,552	8/1958	Firestone	200/42
3,197,581	7/1965	Clifford	200/43.21
4,347,412	8/1982	Mihara et al.	200/42 T
4,733,029	3/1988	Kobayashi et al.	200/43.19 X
4,885,436	12/1989	Pham et al.	200/43.16 X
5,079,390	1/1992	Costanzo et al.	200/43.14
5,147,991	9/1992	Jordan, Sr.	200/43.21 X

FOREIGN PATENT DOCUMENTS

2152286	7/1985	United Kingdom	200/43.19
---------	--------	----------------------	-----------

OTHER PUBLICATIONS

Panduit PSL-CB Circuit Breaker Lockout, Nov. 5, 1993.

Primary Examiner—Joel Sincavage
Attorney, Agent, or Firm—Bean, Kauffman & Spencer

[57] **CLAIM**

The ornamental design for a lockout device for circuit breaker, as shown.

DESCRIPTION

FIG. 1 is a side elevational view of a lockout device for circuit breaker, showing our new design;

FIG. 2 is an opposite side elevational view thereof;

FIG. 3 is an edge view thereof, as viewed from the top of FIG. 1;

FIG. 4 is an edge view thereof, as viewed from the bottom of FIG. 1;

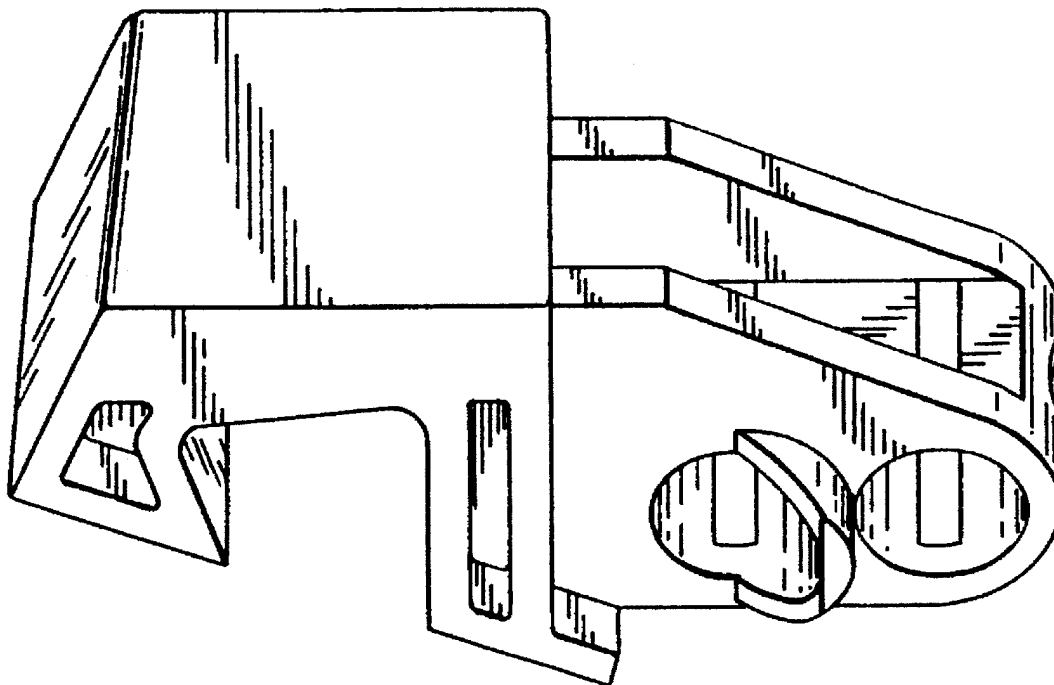
FIG. 5 is an end view thereof, as viewed from the left of FIG. 1;

FIG. 6 is an end view thereof, as viewed from the right of FIG. 1;

FIG. 7 is a perspective view thereof, as viewed from the left and top of FIG. 1; and,

FIG. 8 is a perspective view thereof, as viewed from the right and bottom of FIG. 1.

1 Claim, 3 Drawing Sheets



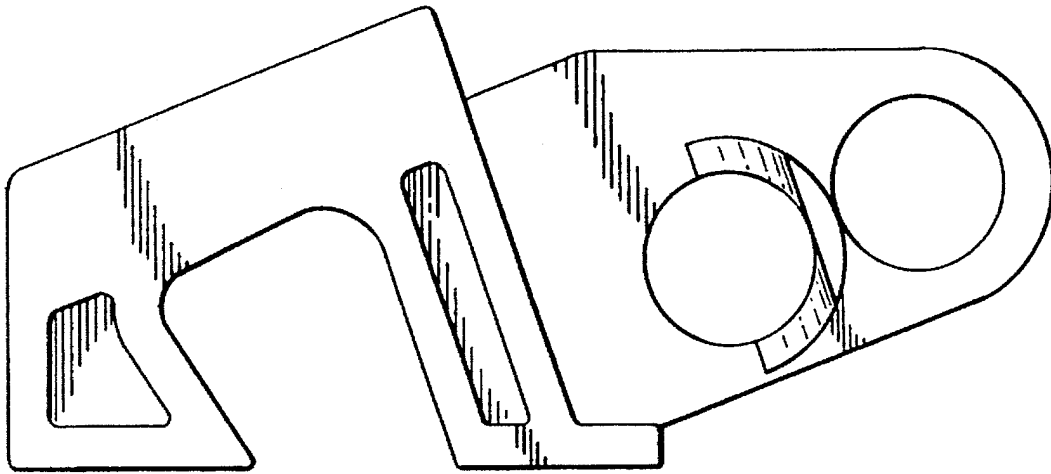


FIG. 1

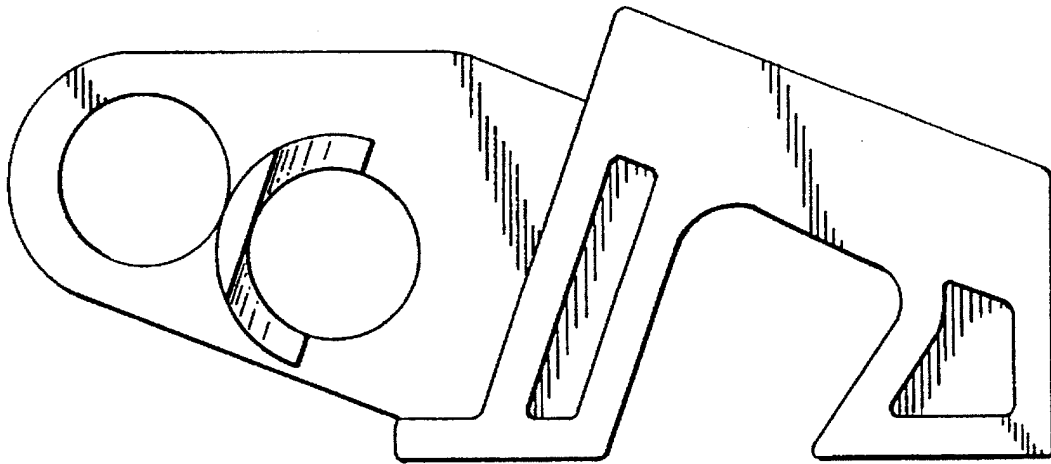


FIG. 2

FIG. 3

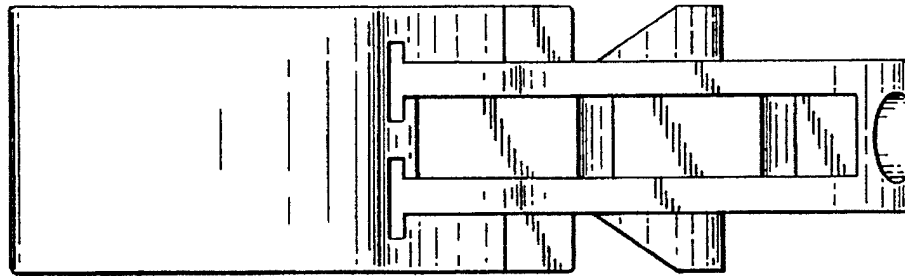


FIG. 4

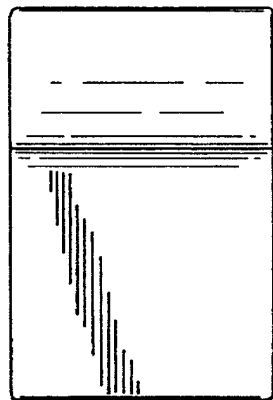
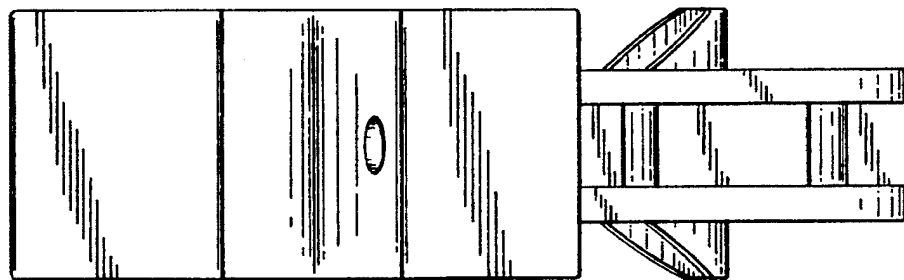


FIG. 5

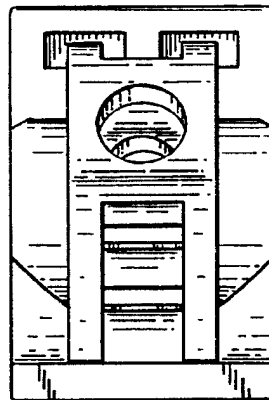


FIG. 6

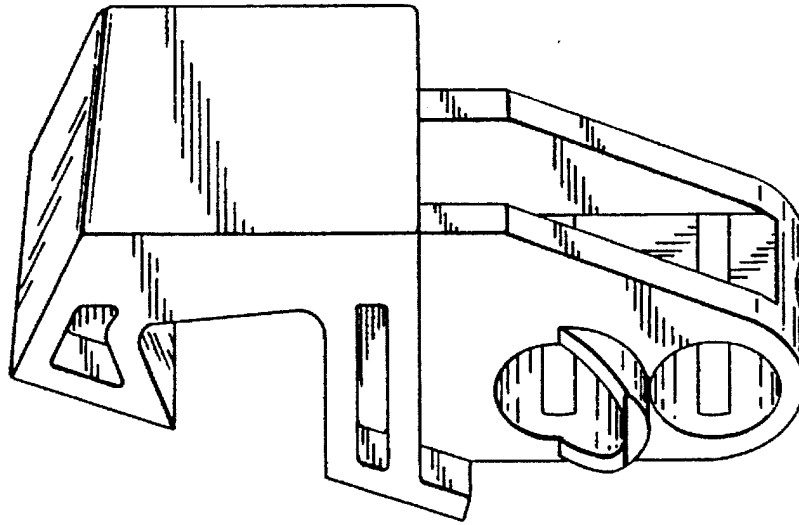


FIG. 7

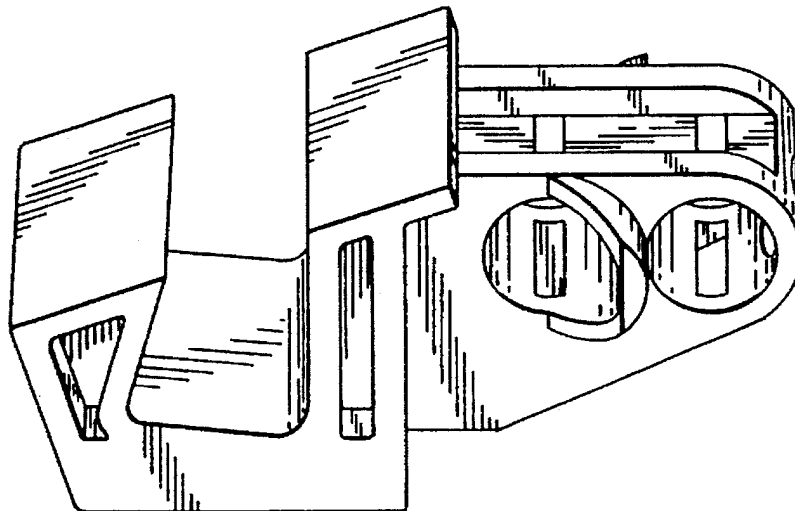


FIG. 8