



US00D367869S

United States Patent [19]

[11] Patent Number: **Des. 367,869**

Hofmann-Igl et al.

[45] Date of Patent: ****Mar. 12, 1996**

[54] STEREOMICROSCOPE

Attorney, Agent, or Firm—Bean, Kauffman & Spencer

[75] Inventors: **Ernest Hofmann-Igl**, Davos-Platz, Switzerland; **Werner Hölbl**, Vienna, Austria

[57] CLAIM

The ornamental design for a stereomicroscope, as shown and described.

[73] Assignee: **Leica Inc.**, Depew, N.Y.

DESCRIPTION

[**] Term: **14 Years**

FIG. 1a is a perspective view of a stereomicroscope showing our new design;

[21] Appl. No.: **19,931**

FIG. 1b is a front elevational view thereof;

[22] Filed: **Mar. 15, 1994**

FIG. 1c is a left side elevational view thereof, the right side being a mirror image of that shown;

[52] U.S. Cl. **D16/131**; D16/130

FIG. 1d is a rear elevational view thereof; and,

[58] Field of Search D16/130, 131, D16/132, 133, 134, 135; 33/233; 248/185; 353/DIG. 3; 354/79; 356/142, 148, 149, 241, 251, 253; 359/382, 383, 384, 399, 405, 407, 419, 430, 802, 804, 809, 810, 811, 816

FIG. 1e is a top plan view thereof.

FIG. 2a is a perspective view of a stereomicroscope showing another embodiment of our new design;

[56] References Cited

U.S. PATENT DOCUMENTS

D. 296,904	7/1988	Lukaszewski	D16/131
D. 355,430	2/1995	Hofmann-Igl	D16/131
2,967,456	1/1961	Maier	D16/131 X
3,572,884	3/1971	Chirayath	D16/131 X
3,778,131	12/1973	Wanesky	359/383
3,798,665	3/1974	Eloranta et al.	D16/131 X

FIG. 2b is a front elevational view thereof;

FIG. 2c is a left side elevational view thereof, the right side being a mirror image of that shown;

FIG. 2d is a rear elevational view thereof; and,

FIG. 2e is a top plan view thereof.

FIG. 3a is a perspective view of a stereomicroscope showing still another embodiment of our new design;

FIG. 3b is a front elevational view thereof;

FIG. 3c is a left side elevational view thereof, the right side being a mirror image of that shown;

FIG. 3d is a rear elevational view thereof;

FIG. 3e is a top plan view thereof; and,

FIG. 3f is a bottom plan view thereof.

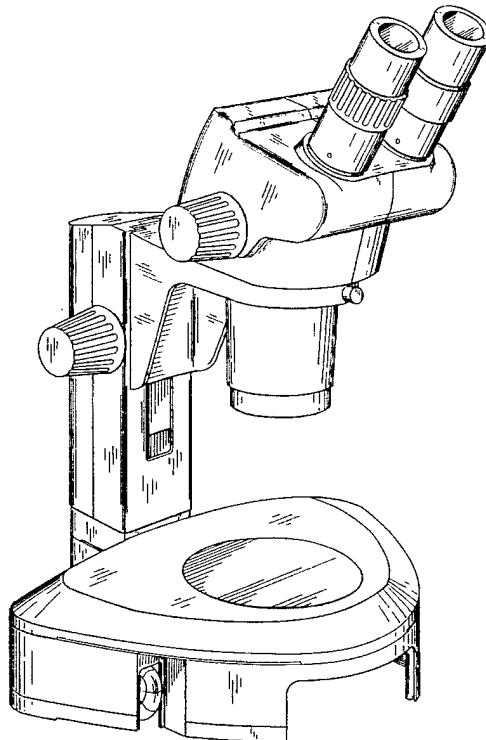
FIGS. 1a, 2a and 3a have been drawn on enlarged scale as compared to the remaining figures.

FOREIGN PATENT DOCUMENTS

1127611	4/1962	Germany	359/384
---------	--------	---------	-------	---------

Primary Examiner—Louis S. Zarfaz
Assistant Examiner—Monica A. Hannon

1 Claim, 10 Drawing Sheets



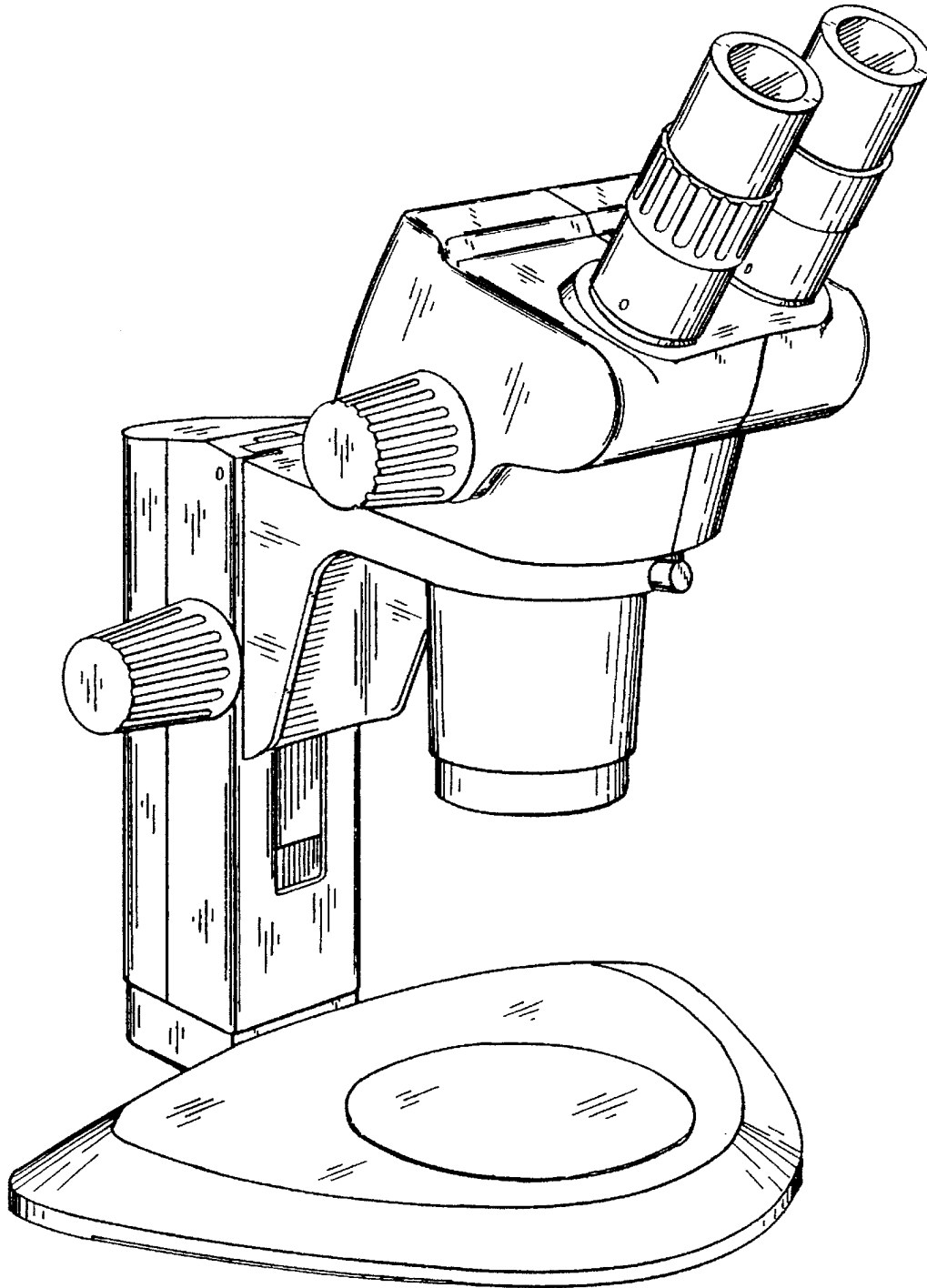


FIG. 1

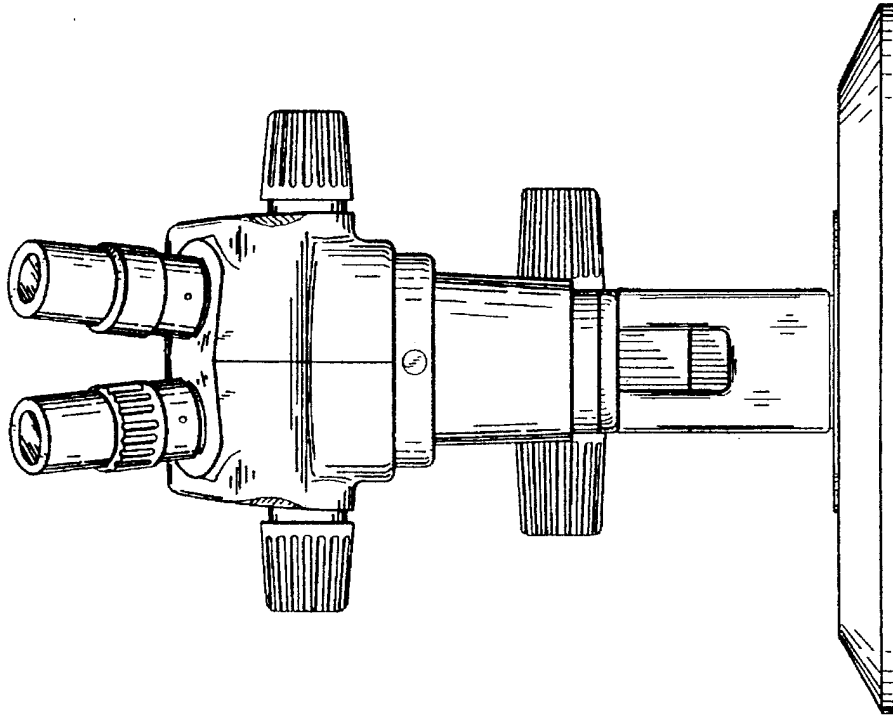


FIG. 2

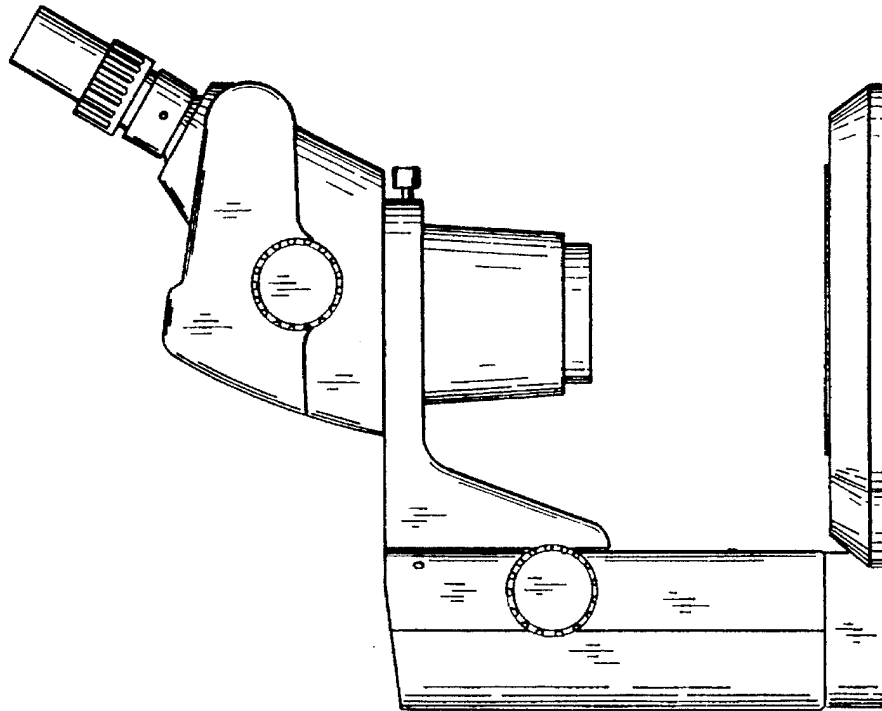


FIG. 3

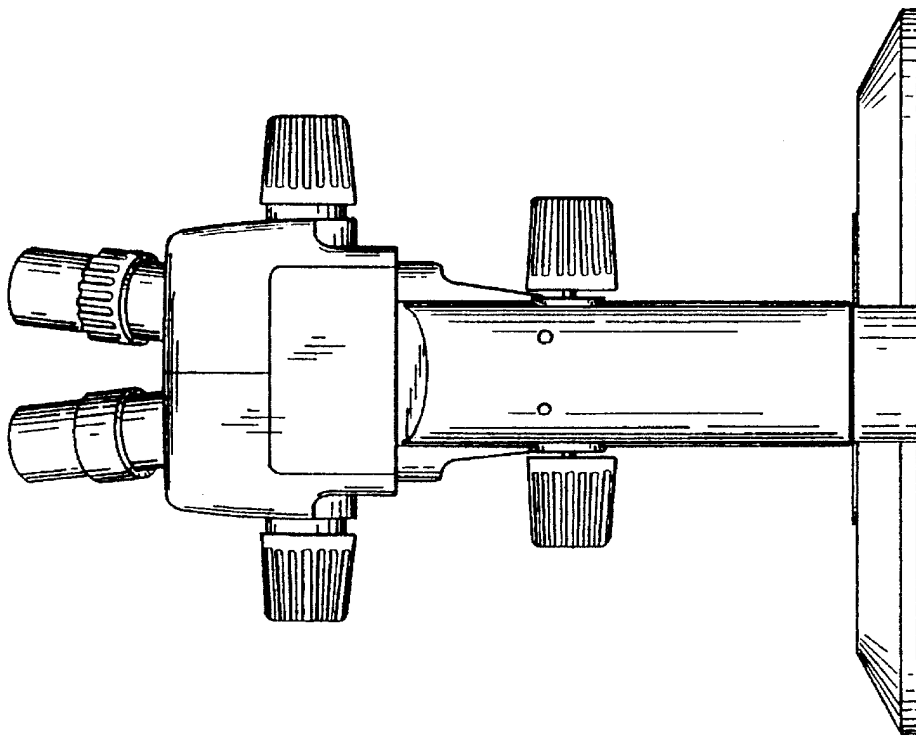


FIG. 4

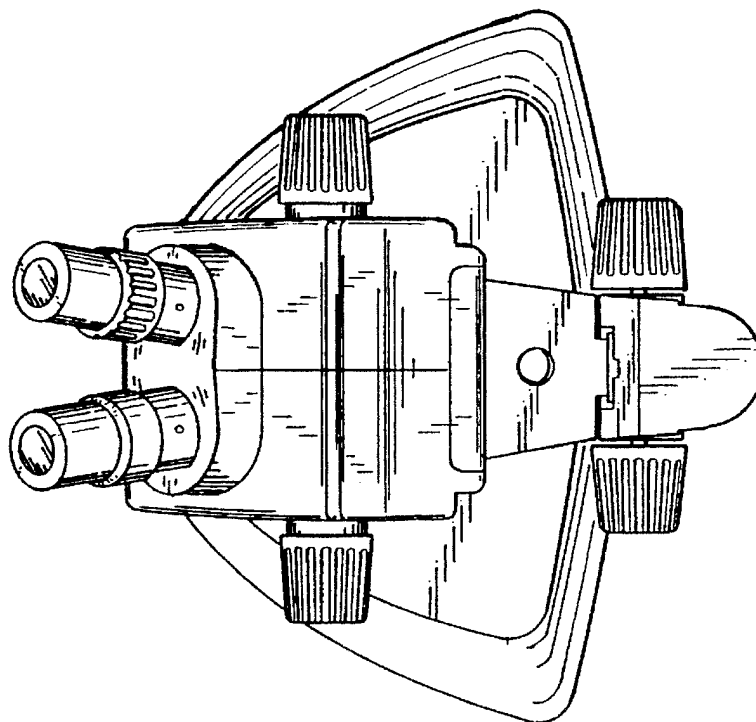


FIG. 5

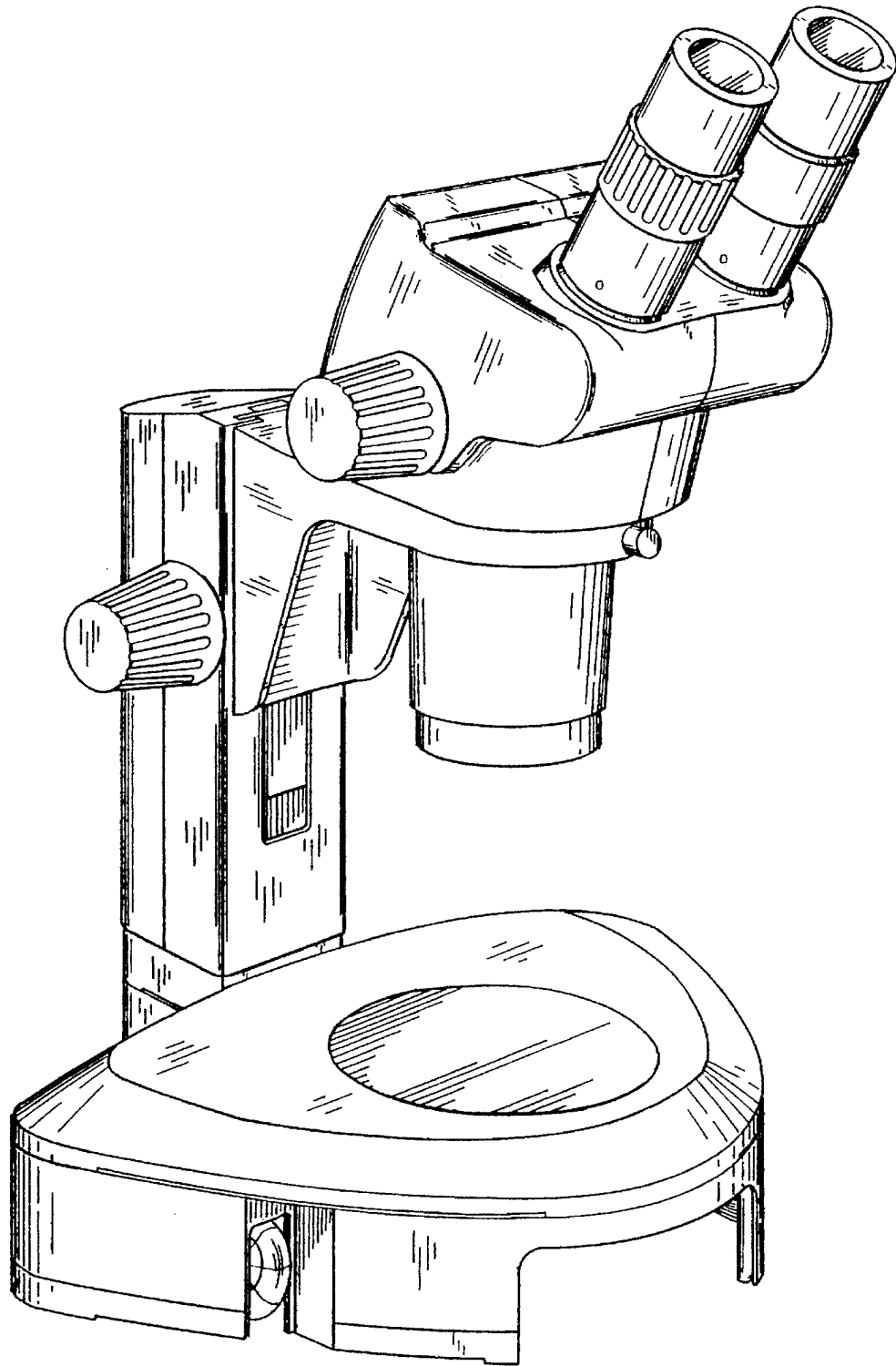


FIG. 6

FIG. 7

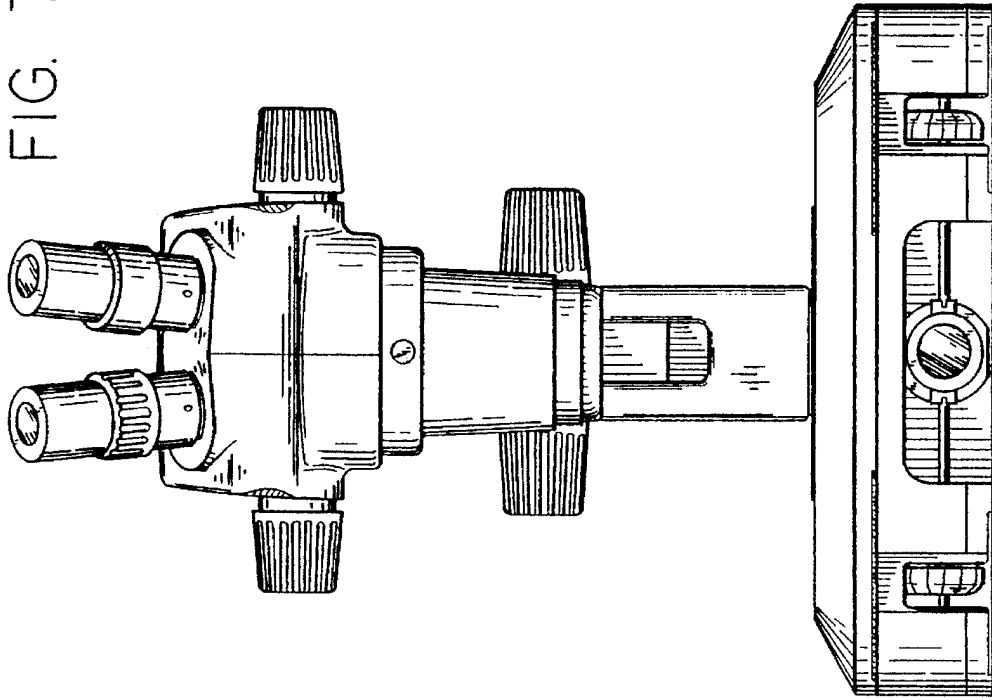


FIG. 8

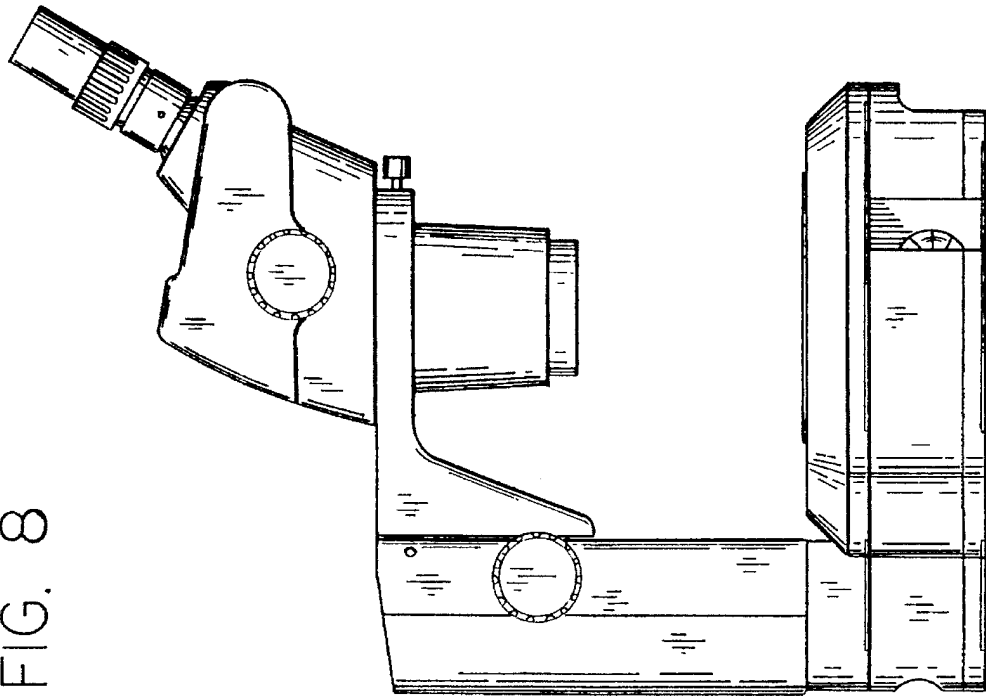


FIG. 9

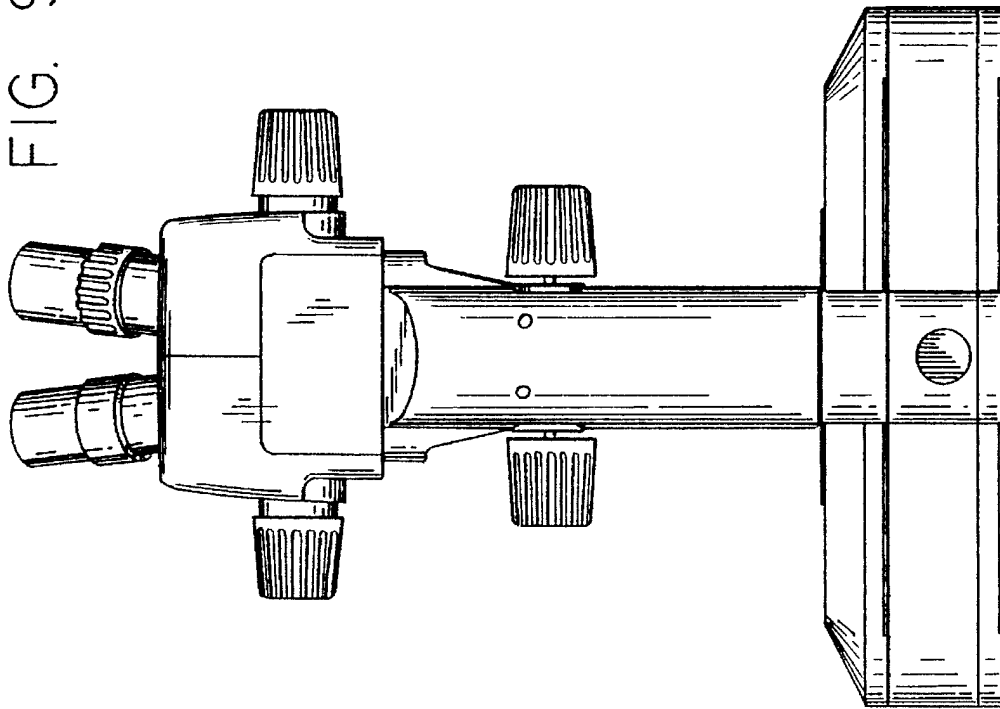
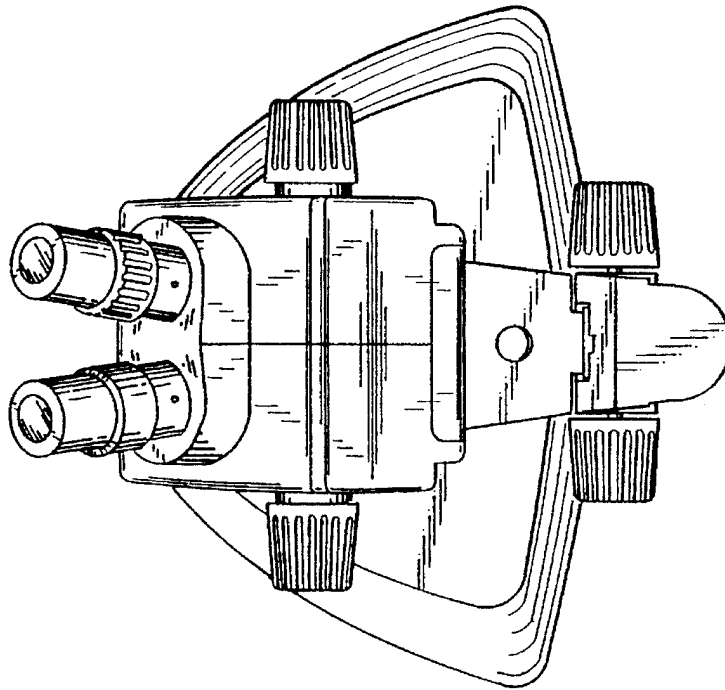


FIG. 10



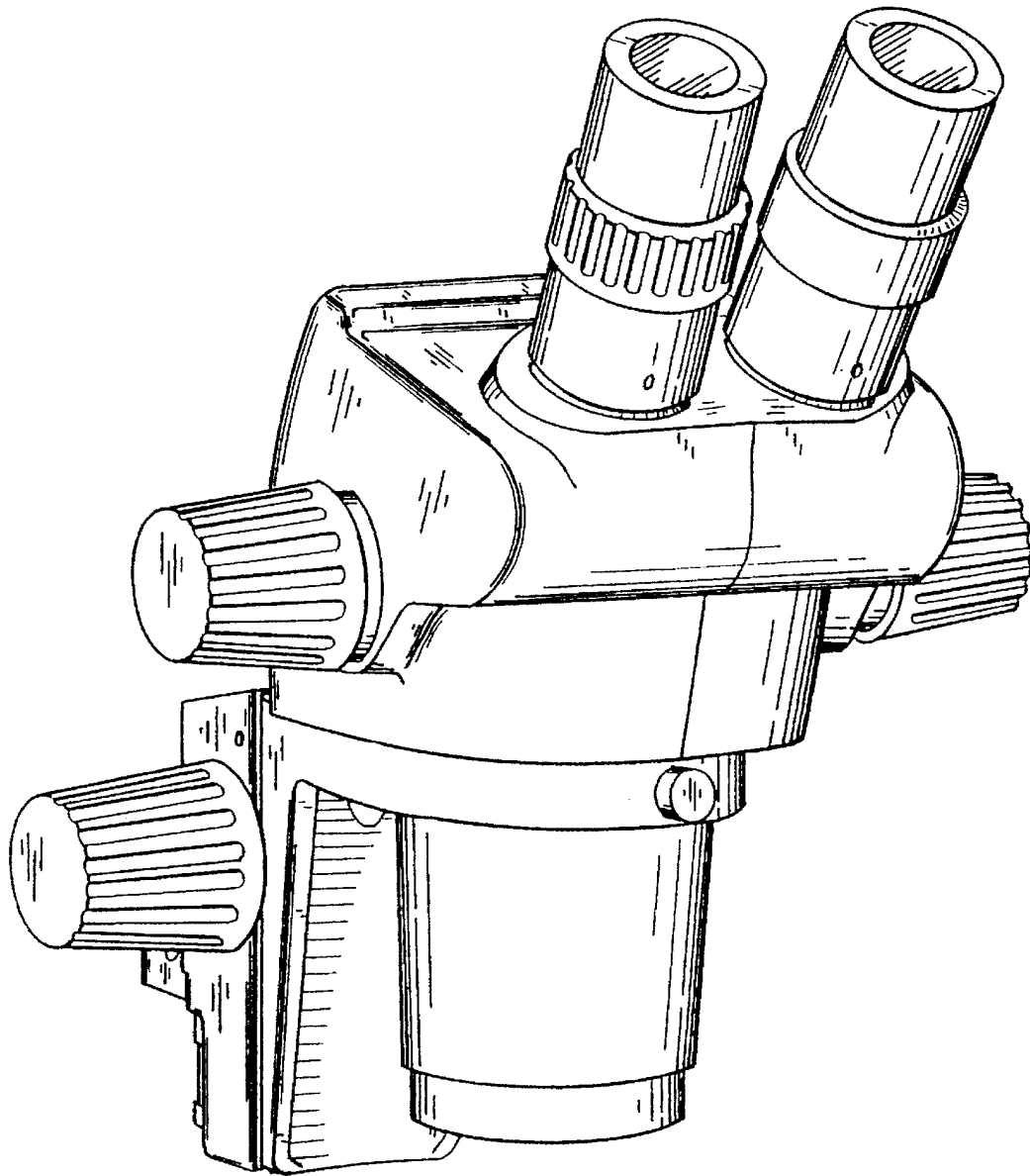


FIG. II

FIG. 12

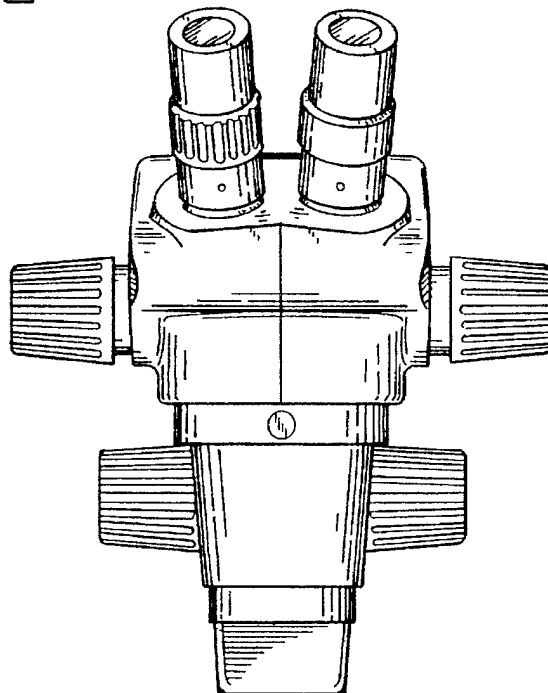


FIG. 13

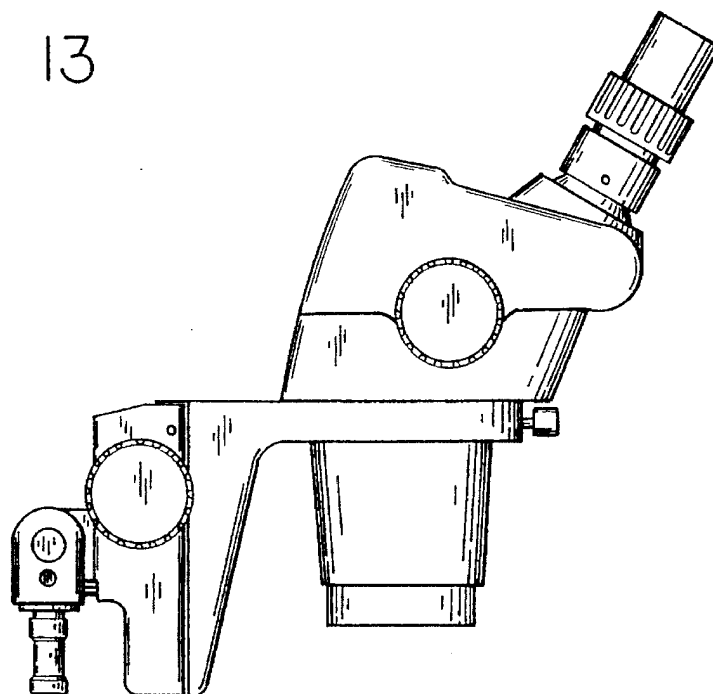


FIG. 14

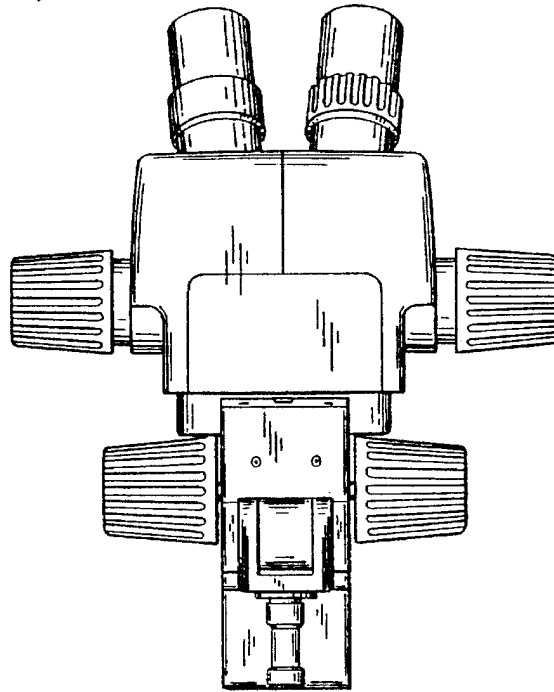
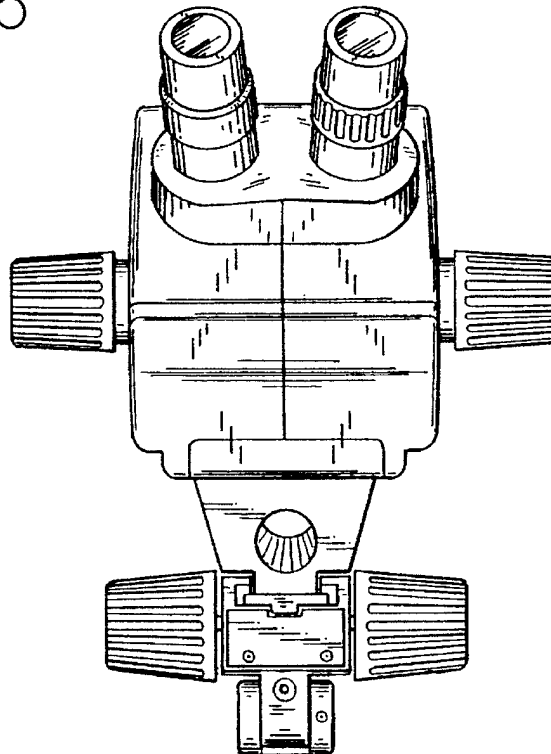


FIG. 15



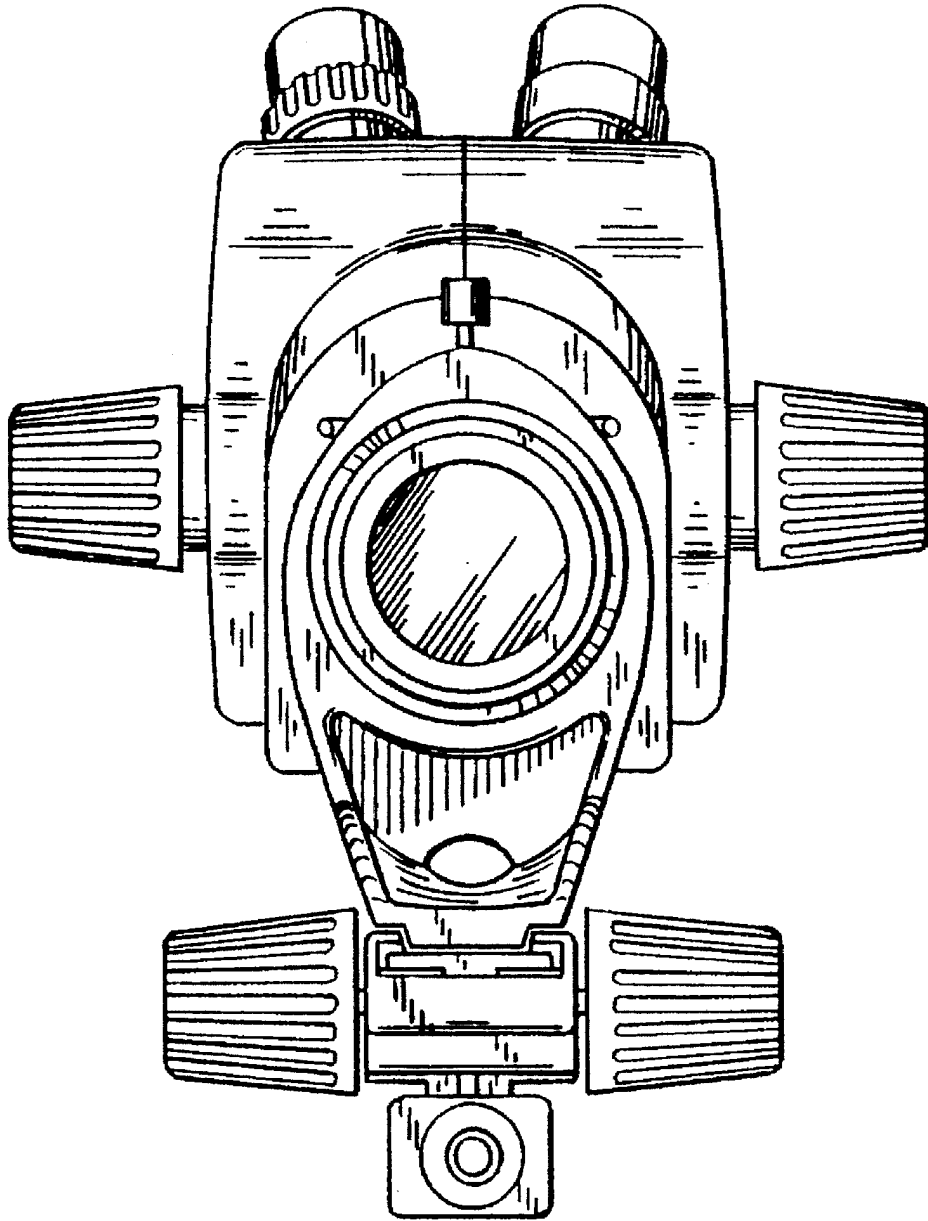


FIG. 16