



US00D369112S

# United States Patent [19]

[11] **Patent Number:** **Des. 369,112**

**Luce et al.**

[45] **Date of Patent:** **\*\*Apr. 23, 1996**

[54] **LENSMETER**

4,123,163	10/1978	Chace et al. ....	356/125
4,203,666	5/1980	Ii et al. ....	356/124
5,396,324	3/1995	Kurachi et al. ....	356/124

[75] Inventors: **David A. Luce**, Clarence Center;  
**Christopher J. Percival**, Williamsville;  
**Paul J. Klock**, Rochester, all of N.Y.

*Primary Examiner*—Antoine Duval Davis  
*Attorney, Agent, or Firm*—Bean, Kauffman & Spencer

[73] Assignee: **Leica Inc.**, Depew, N.Y.

[57] **CLAIM**

[\*\*] Term: **14 Years**

The ornamental design for a lensmeter, as shown and described.

[21] Appl. No.: **31,945**

**DESCRIPTION**

[22] Filed: **Dec. 9, 1994**

[52] U.S. Cl. .... **D10/46; D24/172**

[58] Field of Search ..... **D10/46; D24/172;**  
**73/10; 250/200; 33/502, 507; 351/208,**  
**232; 356/124, 124.5, 125, 126, 127, 128,**  
**243**

FIG. 1 is a top, front, right side perspective view of a lensmeter showing our new design;  
FIG. 2 is a right side elevational view thereof, the left side being a mirror image of that shown;  
FIG. 3 is a front elevational view thereof; and,  
FIG. 4 is a top plan view thereof.

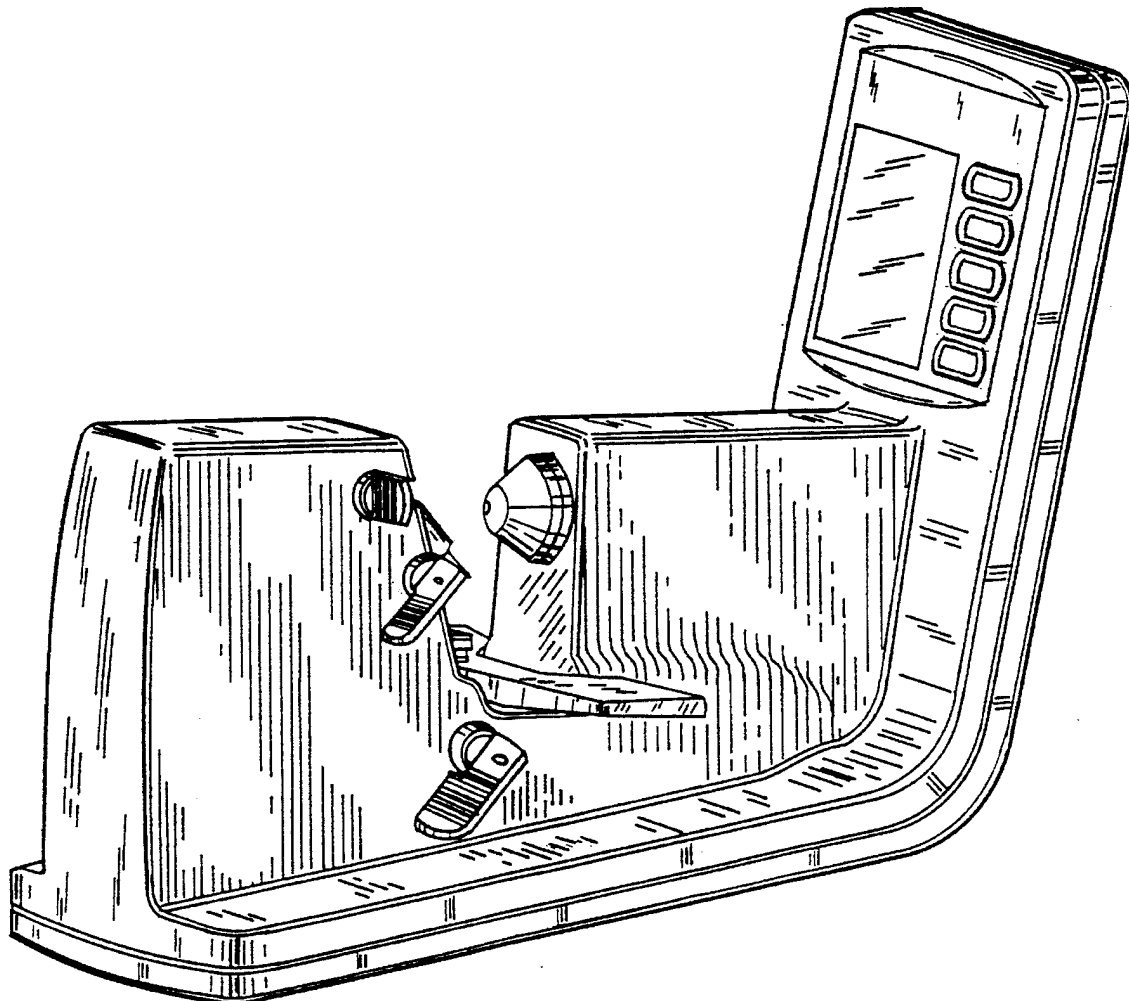
The bottom and rear of said lensmeter are merely plain and include no ornamentality.

[56] **References Cited**

**U.S. PATENT DOCUMENTS**

D. 266,995 11/1982 Nakayama ..... D10/46

**1 Claim, 4 Drawing Sheets**



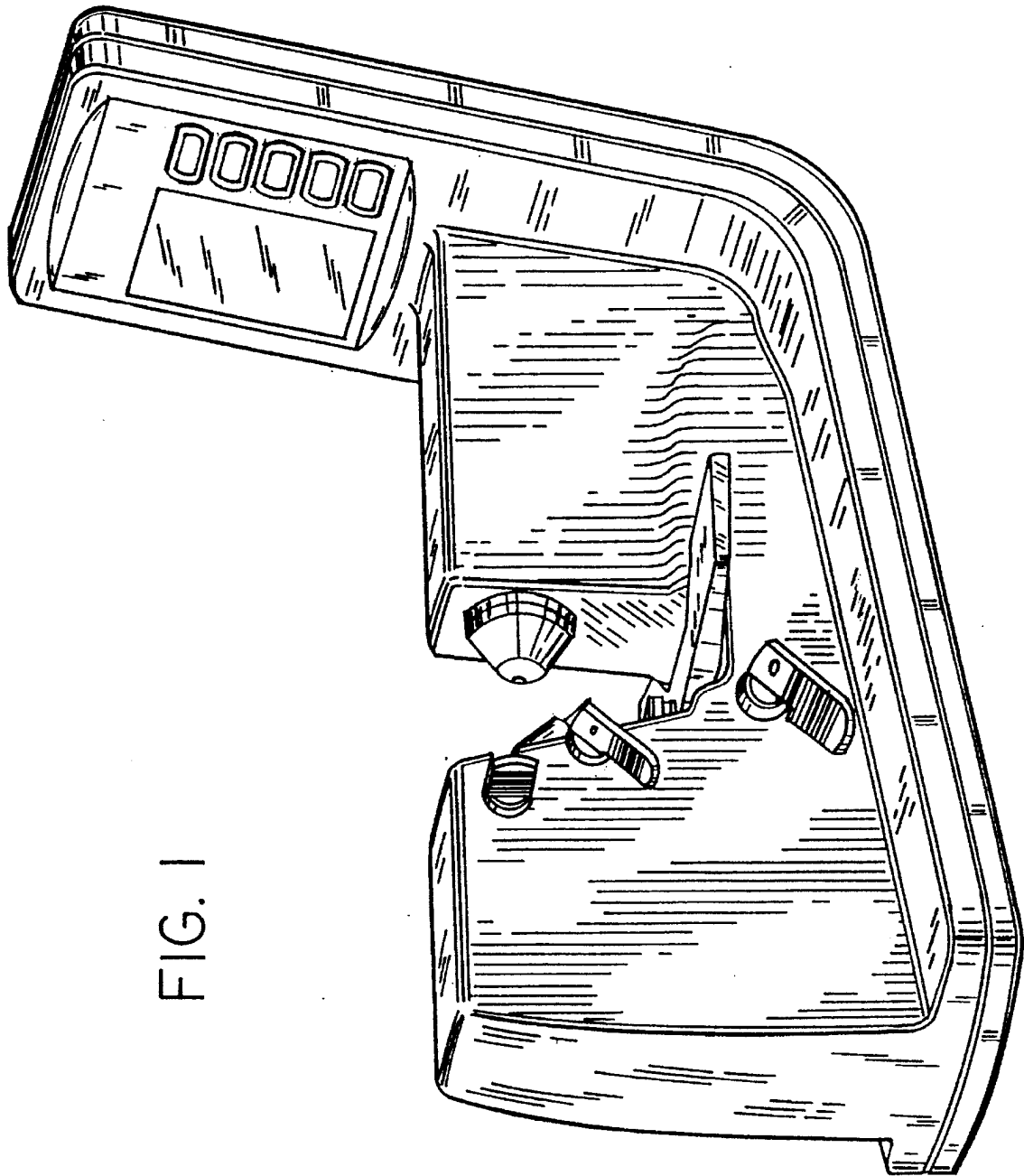


FIG. 1

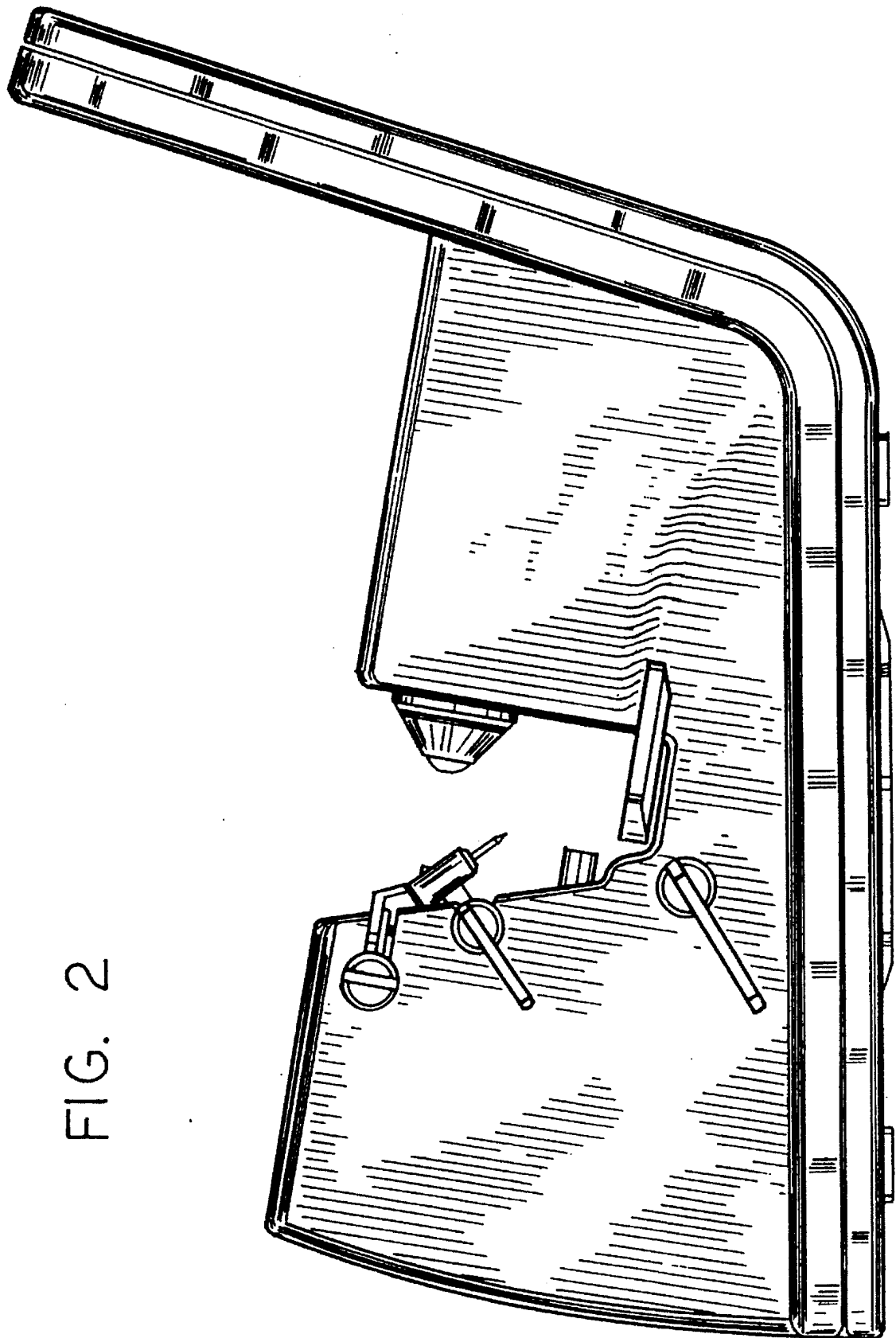


FIG. 2

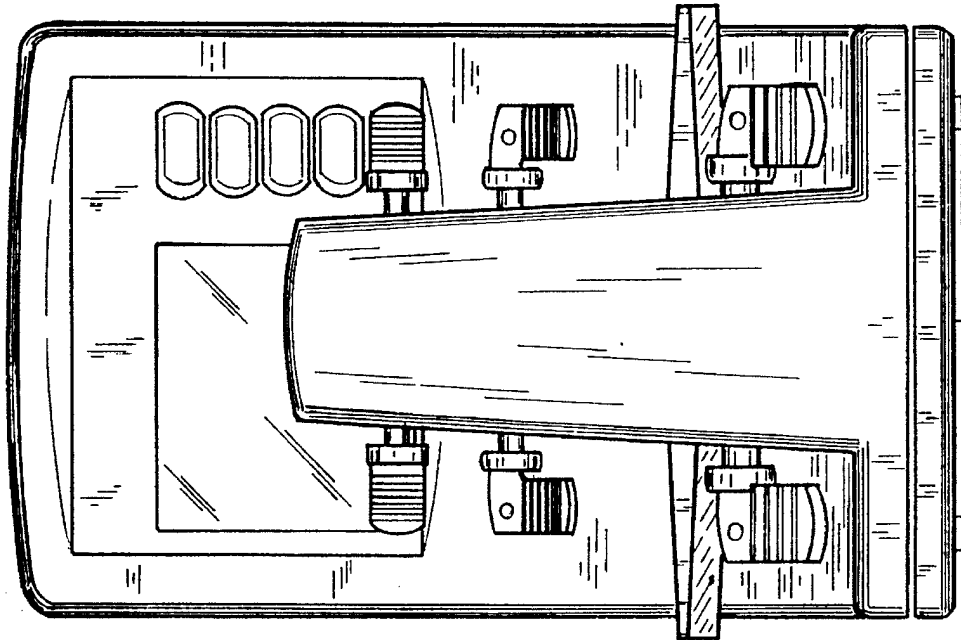


FIG. 3

FIG. 4

