



US00D372434S

United States Patent [19]

[11] **Patent Number: Des. 372,434**

Heary

[45] **Date of Patent: **Aug. 6, 1996**

[54] **AIR TERMINAL**

D. 305,104 12/1989 Heary D10/105

[75] Inventor: **Kenneth P. Heary**, Springville, N.Y.

D. 305,309 1/1990 Heary D10/105

[73] Assignee: **Heary Bros. Lightning Protection Co., Inc.**, Springville, N.Y.

D. 326,422 5/1992 Heary D10/105

D. 339,307 9/1993 Heary D10/105

[**] Term: **14 Years**

Primary Examiner—Marcus A. Jackson

Attorney, Agent, or Firm—Bean, Kauffman & Spencer

[21] Appl. No.: **40,588**

[57] **CLAIM**

The ornamental design for an air terminal, as shown and described.

[22] Filed: **Jun. 22, 1995**

[52] U.S. Cl. **D10/105**

DESCRIPTION

[58] **Field of Search** D10/104, 105,
D10/121; 361/85, 86, 87, 88, 89, 90, 91,
93, 111, 117; 174/1, 2, 3, 4 R, 4 C

FIG. 1 is a top perspective view of an air terminal showing my new design;

FIG. 2 is a side elevational view thereof;

FIG. 3 is a bottom plan view thereof;

FIG. 4 is a top plan view thereof; and,

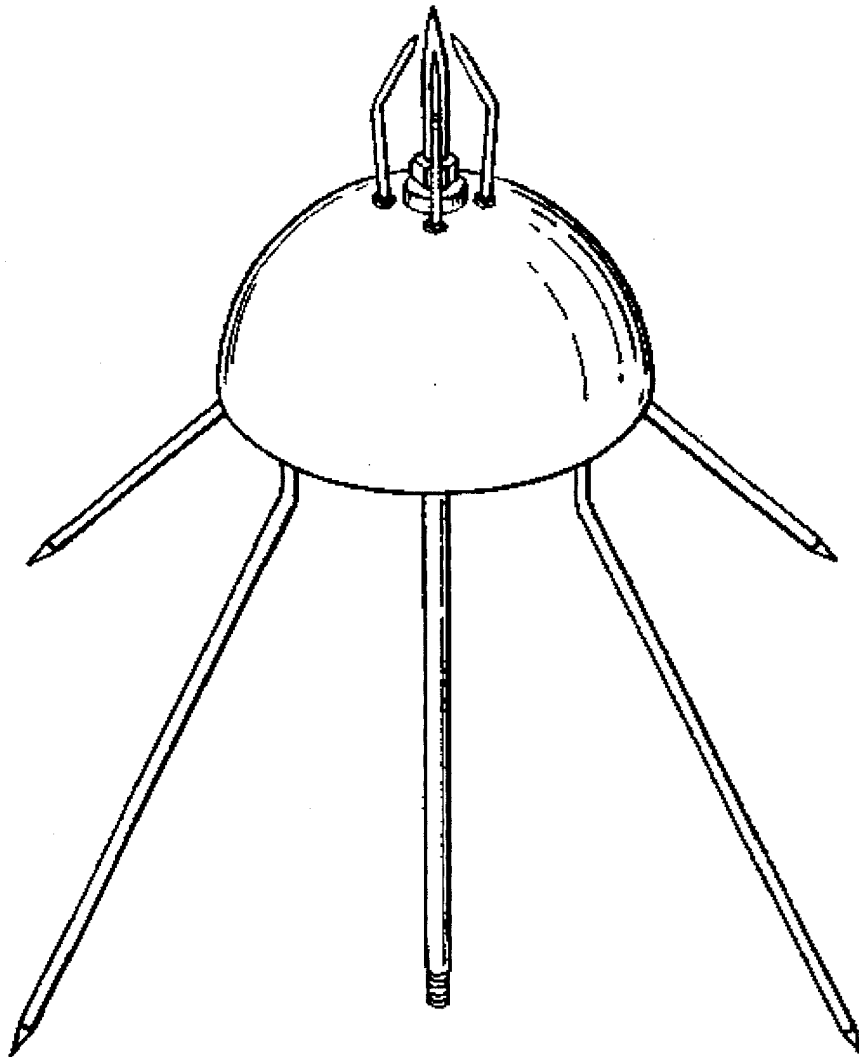
FIG. 5 is a bottom perspective view thereof.

[56] **References Cited**

U.S. PATENT DOCUMENTS

D. 42,173 2/1912 Kretzer D10/105

1 Claim, 3 Drawing Sheets



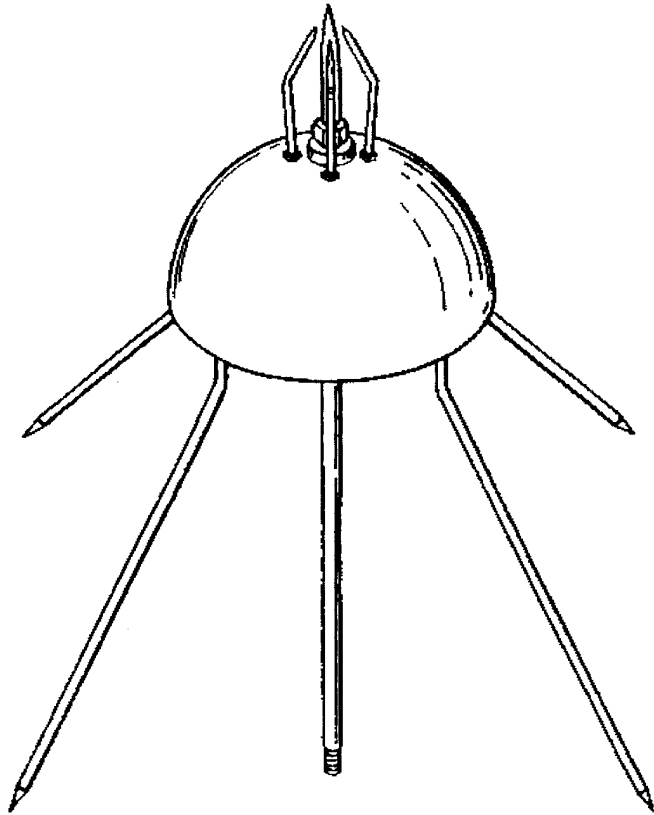


FIG. 1

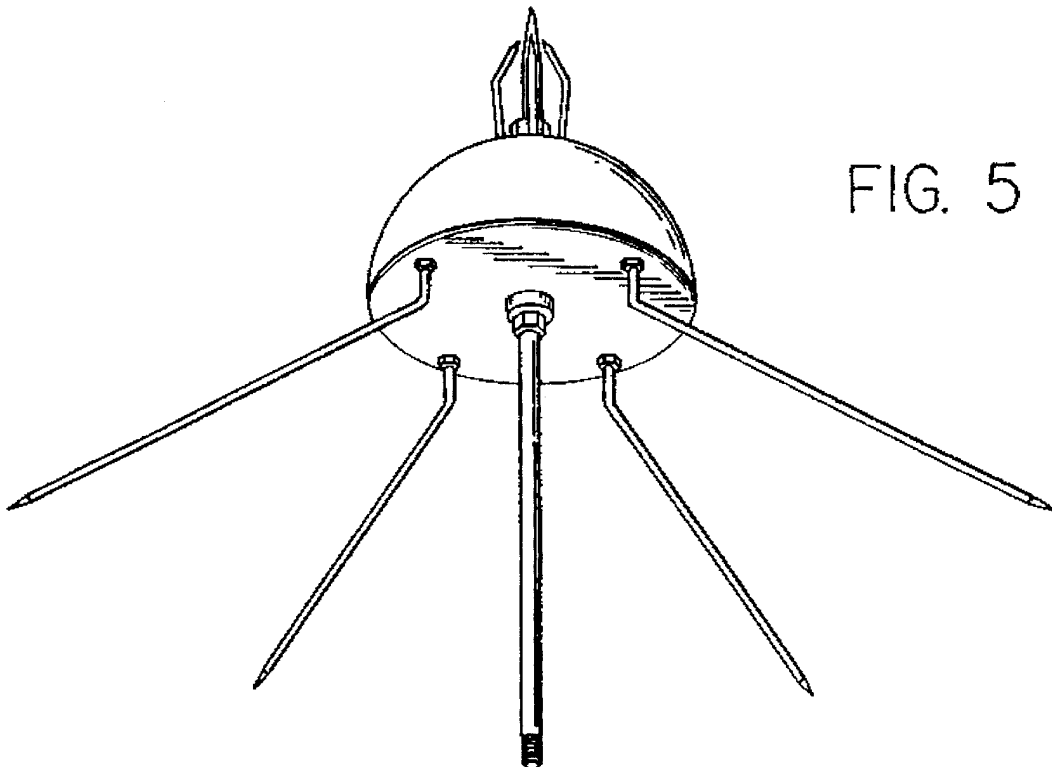


FIG. 5

FIG. 2

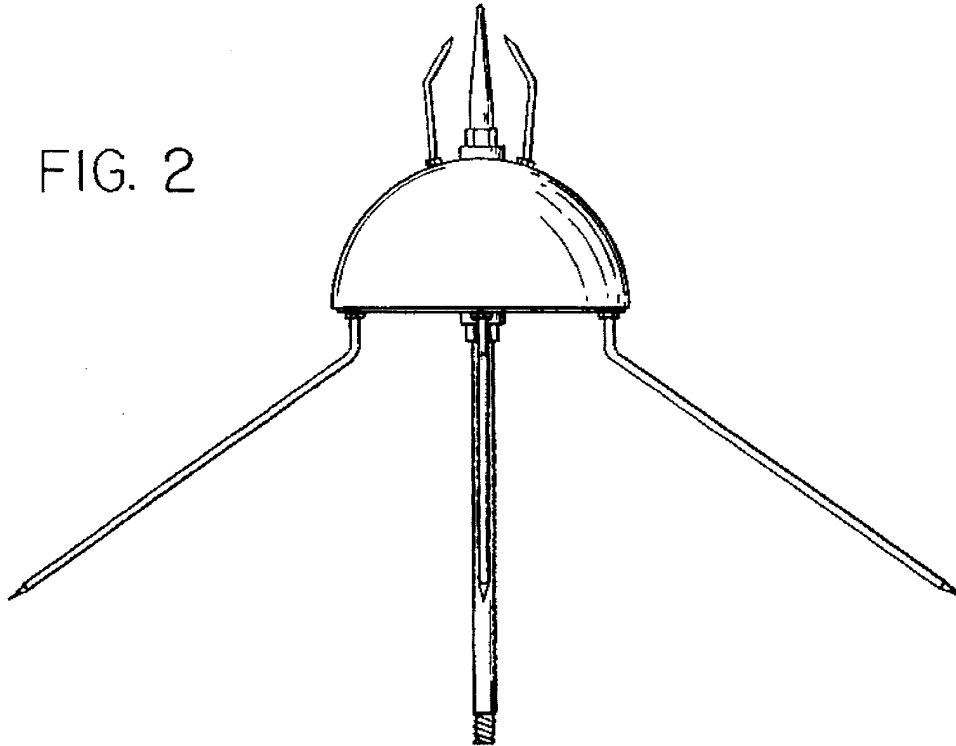


FIG. 3

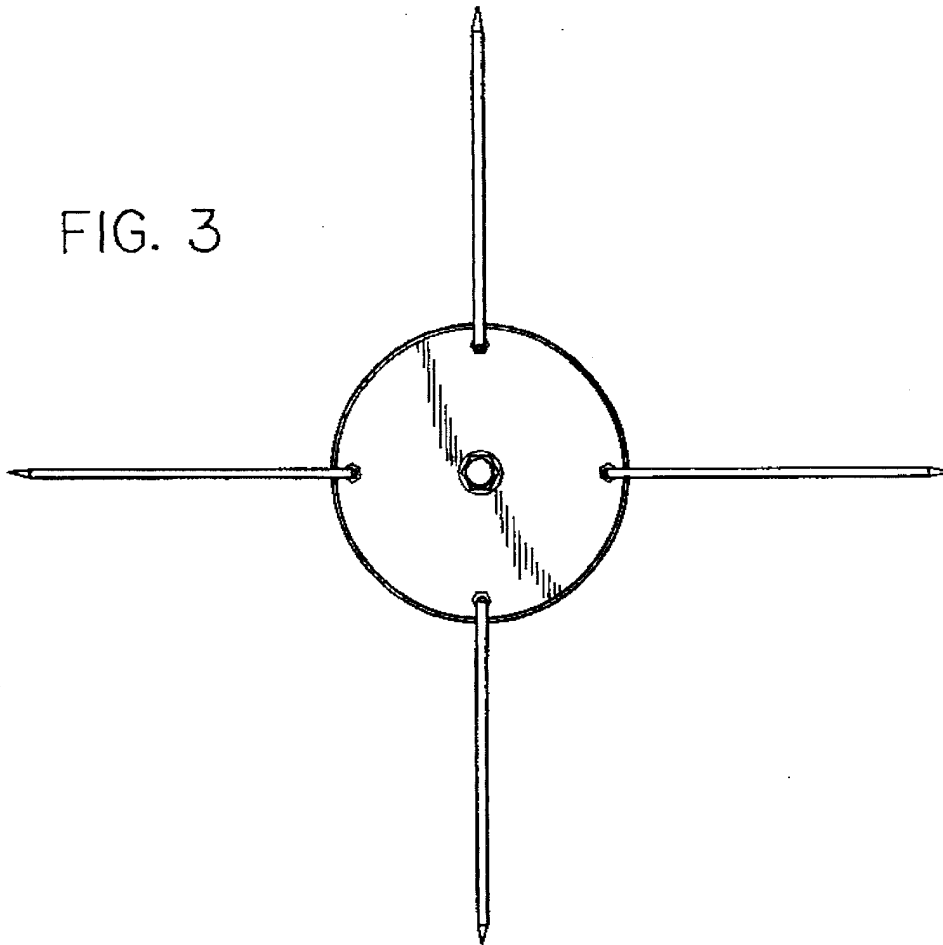


FIG. 4

