



US00D375272S

United States Patent [19]

[11] Patent Number: **Des. 375,272**

Heary

[45] Date of Patent: ****Nov. 5, 1996**

[54] AIR TERMINAL

D. 339,307	9/1993	Heary	D10/105
D. 361,290	8/1995	Fawthrop	D10/105
1,098,738	6/1914	Kretzer	D10/105

[75] Inventor: **Kenneth P. Heary**, Springville, N.Y.

[73] Assignee: **Heary Bros. Lightning Protection Co., Inc.**, Springville, N.Y.

Primary Examiner—Marcus A. Jackson
Attorney, Agent, or Firm—Bean, Kauffman & Spencer

[**] Term: **14 Years**

[57] CLAIM

[21] Appl. No.: **43,232**

The ornamental design for an air terminal, as shown and described.

[22] Filed: **Jul. 27, 1995**

DESCRIPTION

[52] U.S. Cl. **D10/105**

[58] Field of Search D10/104, 105,
D10/109, 121; 361/85, 86, 88, 87, 111,
117, 118; 174/2, 3, 4 R, 4 C

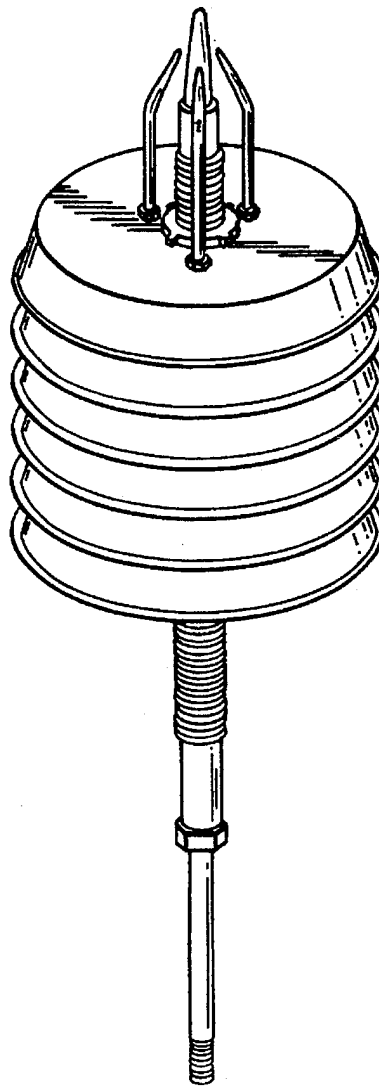
FIG. 1 is a top perspective view of an air terminal showing my new design;
FIG. 2 is a side elevational view thereof;
FIG. 3 is a side elevational view showing the side opposite that shown in FIG. 2;
FIG. 4 is a top plan view thereof;
FIG. 5 is a bottom plan view thereof; and,
FIG. 6 is a bottom perspective view thereof.

[56] References Cited

U.S. PATENT DOCUMENTS

D. 305,104	12/1989	Heary	D10/105
D. 326,422	5/1992	Heary	D10/105
D. 339,306	9/1993	Fawthrop	D10/105

1 Claim, 3 Drawing Sheets



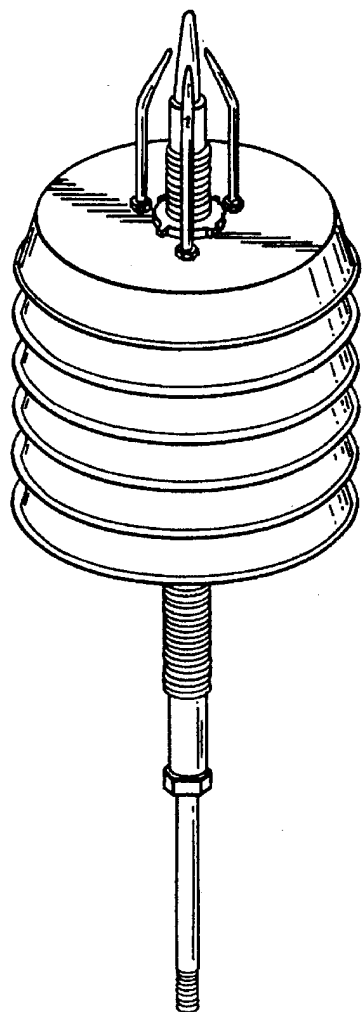


FIG. 1

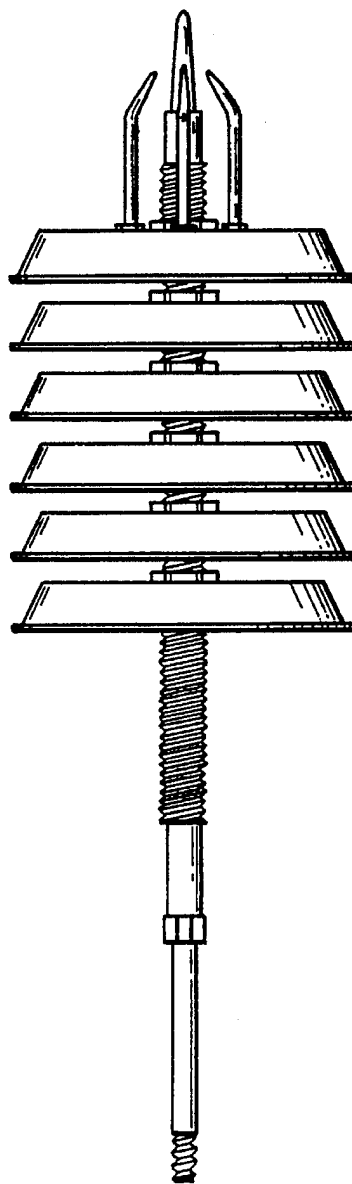


FIG. 2

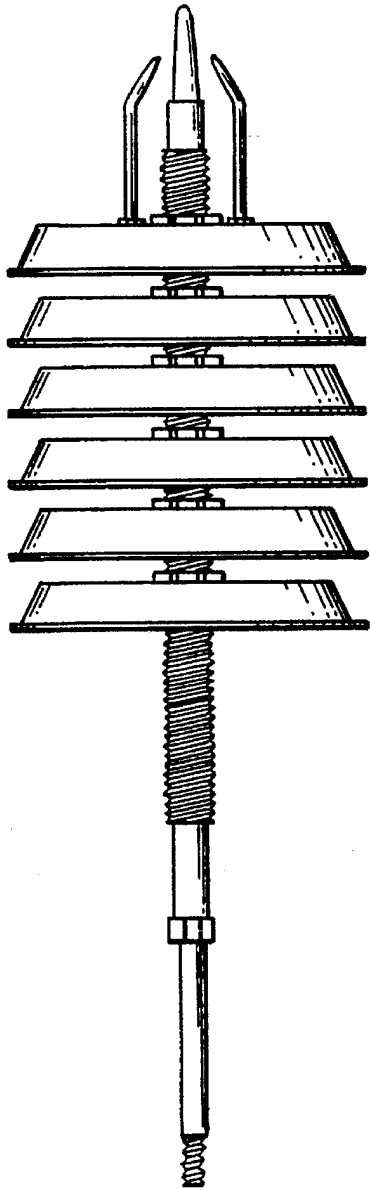


FIG. 3

FIG. 4

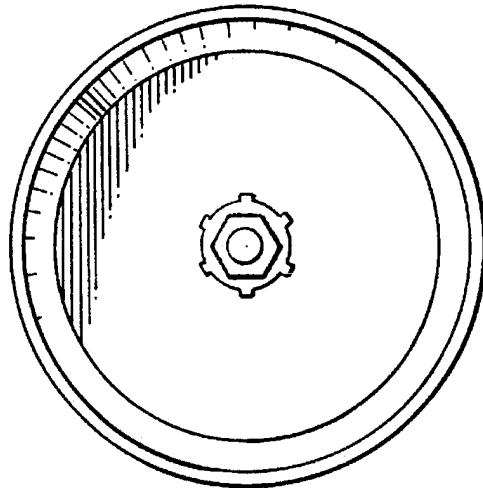
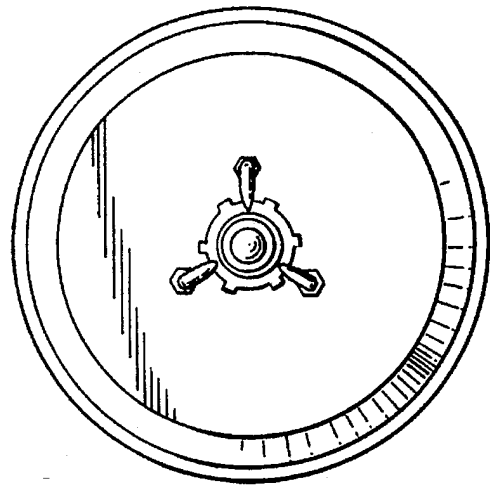


FIG. 5

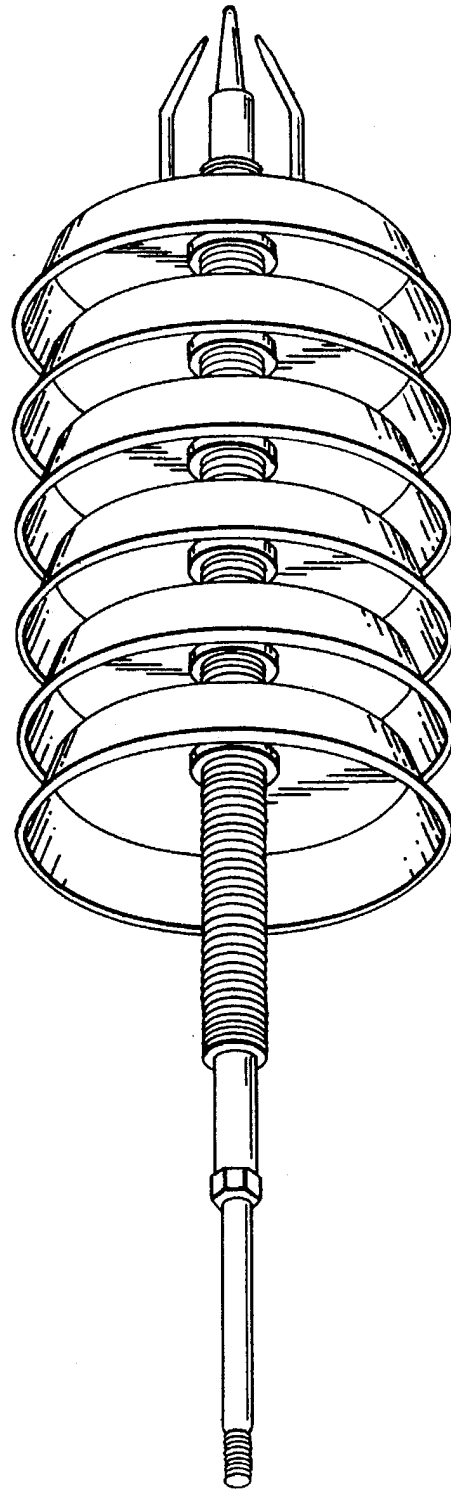


FIG. 6