



US00D385171S

# United States Patent [19]

[11] Patent Number: Des. 385,171

Lehman

[45] Date of Patent: \*\*Oct. 21, 1997

- [54] **MUFFLER FOR A PNEUMATICALLY POWERED TOOL**
- [75] Inventor: **Frank D. Lehman**, Wilson, N.Y.
- [73] Assignee: **Dynabrade, Inc.**, Clarence, N.Y.
- [\*\*] Term: **14 Years**
- [21] Appl. No.: **56,153**
- [22] Filed: **Jun. 24, 1996**
- [51] LOC (6) Cl. .... **15-01**
- [52] U.S. Cl. .... **D8/70**
- [58] Field of Search ..... D8/70; D15/5, D15/6; 30/381; 60/317, 320, 370, 407, 469; 123/41.65, 41.7; 173/DIG. 2, 219; 181/230, 240, 258, 265, 275

5,581,055 12/1996 Self et al. .... 181/230

*Primary Examiner*—Antoine Duval Davis  
*Attorney, Agent, or Firm*—Bean, Kauffman & Snyder

### [57] CLAIM

The ornamental design for a muffler for a pneumatically powered tool, as shown and described.

### DESCRIPTION

FIG. 1 is a side elevational view of a muffler for a pneumatically powered tool showing my new design, as viewed when removably attached to a pneumatically powered tool; FIG. 2 is a perspective view thereof; FIG. 3 is a side elevational view thereof; FIG. 4 is an end view thereof, as viewed from the left of FIG. 3; and, FIG. 5 is an end view thereof, as viewed from the right of FIG. 3.

The broken line showing is for illustrative purposes only and forms no part of the claimed design.

- [56] **References Cited**
- U.S. PATENT DOCUMENTS
- 5,500,494 3/1996 Ligman ..... 181/230

1 Claim, 2 Drawing Sheets

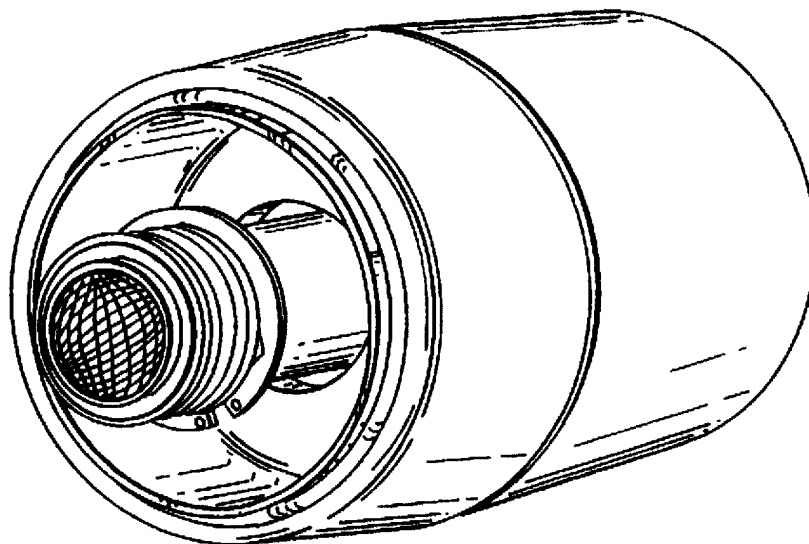


FIG. 1

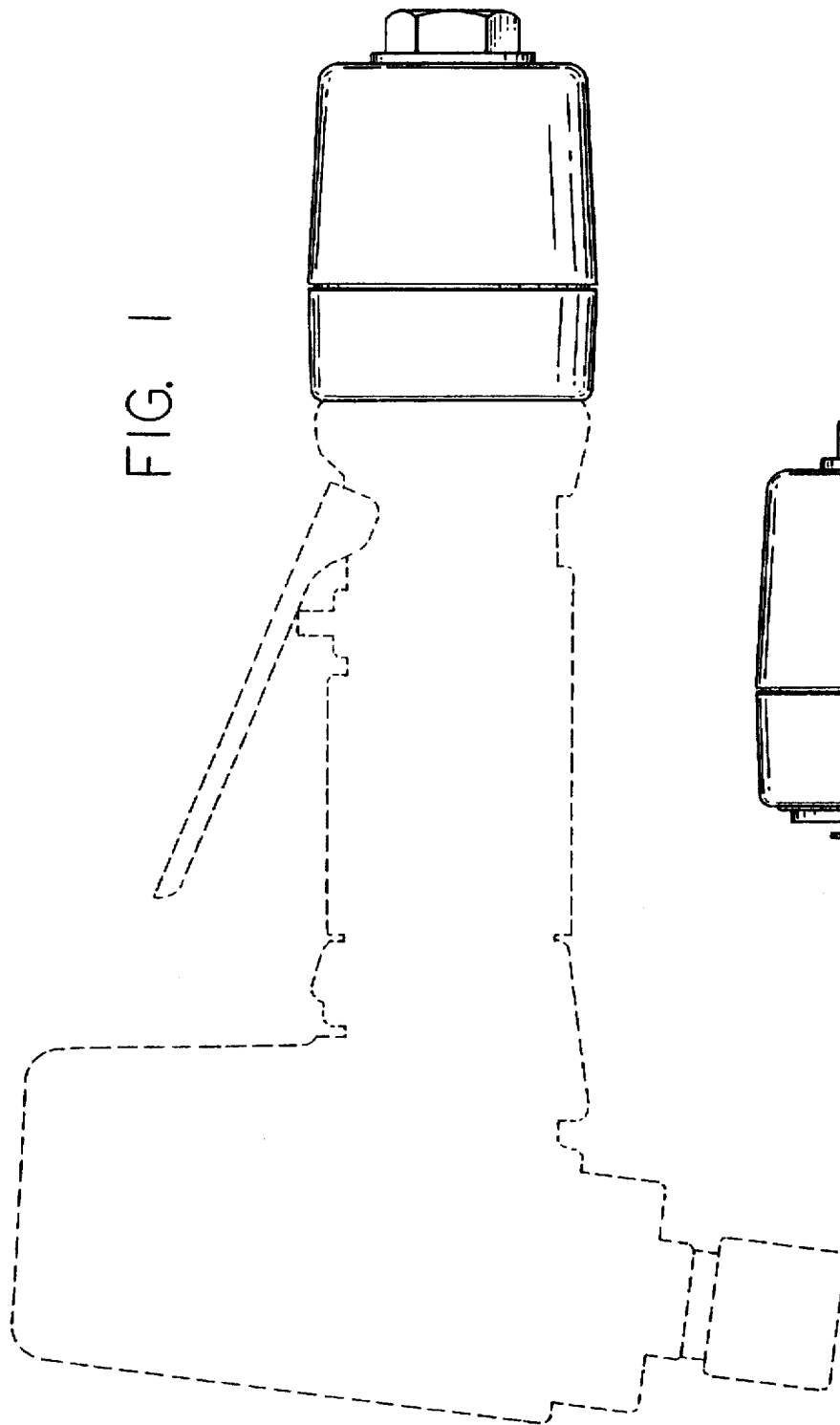


FIG. 3

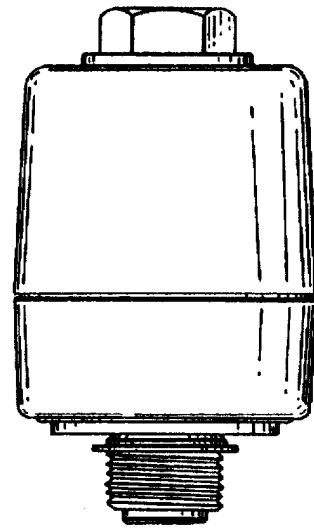


FIG. 2

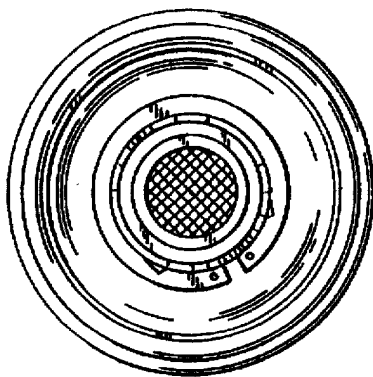
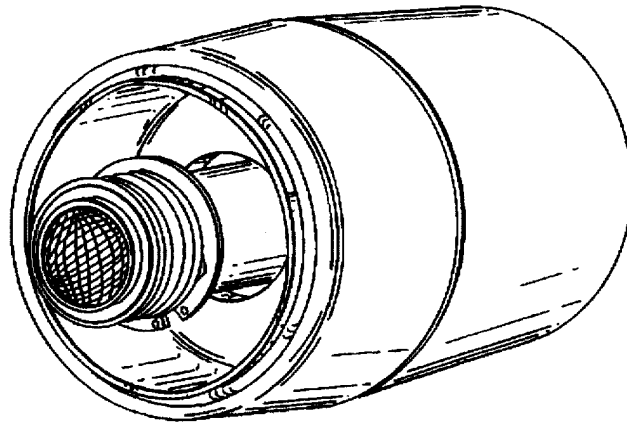


FIG. 4

FIG. 5

