



US00D427267S

United States Patent [19]

[11] Patent Number: **Des. 427,267**

Laperle et al.

[45] Date of Patent: **** Jun. 27, 2000**

[54] **GOLF PUTTING BLOCK**

[76] Inventors: **Jean Pierre Laperle**, 461½ Guy Street, Ottawa, Ontario, Canada, K1K 1C1;
Oksana Yarosh, 29 Qualicum Street, Nepean, Ontario, Canada, K2H 7H1

[**] Term: **14 Years**

[21] Appl. No.: **29/099,853**

[22] Filed: **Jan. 29, 1999**

[51] **LOC (7) Cl.** **21-02**

[52] **U.S. Cl.** **D21/791**

[58] **Field of Search** D21/789-795;
473/150, 157, 173, 251

[56] **References Cited**

U.S. PATENT DOCUMENTS

D. 321,544	11/1991	Axne	D21/793
D. 382,929	8/1997	DeBlieux et al.	D21/794
D. 400,631	11/1998	Moore	D21/791

Primary Examiner—Mitchell Siegel
Attorney, Agent, or Firm—Simpson, Simpson & Snyder

[57] **CLAIM**

The ornamental design for golf putting block, as shown and described.

DESCRIPTION

FIG. 1 is an exploded perspective view of the article to which the industrial design is applied.

FIG. 2 is a top plan view of the article as shown in FIG. 1, with inserts in place, the bottom plan view being the same.

FIG. 3 is a front elevational view of the article of FIG. 2.

FIG. 4 is a left side view of the article of FIG. 2.

FIG. 5 is a rear view of the article of FIG. 2.

FIG. 6 is a right side view of the article of FIG. 2.

FIG. 7 is a top plan view of the article to which the design is applied without the inserts, the bottom view being the same shown for clarity of illustration.

FIG. 8 is a front elevational view of the article of FIG. 7.

FIG. 9 is a left side view of the article of FIG. 7.

FIG. 10 is a rear view of the article of FIG. 7.

FIG. 11 is a right side view of the article of FIG. 7.

FIG. 12 is a reduced top plan view of an insert, the left insert as seen in FIG. 1, the bottom view being the same and the right insert being a mirror image thereof shown for clarity of illustration.

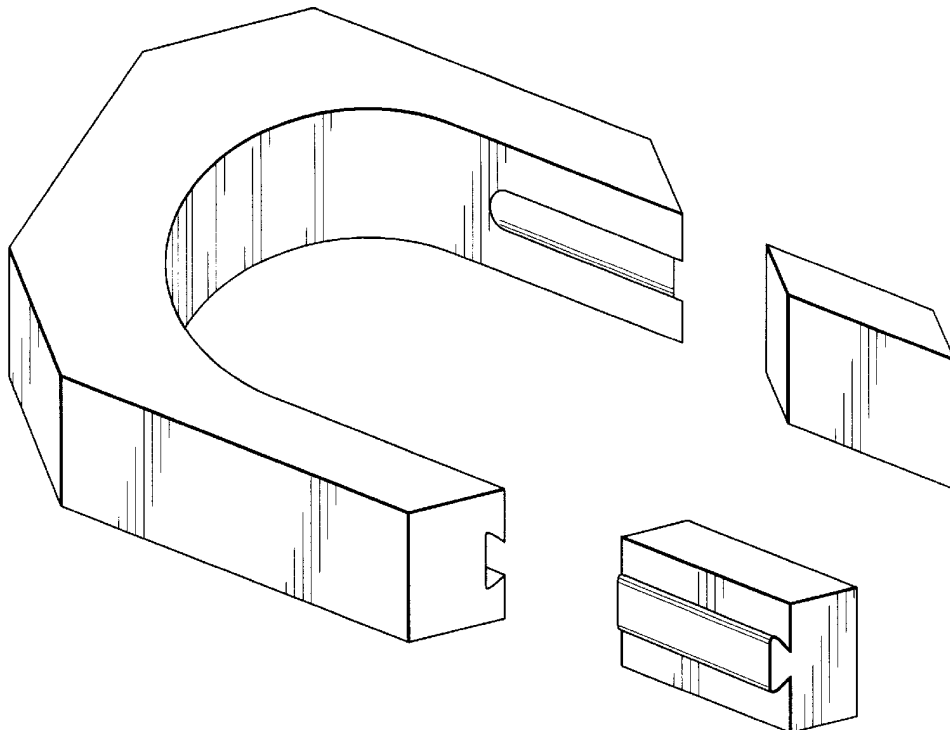
FIG. 13 is a front view of the insert of FIG. 12.

FIG. 14 is a back view of the insert of FIG. 12.

FIG. 15 is a left side view of the insert of FIG. 12; and,

FIG. 16 is a right side view of the insert of FIG. 12.

1 Claim, 3 Drawing Sheets



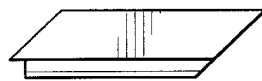
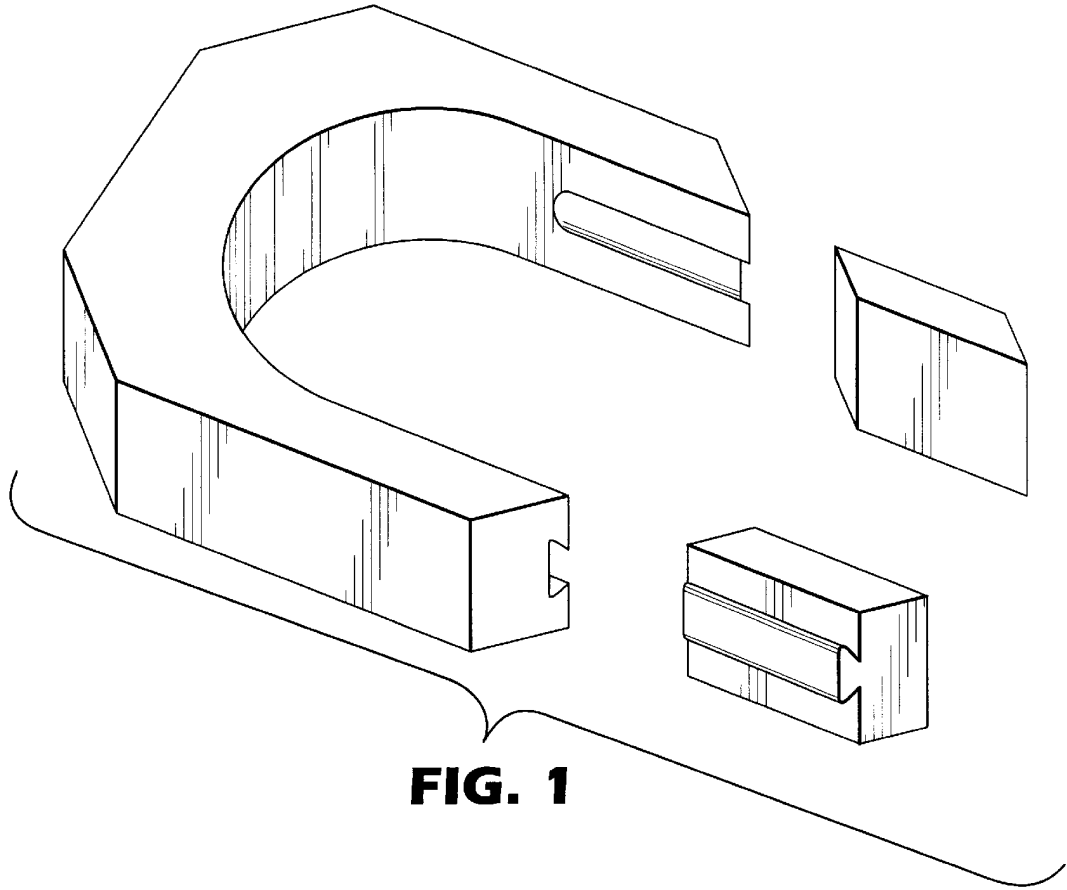


FIG. 12

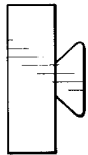


FIG. 15

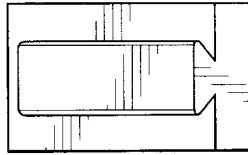


FIG. 13



FIG. 16

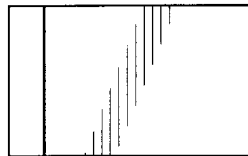


FIG. 14

FIG. 5

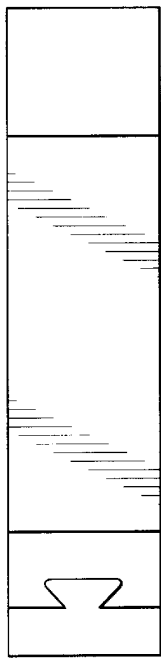
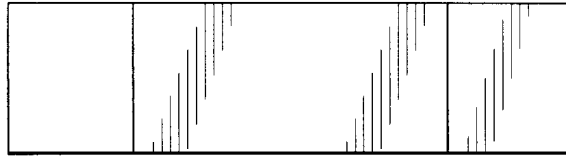


FIG. 4

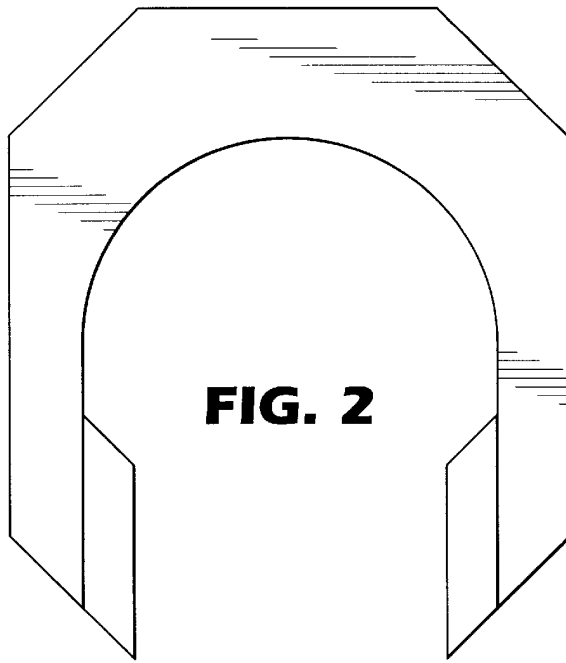


FIG. 2

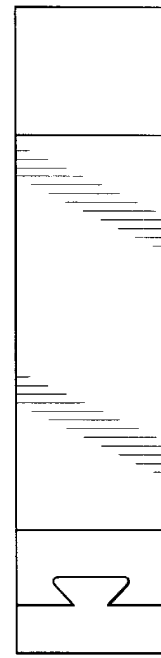


FIG. 6

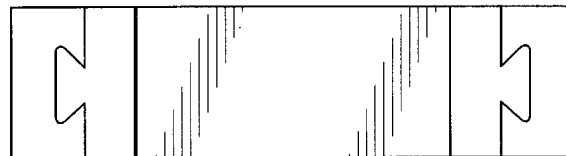


FIG. 3

FIG. 10

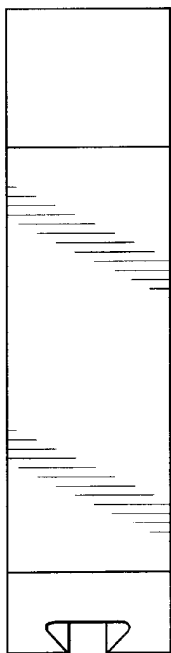
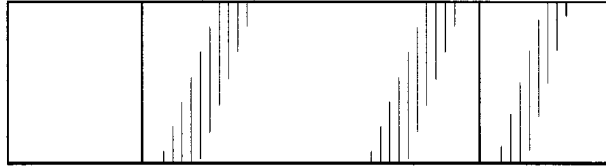


FIG. 9

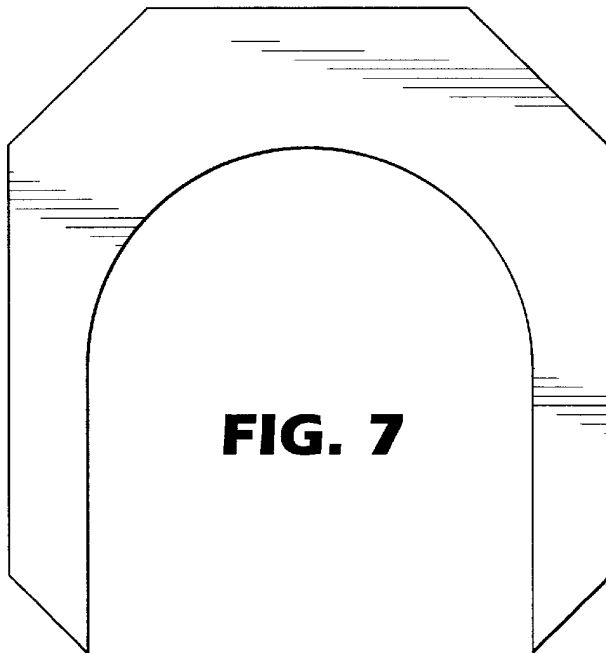


FIG. 7

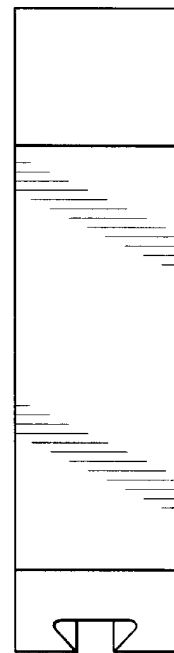


FIG. 11

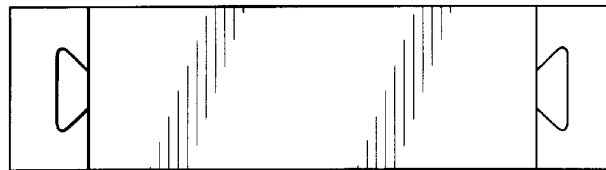


FIG. 8