



US00D427530S

United States Patent [19]

[11] Patent Number: **Des. 427,530**

Maines et al.

[45] Date of Patent: **** Jul. 4, 2000**

[54] **REFRACTOMETER**

D. 327,326 6/1992 Elie D24/172

[75] Inventors: **Jeffrey R. Maines**, Lancaster; **Erin D. Sprey**, Corfu, both of N.Y.

Primary Examiner—Antoine Duval Davis
Attorney, Agent, or Firm—Simpson, Simpson & Snyder, L.L.P.

[73] Assignee: **Leica Microsystems Inc.**, Depew, N.Y.

[57] CLAIM

[**] Term: **14 Years**

The ornamental design for a refractometer, as shown.

[21] Appl. No.: **29/112,987**

DESCRIPTION

[22] Filed: **Oct. 27, 1999**

FIG. 1 is a front perspective view of a refractometer showing our new design;

[51] **LOC (7) Cl.** **10-04**

FIG. 2 is a rear perspective view thereof;

[52] **U.S. Cl.** **D10/46**

FIG. 3 is a left side elevational view thereof;

[58] **Field of Search** D10/75, 81; D16/130, D16/227; D24/172; 33/200; 356/128-137

FIG. 4 is a right side elevational view thereof;

FIG. 5 is a front elevational view thereof;

FIG. 6 is a rear elevational view thereof;

FIG. 7 is a bottom plan view thereof; and,

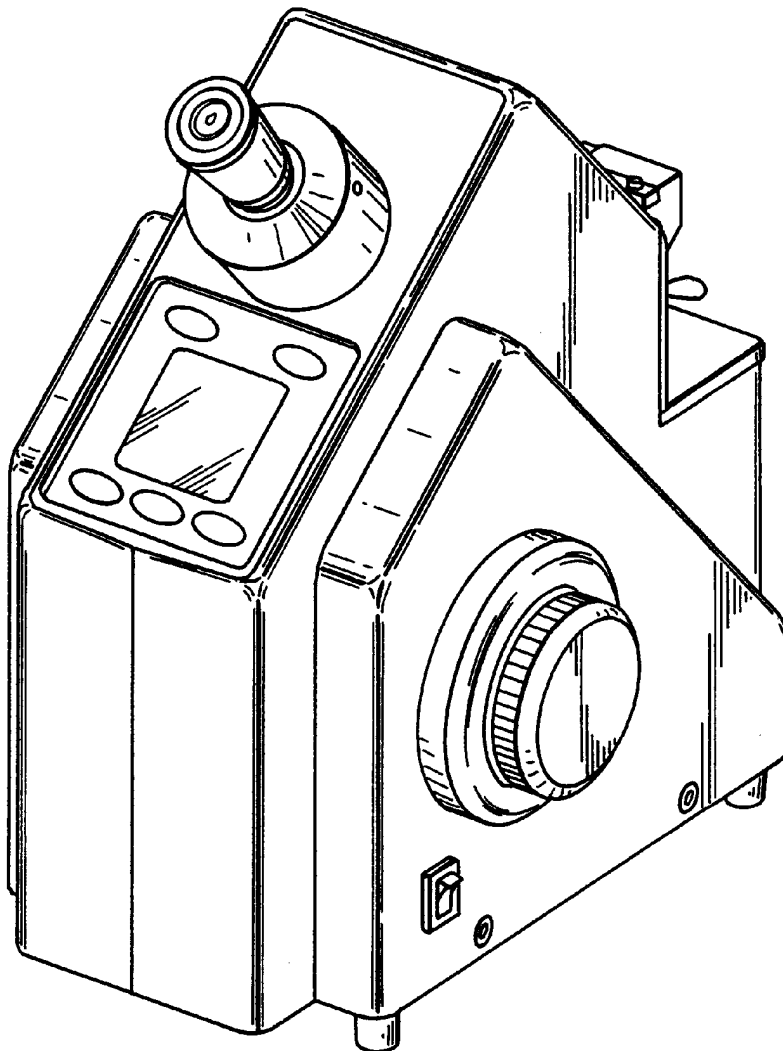
FIG. 8 is a top plan view thereof.

[56] References Cited

U.S. PATENT DOCUMENTS

D. 325,782 4/1992 Elie D24/172

1 Claim, 4 Drawing Sheets



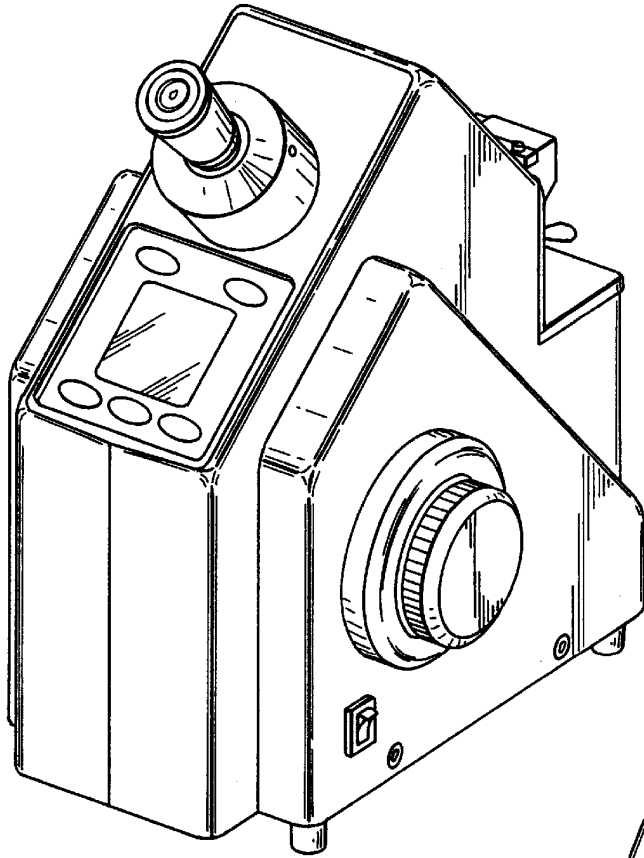


FIG. 1

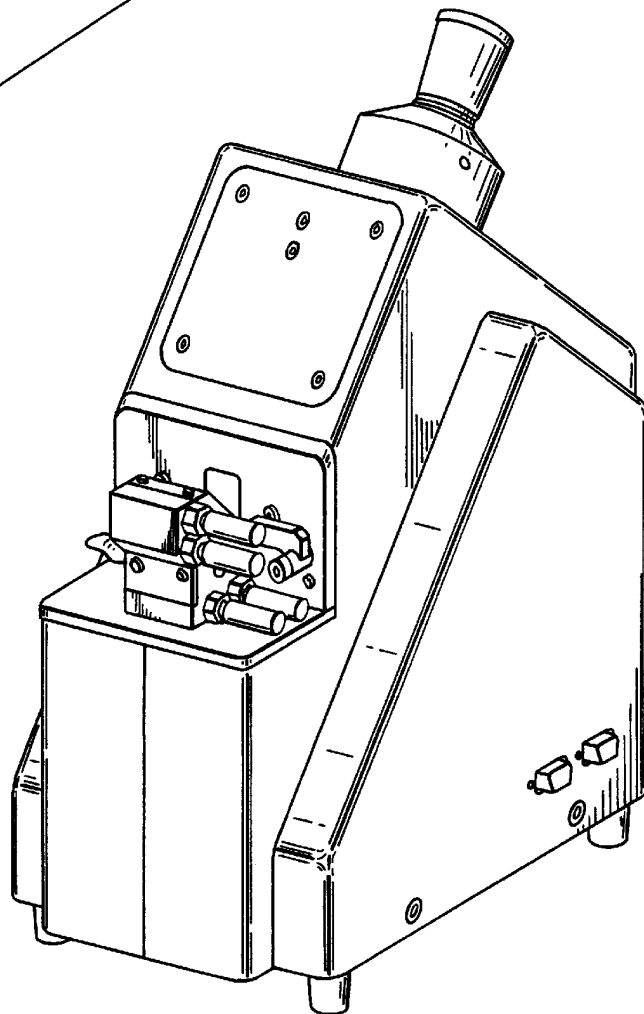


FIG. 2

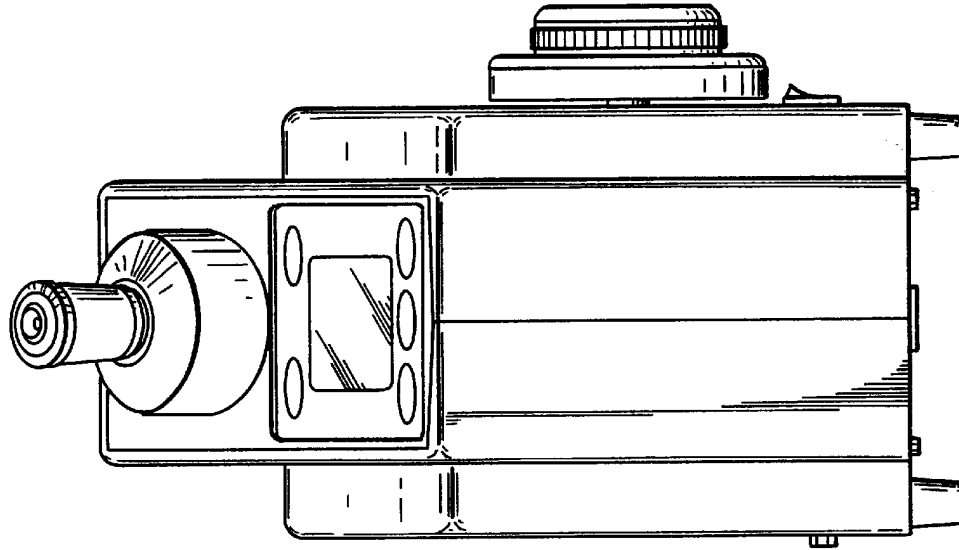


FIG. 5

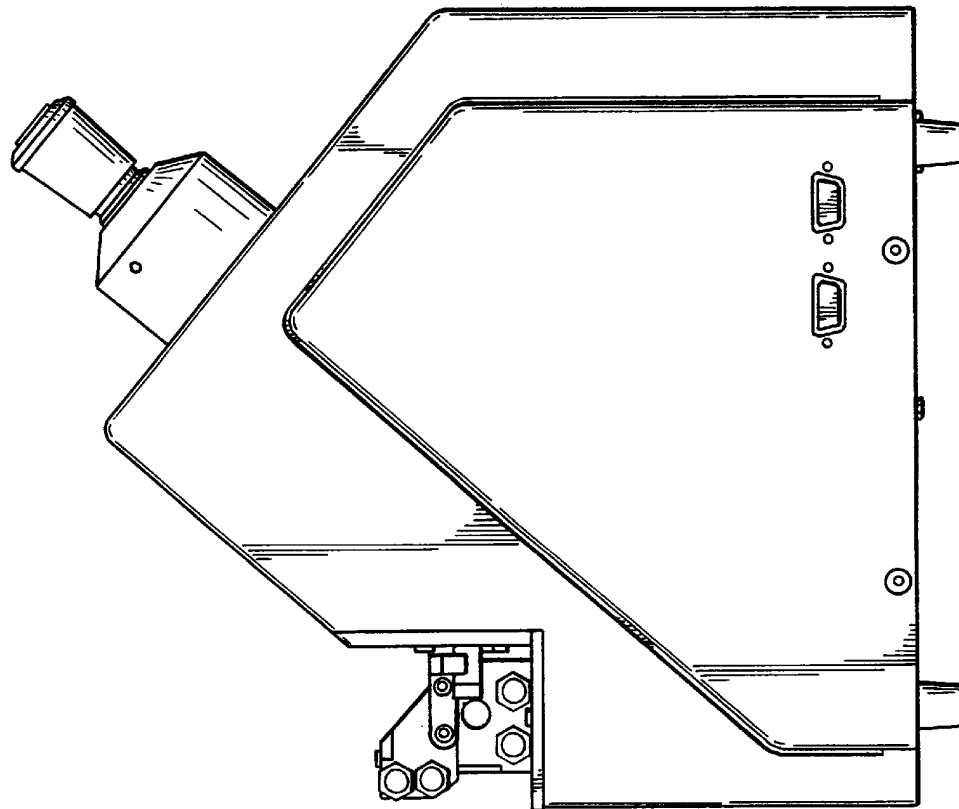


FIG. 3

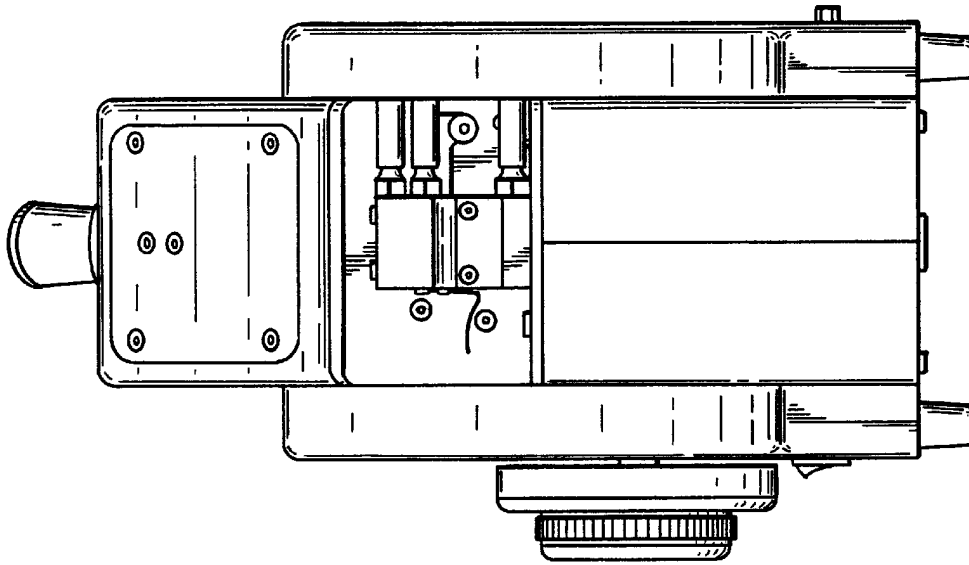


FIG. 6

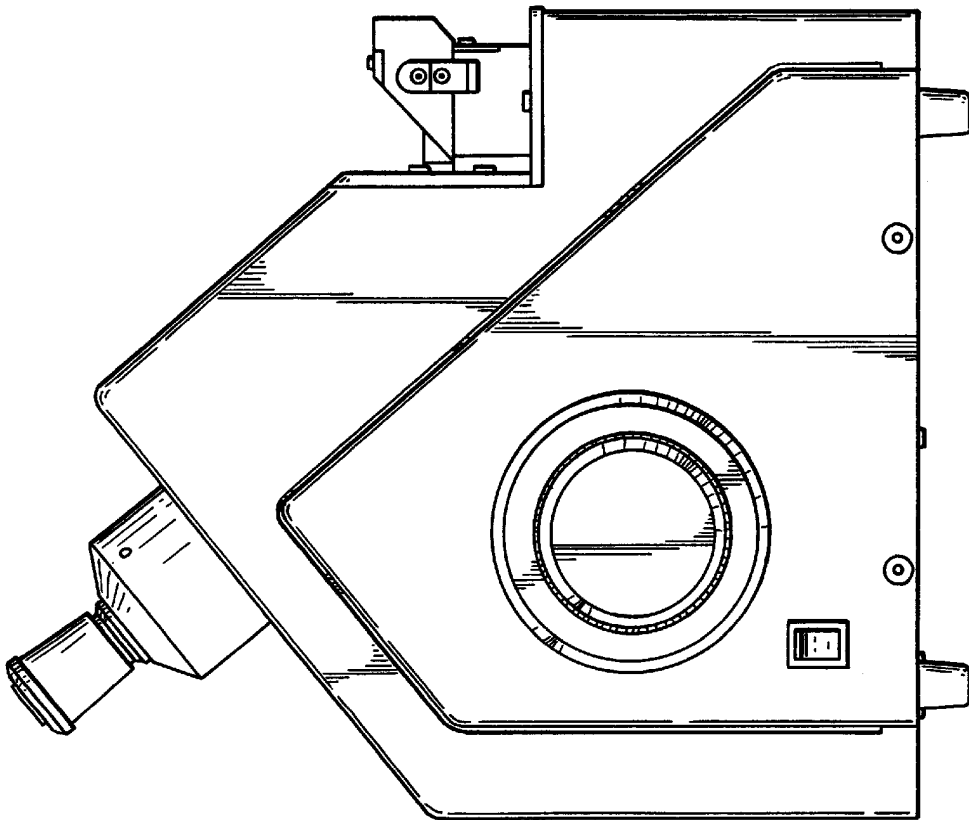


FIG. 4

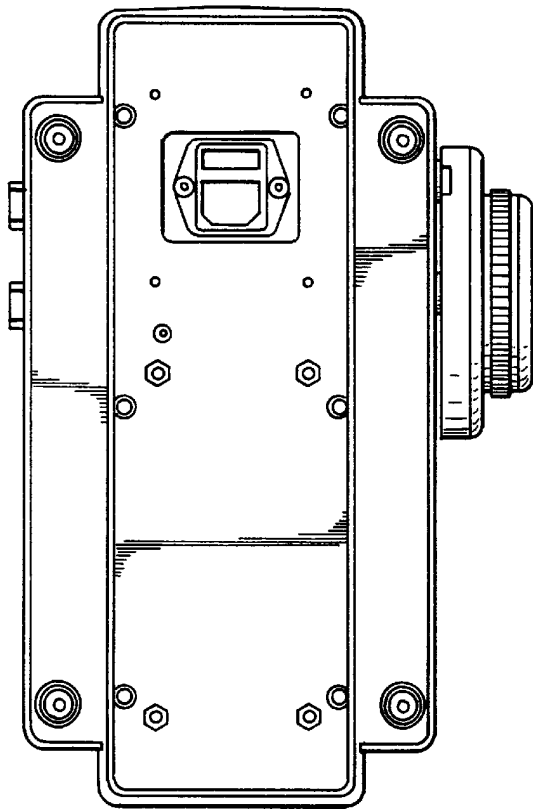


FIG. 7

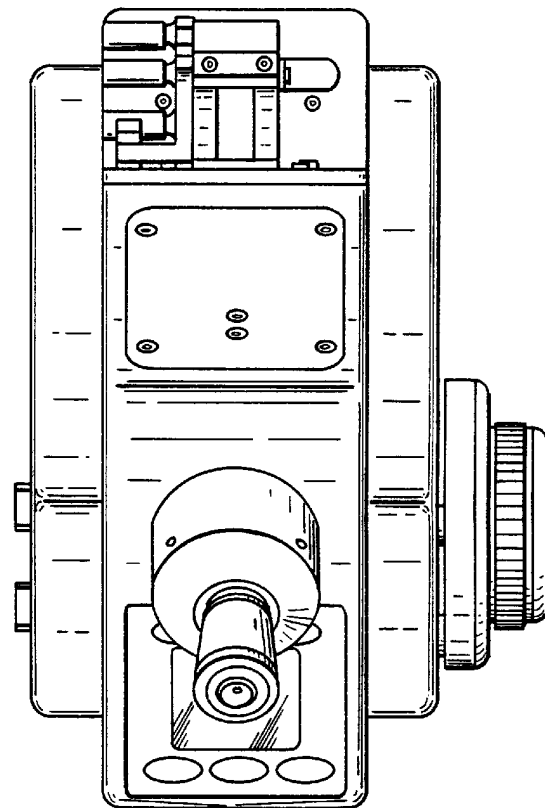


FIG. 8