



US00D449549B1

(12) **United States Design Patent**  
**Hoelbl**

(10) **Patent No.:** **US D449,549 S**  
(45) **Date of Patent:** **\*\* Oct. 23, 2001**

(54) **HAND-HELD DIGITAL REFRACTOMETER**

6,034,762 \* 3/2000 Cotton et al. .... 356/135

(75) Inventor: **Werner Hoelbl**, Vienna (AT)

\* cited by examiner

(73) Assignee: **Leica Microsystems Inc.**, Depew, NY (US)

*Primary Examiner*—Antoine Duval Davis  
(74) *Attorney, Agent, or Firm*—Simpson, Simpson & Snyder, L.L.P.

(\*\*) Term: **14 Years**

(57) **CLAIM**

(21) Appl. No.: **29/133,811**

The ornamental design for a hand-held digital refractometer, as shown.

(22) Filed: **Dec. 7, 2000**

**DESCRIPTION**

(51) **LOC (7) Cl.** ..... **10-04**

FIG. 1 is a front perspective view of a hand-held digital refractometer showing our new design;

(52) **U.S. Cl.** ..... **D10/81; D10/78**

FIG. 2 is a top plan view thereof;

(58) **Field of Search** ..... D10/78, 81; 356/128-137, 356/243.1, 246

FIG. 3 is a bottom plan view thereof;

FIG. 4 is a right side elevational view thereof;

FIG. 5 is a left side elevational view thereof;

FIG. 6 is a front elevational view thereof; and,

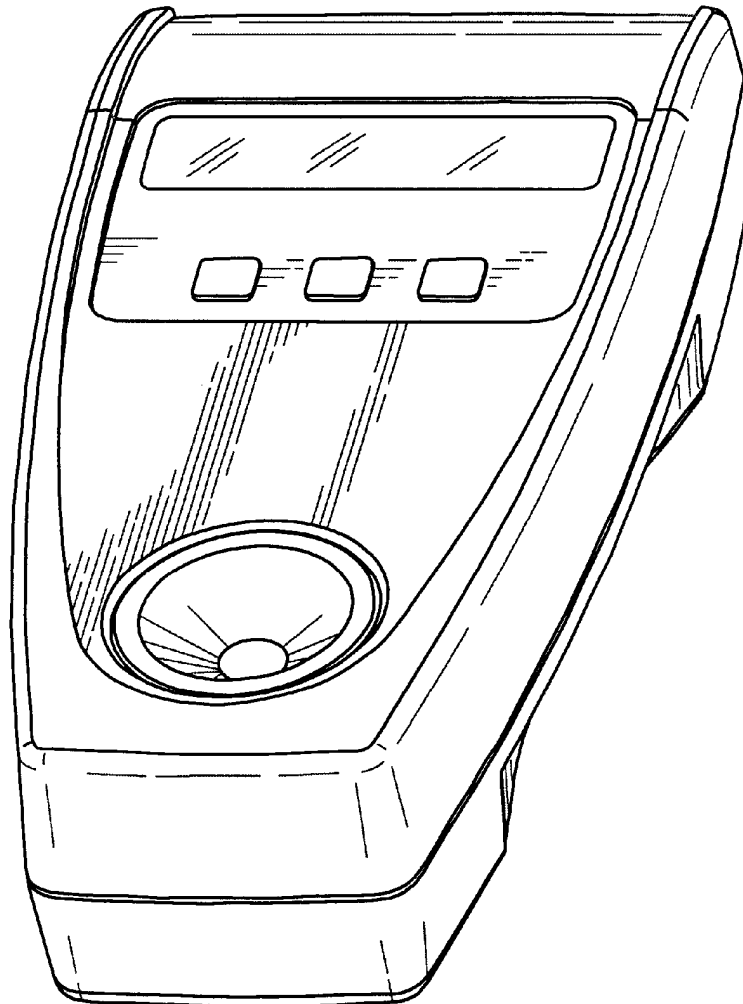
FIG. 7 is a rear elevational view thereof.

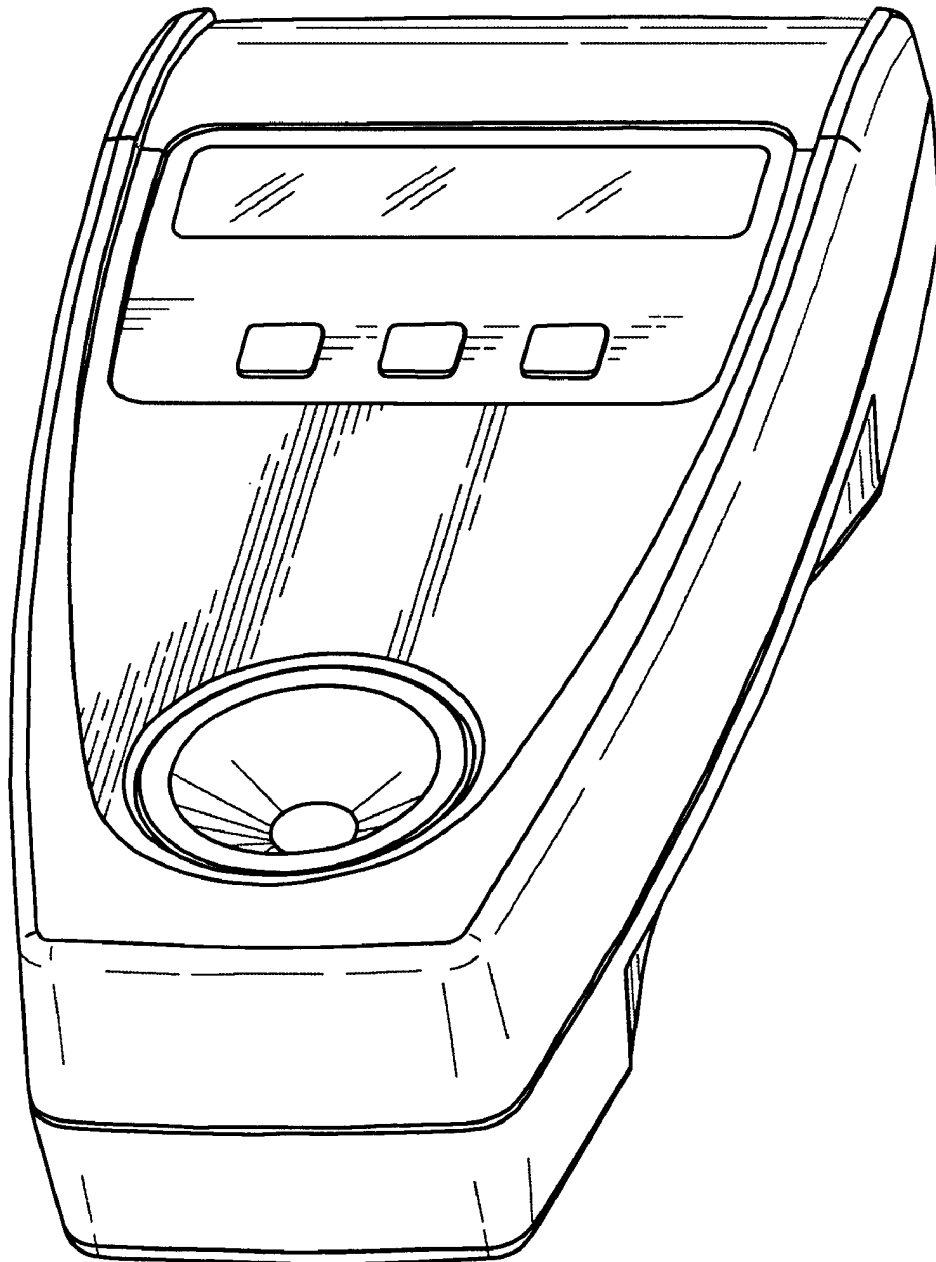
(56) **References Cited**

**U.S. PATENT DOCUMENTS**

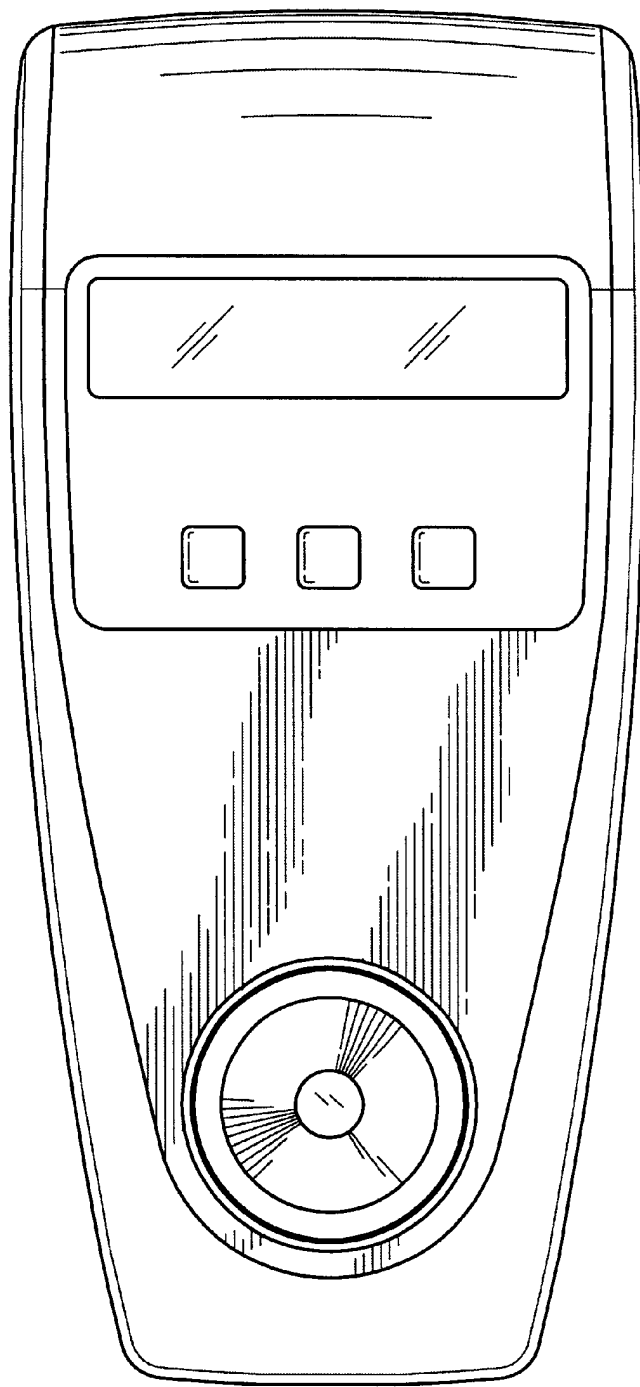
D. 348,849 \* 7/1994 Thompson ..... D10/78

**1 Claim, 6 Drawing Sheets**

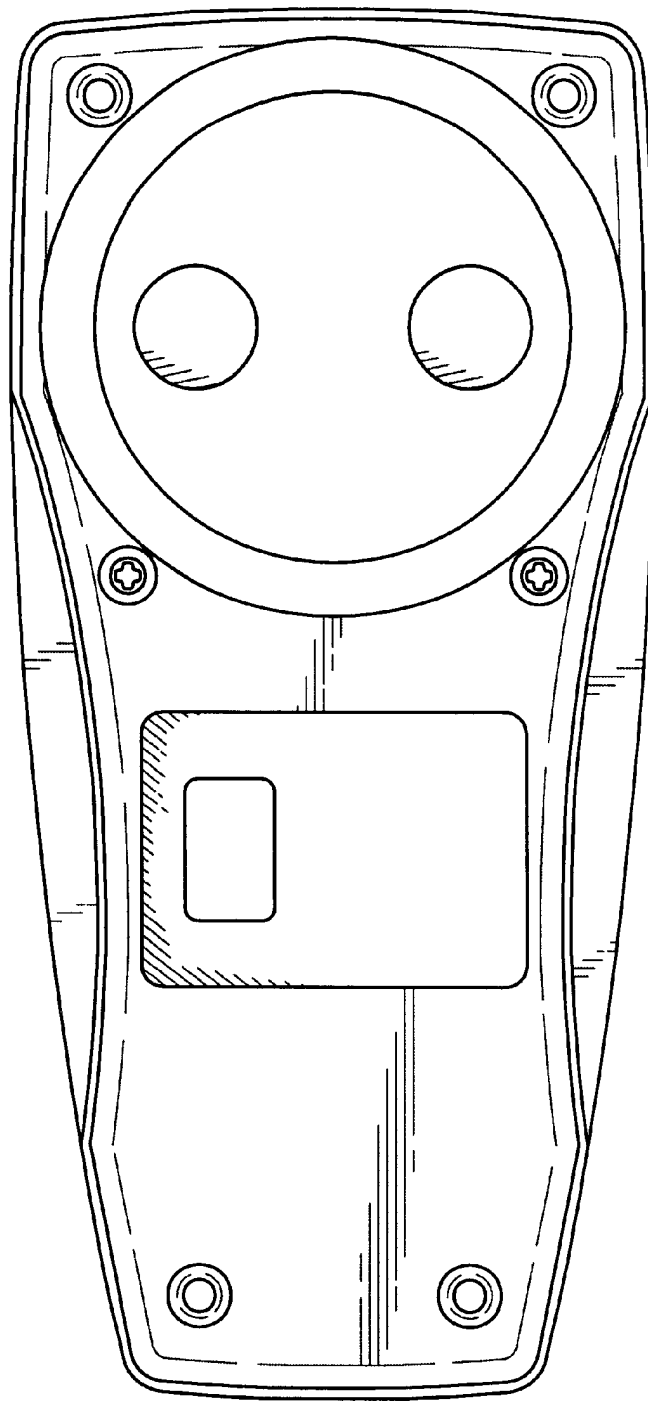




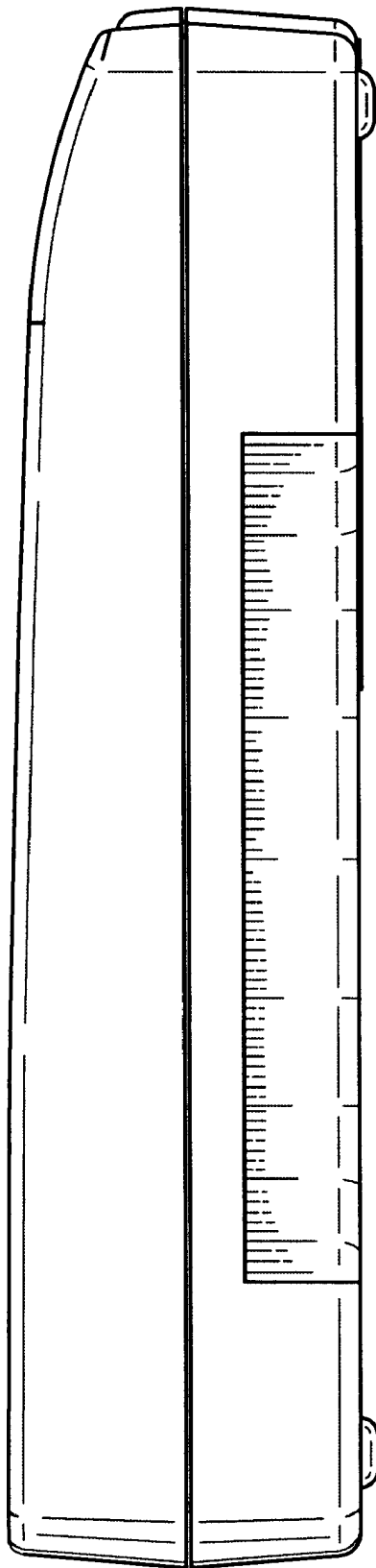
***Fig. 1***



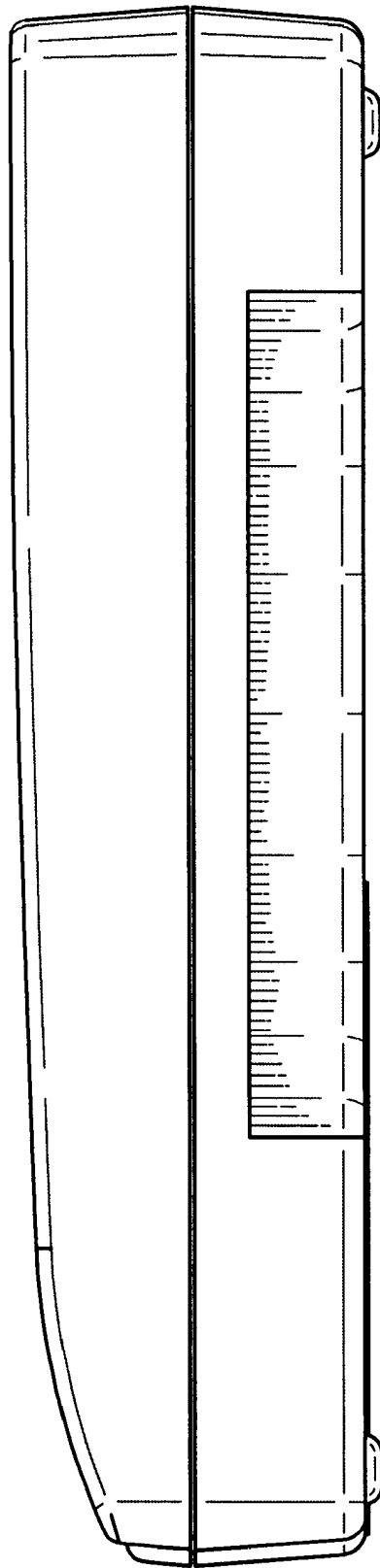
*Fig. 2*



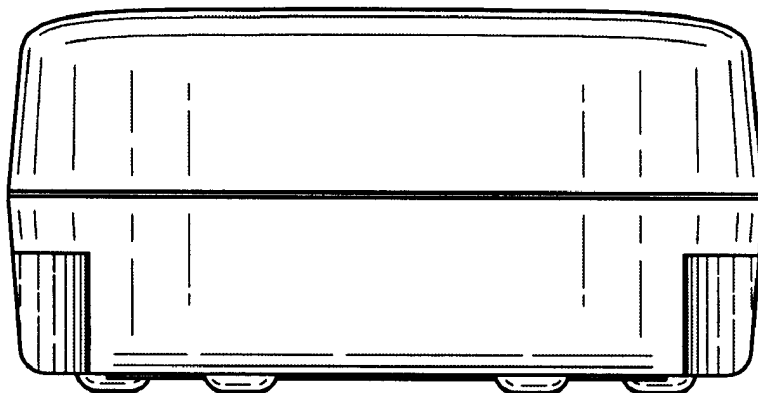
**Fig. 3**



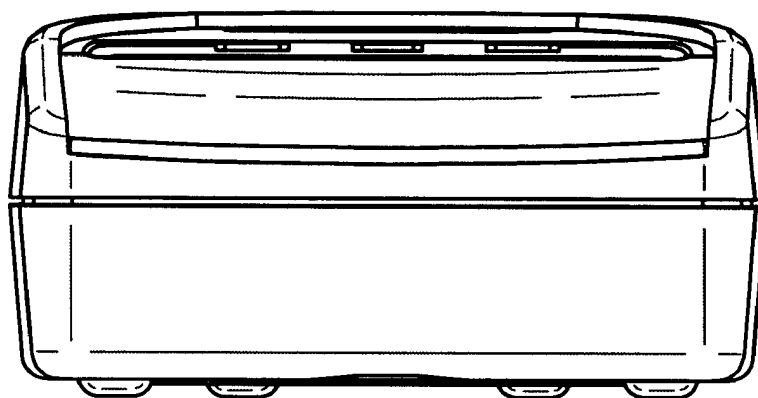
*Fig. 4*



*Fig. 5*



*Fig. 6*



*Fig. 7*