



US00D457962S

(12) **United States Design Patent**  
**Hoelbl**

(10) **Patent No.:** **US D457,962 S**  
(45) **Date of Patent:** **\*\* May 28, 2002**

(54) **AUTOMATIC REFRACTOMETER**

(75) **Inventor:** **Werner Hoelbl, Vienna (AT)**

(73) **Assignee:** **Leica Microsystems Inc., Depew, NY (US)**

(\*\*) **Term:** **14 Years**

(21) **Appl. No.:** **29/151,498**

(22) **Filed:** **Nov. 8, 2001**

(51) **LOC (7) Cl.** ..... **24-01**

(52) **U.S. Cl.** ..... **D24/172**

(58) **Field of Search** ..... D10/46; D24/172;  
356/128, 129, 130, 131, 132, 133, 134,  
135, 136, 137

(56) **References Cited**

**U.S. PATENT DOCUMENTS**

D285,485 S \* 9/1986 Kahute ..... D24/172  
4,640,616 A \* 2/1987 Michalik ..... 356/136  
4,692,024 A \* 9/1987 Bloss ..... 356/135  
D296,004 S \* 5/1988 Kahute ..... D24/172

D316,144 S \* 4/1991 Nishimura ..... D24/172  
D327,024 S \* 6/1992 Elie ..... D10/46  
D341,541 S \* 11/1993 Ichiyoshi ..... D10/46  
6,172,746 B1 \* 1/2001 Byrne et al. .... 356/135

\* cited by examiner

*Primary Examiner*—Stella Reid

(74) *Attorney, Agent, or Firm*—Simpson & Simpson, PLLC

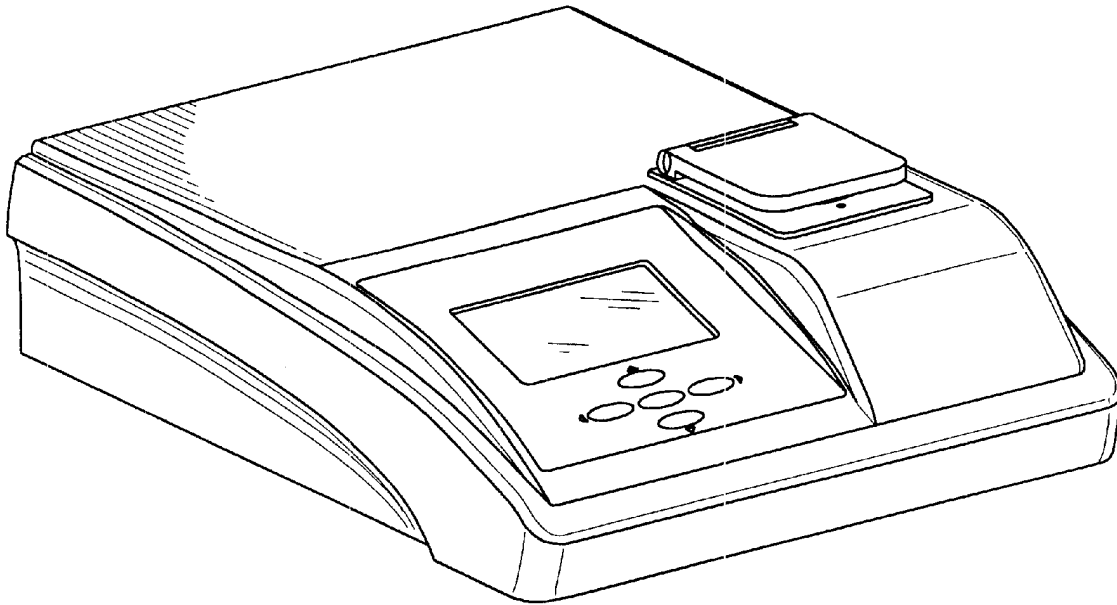
(57) **CLAIM**

The ornamental design for an automatic refractometer, as shown.

**DESCRIPTION**

FIG. 1 is a front perspective view of an automatic refractometer showing my new design;  
FIG. 2 is a top plan view thereof;  
FIG. 3 is a bottom plan view thereof;  
FIG. 4 is a front elevational view thereof;  
FIG. 5 is a rear elevational view thereof;  
FIG. 6 is a left-side elevational view thereof; and,  
FIG. 7 is a right-side elevational view thereof.

**1 Claim, 5 Drawing Sheets**



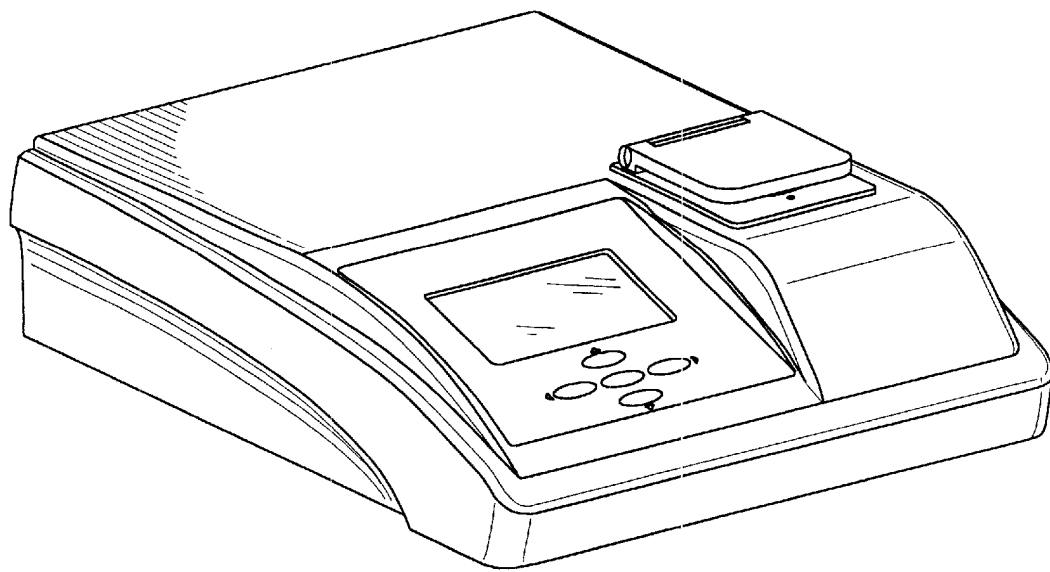


Fig. 1

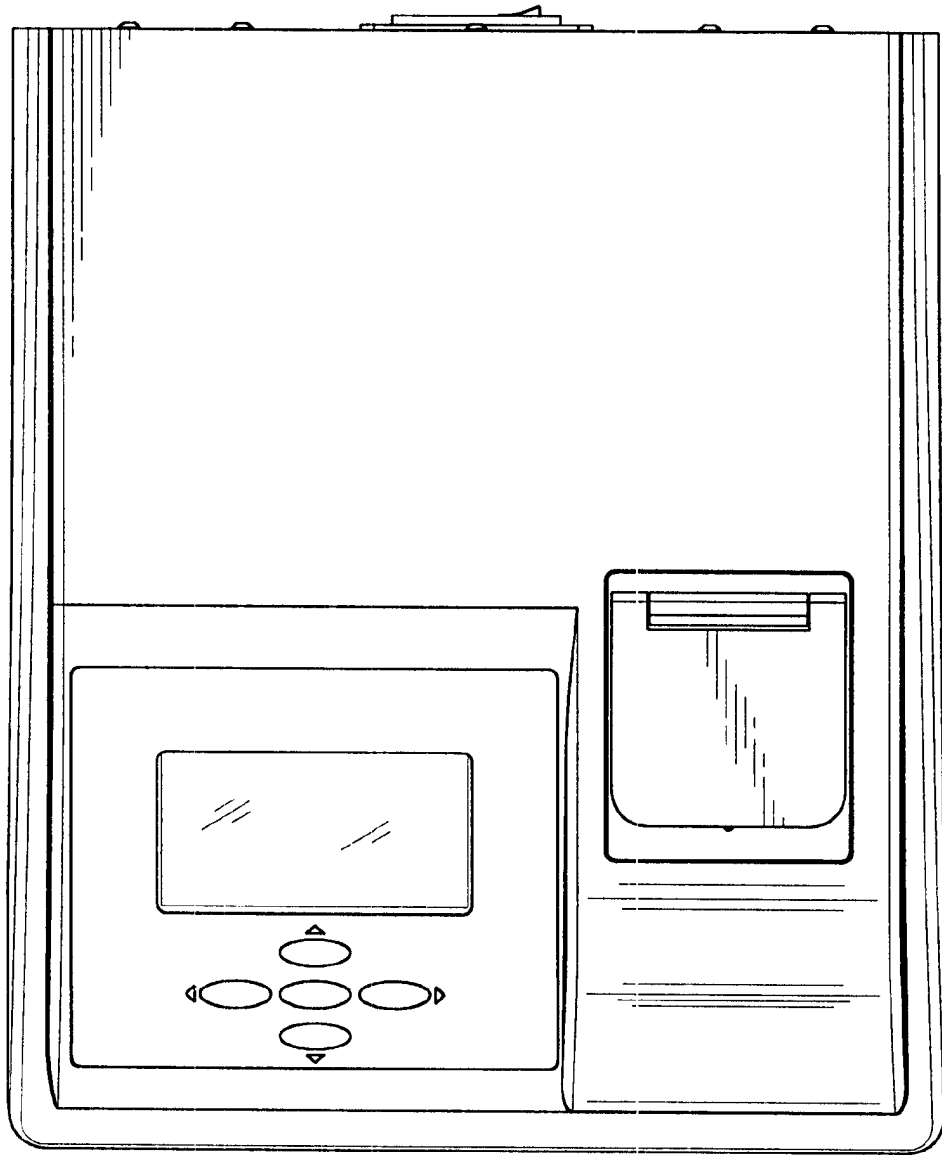


Fig. 2

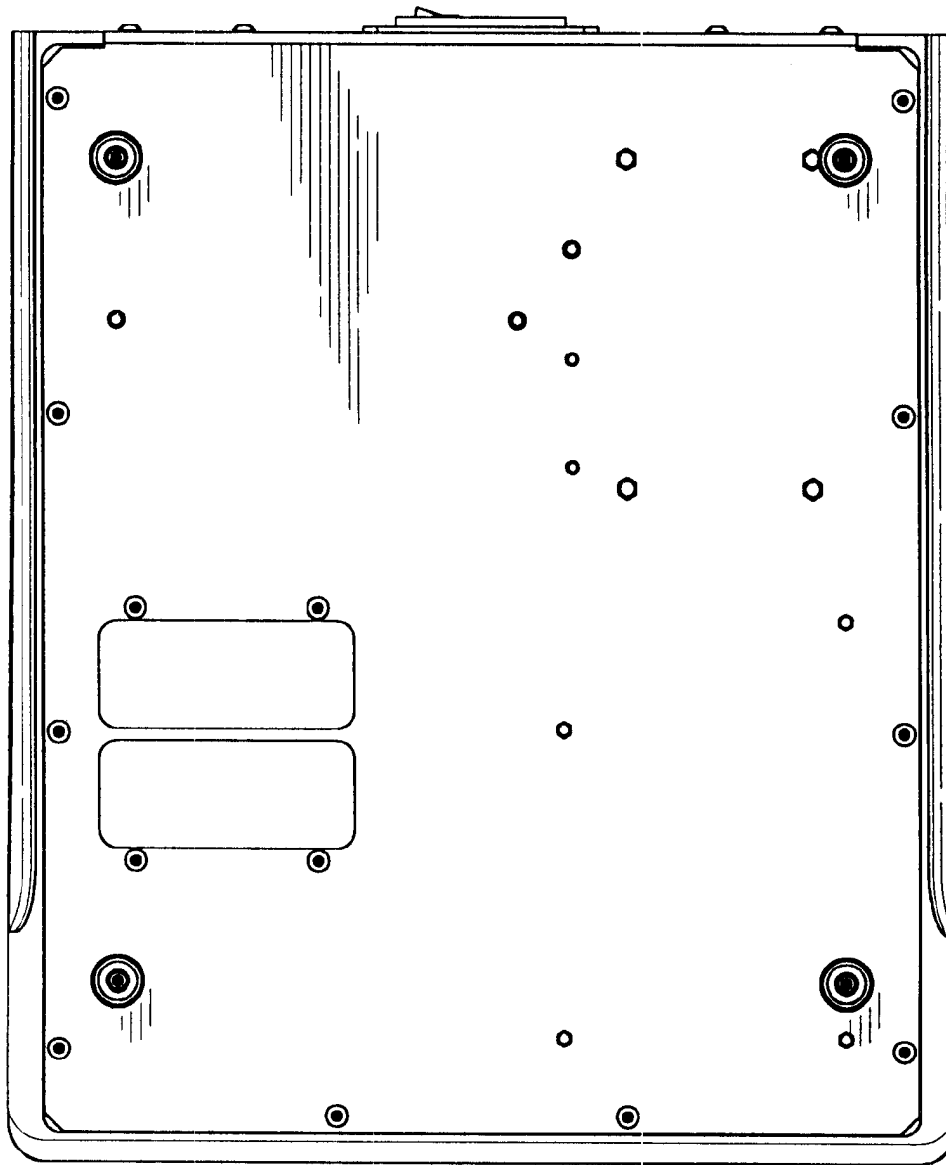


Fig. 3

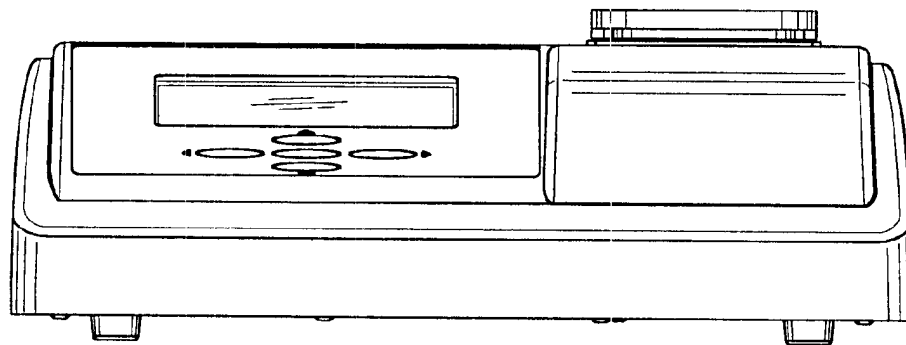


Fig. 4

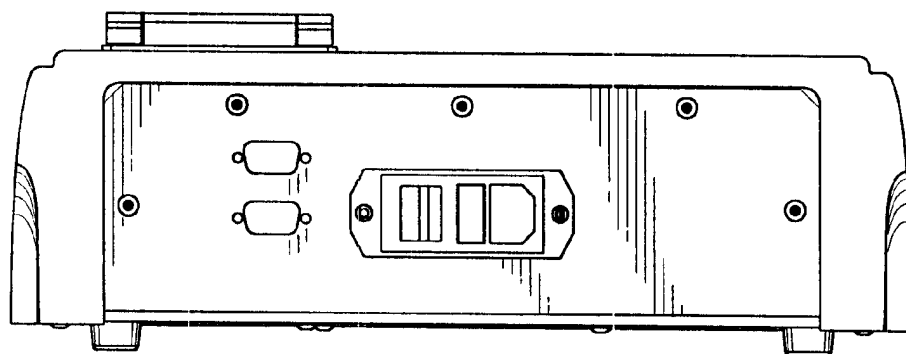


Fig. 5

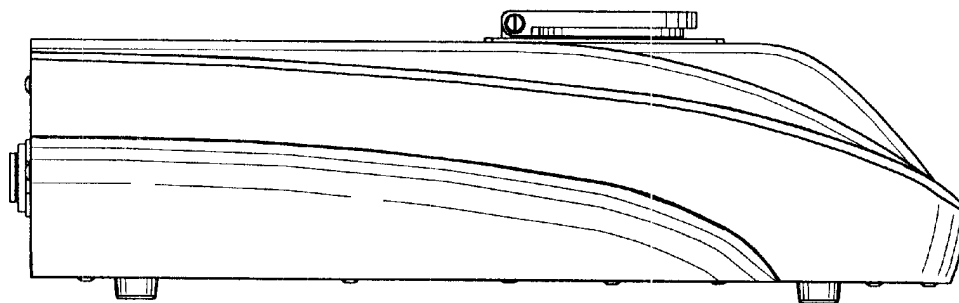


Fig. 6

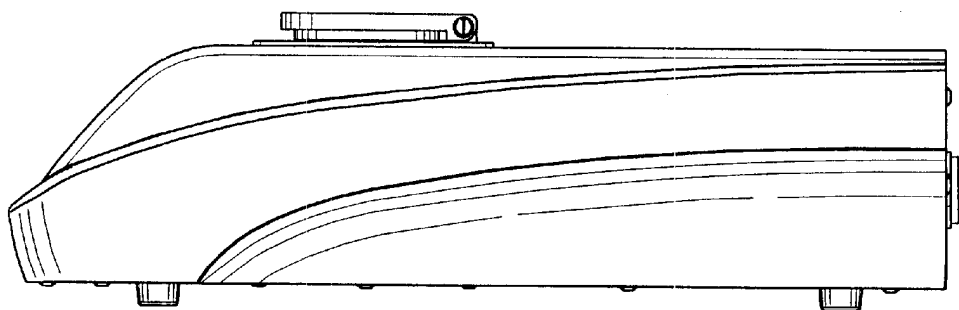


Fig. 7