



US00D466177S

(12) **United States Design Patent**  
**Carter et al.**

(10) **Patent No.:** **US D466,177 S**  
(45) **Date of Patent:** **\*\* Nov. 26, 2002**

(54) **CYLINDRICAL CRANE GAME**

(76) Inventors: **Shane P. Carter**, 8701 Stahley Rd.,  
East Amherst, NY (US) 14051; **Michael**  
**Andrews**, 388 Cayuga Creek Rd.,  
Alden, NY (US) 14004

(\*\*) Term: **14 Years**

(21) Appl. No.: **29/153,090**

(22) Filed: **Nov. 9, 2001**

(51) **LOC (7) Cl.** ..... **21-03**

(52) **U.S. Cl.** ..... **D21/811**

(58) **Field of Search** ..... D21/811-813,  
D21/300, 325-327; 273/447, 448, 459,  
460, 440; 463/1, 25; 221/210, 211, 212

(56) **References Cited**

**U.S. PATENT DOCUMENTS**

D95,156 S	*	4/1935	Soellner	.....	D21/811
5,271,628 A	*	12/1993	Okada	.....	273/448
5,397,134 A	*	3/1995	Fishman et al.	.....	463/25
D366,304 S	*	1/1996	Lewis	.....	D21/811
5,653,446 A	*	8/1997	Lin	.....	273/447

5,678,823 A	*	10/1997	Chaffee et al.	.....	273/448
D386,231 S	*	11/1997	Wei	.....	D21/811
D421,284 S	*	2/2000	Huang	.....	D21/811
6,139,429 A	*	10/2000	Shoemaker, Jr.	.....	273/448
6,283,475 B1	*	9/2001	Stibben	.....	273/448

\* cited by examiner

*Primary Examiner*—Prabhakar Deshmukh

(74) *Attorney, Agent, or Firm*—Simpson & Simpson, PLLC

(57)

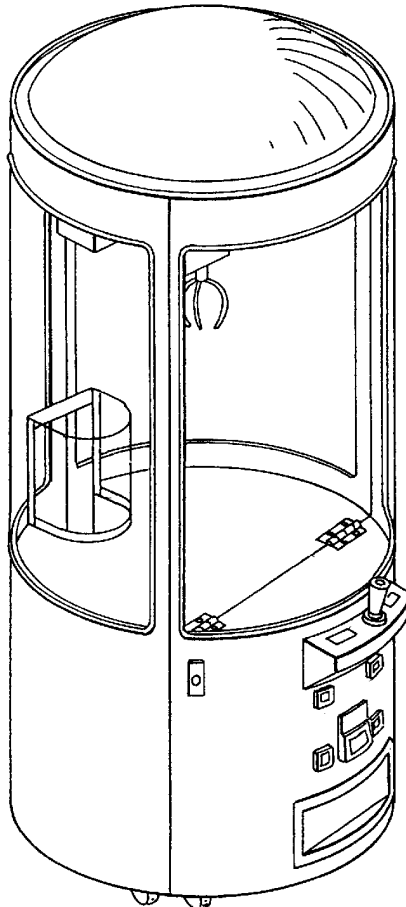
**CLAIM**

The ornamental design for a cylindrical crane game, as shown.

**DESCRIPTION**

FIG. 1 is a perspective view of a cylindrical crane game showing my new design;  
FIG. 2 is a front elevational view thereof;  
FIG. 3 is a rear elevational view thereof;  
FIG. 4 is a left side elevational view thereof;  
FIG. 5 is a right side elevational view thereof;  
FIG. 6 is a top plan view thereof; and,  
FIG. 7 is a bottom plan view thereof.

**1 Claim, 3 Drawing Sheets**



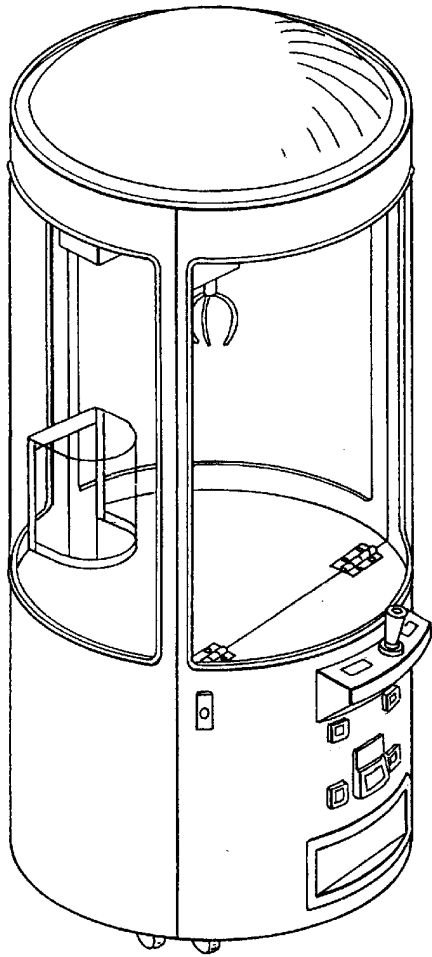


FIG. 1

FIG. 6

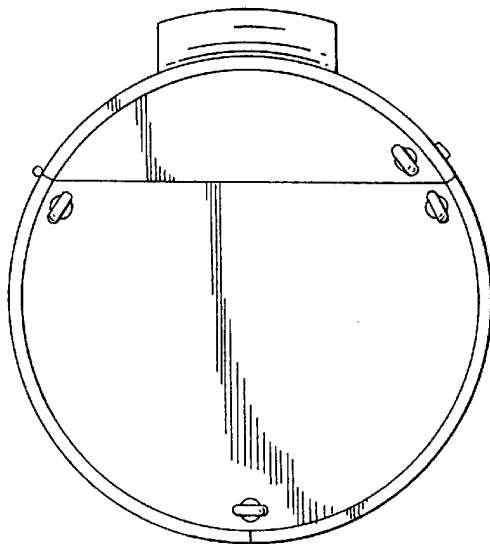
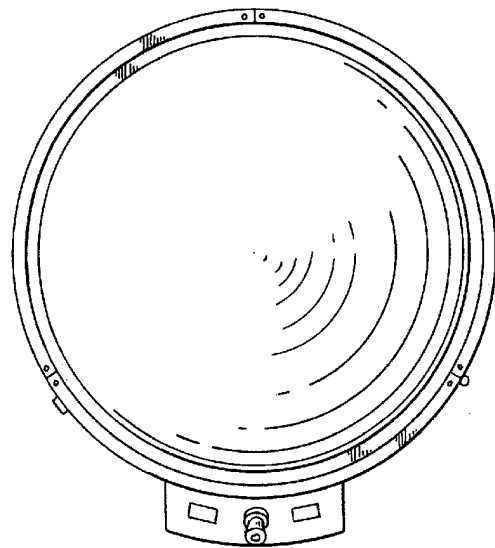


FIG. 7

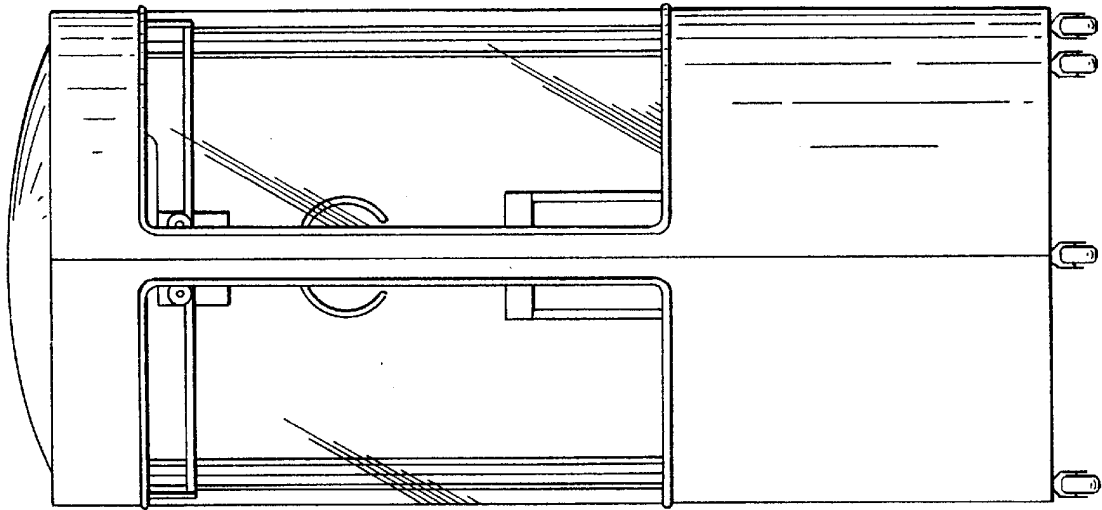


FIG. 3

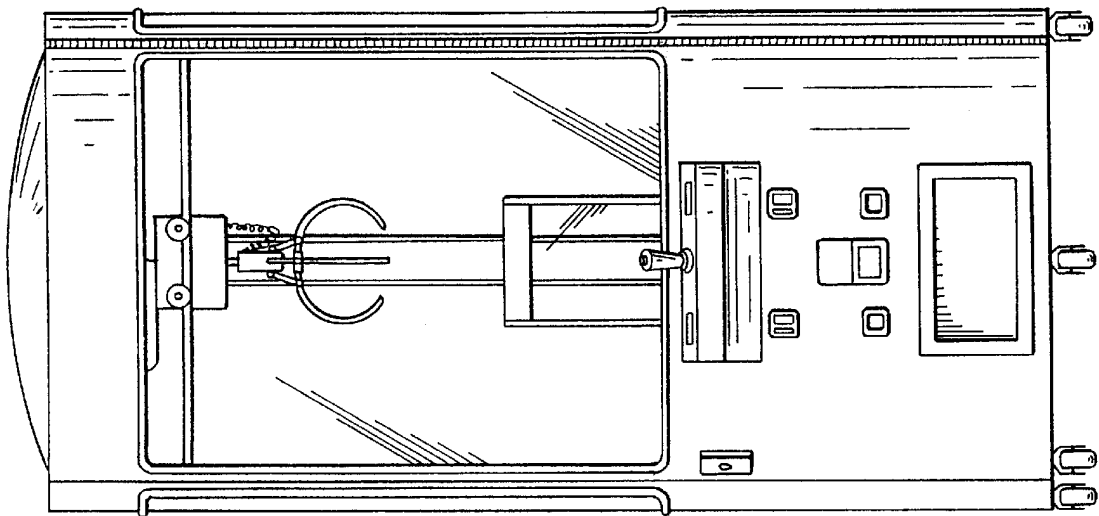


FIG. 2

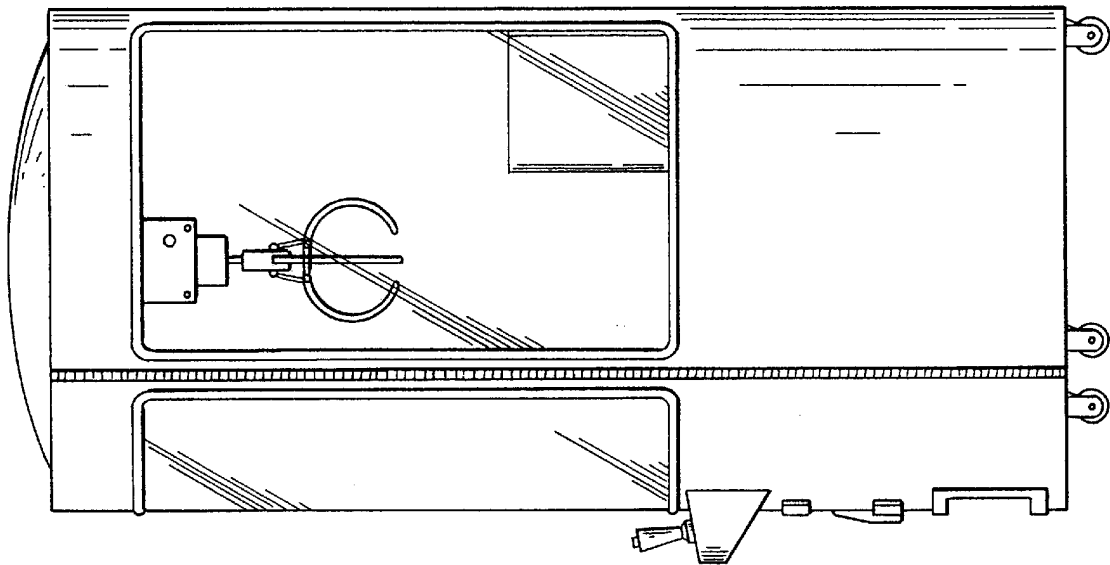


FIG. 5

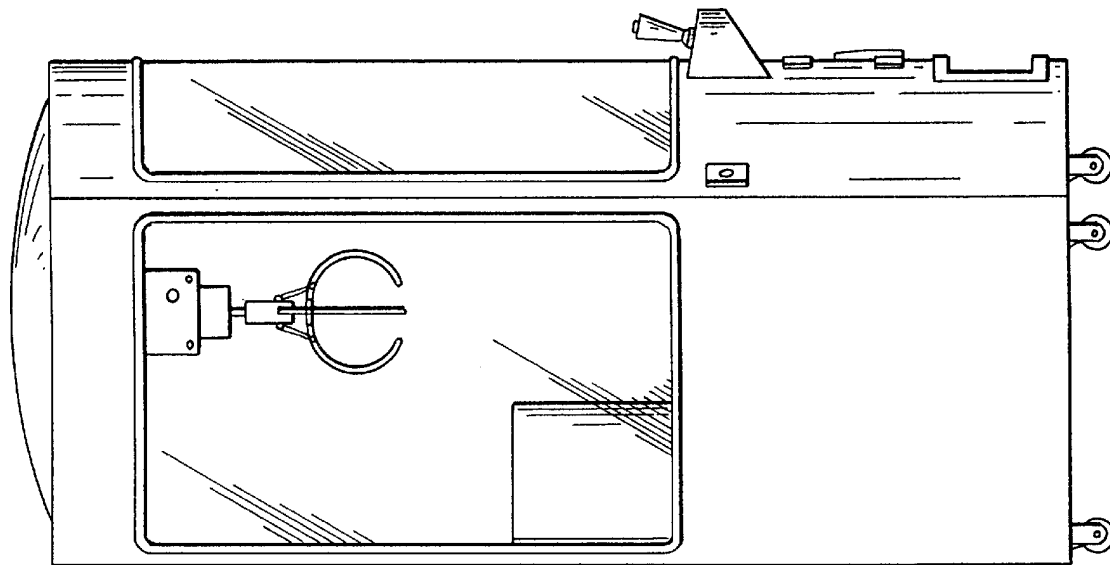


FIG. 4