



US00D484429S

(12) **United States Design Patent**
Heary, Sr.

(10) **Patent No.:** **US D484,429 S**

(45) **Date of Patent:** **** Dec. 30, 2003**

- (54) **LIGHTNING ROD ASSEMBLY**
- (75) **Inventor:** **Kenneth P. Heary, Sr.,** Springville, NY (US)
- (73) **Assignee:** **Heary Bros. Lightning Protection Company, Inc.,** Springville, NY (US)
- (**) **Term:** **14 Years**
- (21) **Appl. No.:** **29/183,358**
- (22) **Filed:** **Jun. 11, 2003**

- 5,227,944 A * 7/1993 Eggendorfer 361/103
- 5,664,754 A * 9/1997 Gaenslen 248/317
- 5,810,303 A * 9/1998 Bourassa et al. 248/205.1
- 6,439,523 B1 * 8/2002 Chandler, Jr. et al. 248/300

* cited by examiner

Primary Examiner—Nelson C. Holtje
(74) *Attorney, Agent, or Firm*—Simpson & Simpson, PLLC

(57) **CLAIM**

The ornamental design for a lightning rod assembly, as shown.

DESCRIPTION

FIG. 1 is a perspective view of a lightning rod assembly showing my new design; FIG. 2 is a rear elevational view of the present invention; FIG. 3 is a front elevational view of the present invention; FIG. 4 is a left side elevational view of the present invention; FIG. 5 is a right side elevational view of the present invention; FIG. 6 is a bottom plan view of the present invention; and, FIG. 7 is a top plan view of the present invention. The structures shown in broken lines form no part of the claimed design.

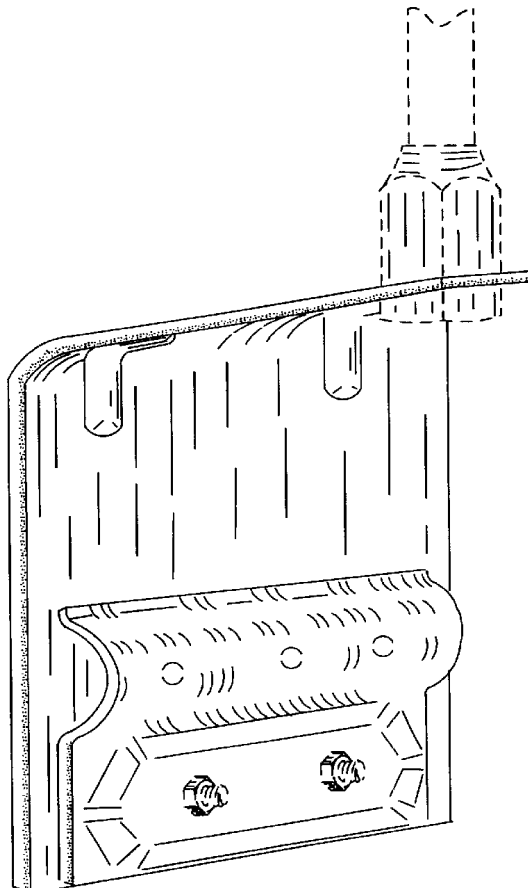
- (51) **LOC (7) Cl.** **10-05**
- (52) **U.S. Cl.** **D10/105**
- (58) **Field of Search** D10/105; 361/117-119; 248/226.12, 237, 300, 309.1, 346.03

(56) **References Cited**

U.S. PATENT DOCUMENTS

- 1,017,308 A * 2/1912 Mitchell 174/4 R
- 3,236,932 A * 2/1966 Grigas et al. 174/2 X
- 3,291,428 A * 12/1966 Sislak 248/300
- 3,961,226 A * 6/1976 Hoffman et al. 361/119
- 4,016,462 A * 4/1977 Pavliny 361/117
- 4,095,262 A * 6/1978 Clair 361/1
- 4,737,880 A * 4/1988 Mickelson 361/119

1 Claim, 7 Drawing Sheets



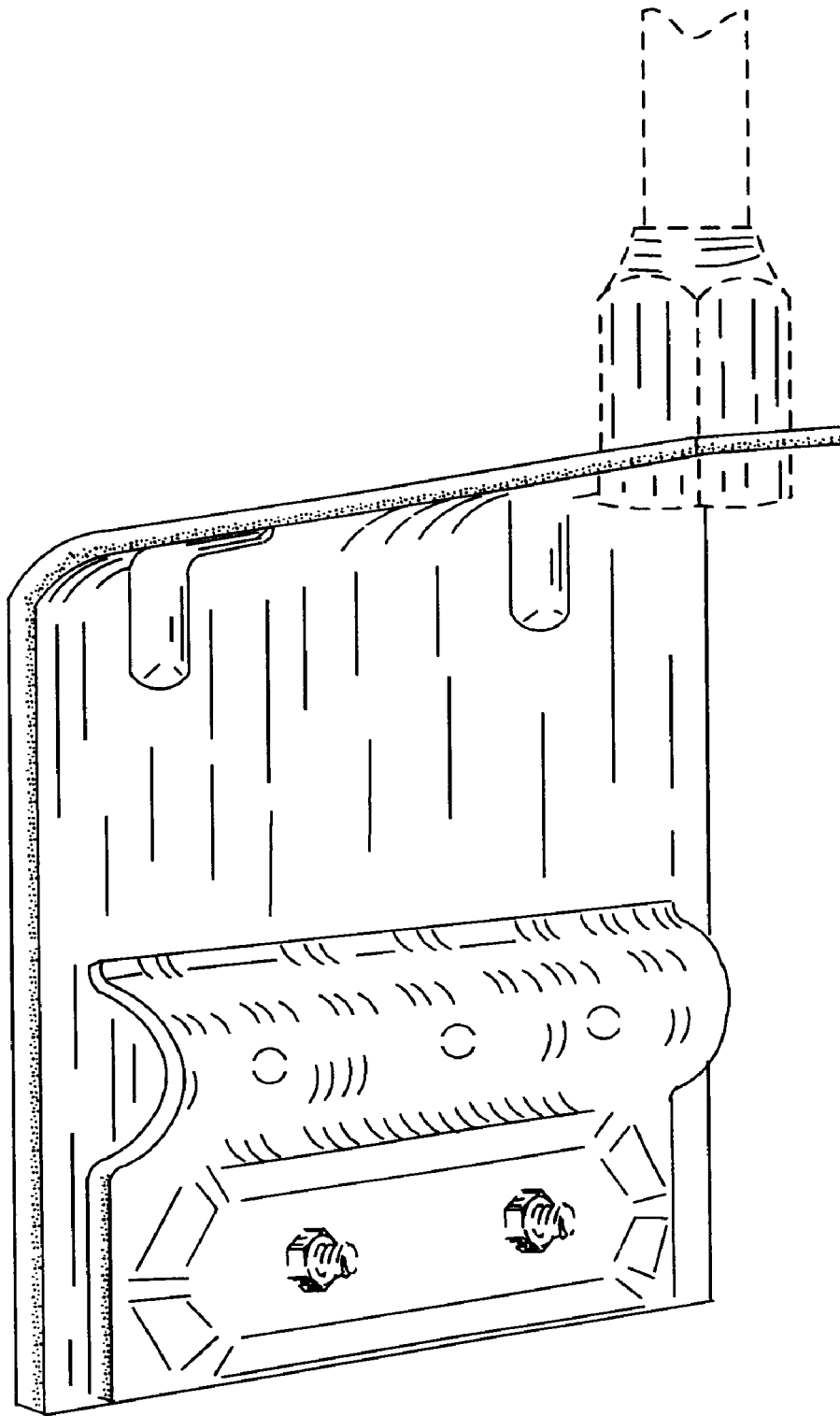


Fig. 1

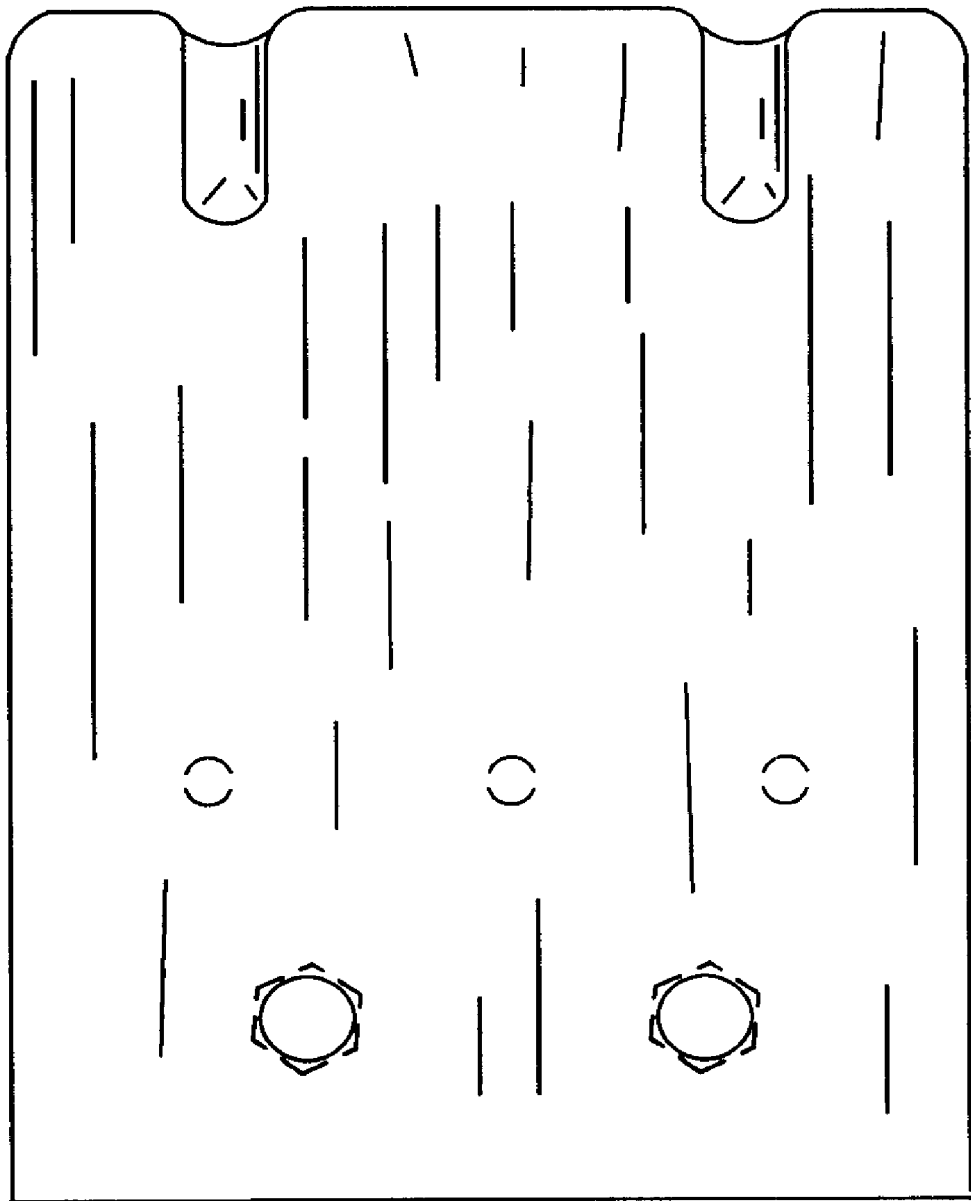


Fig. 2

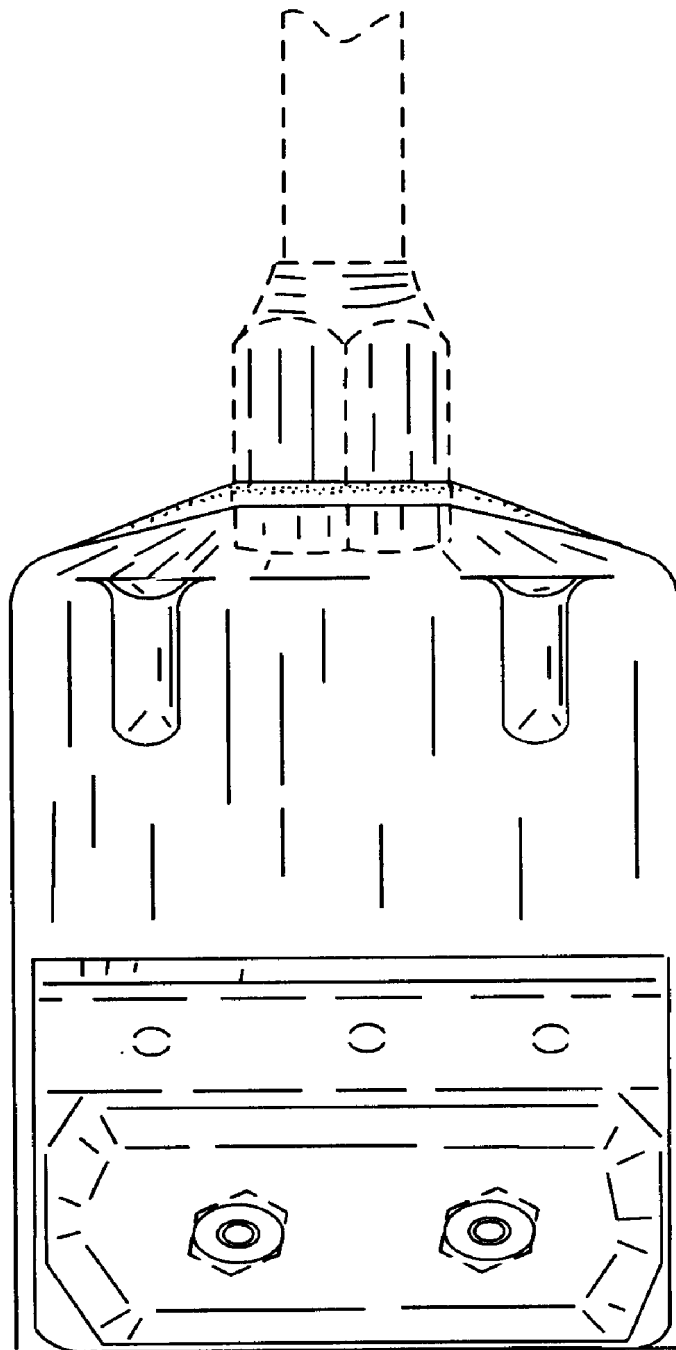


Fig. 3

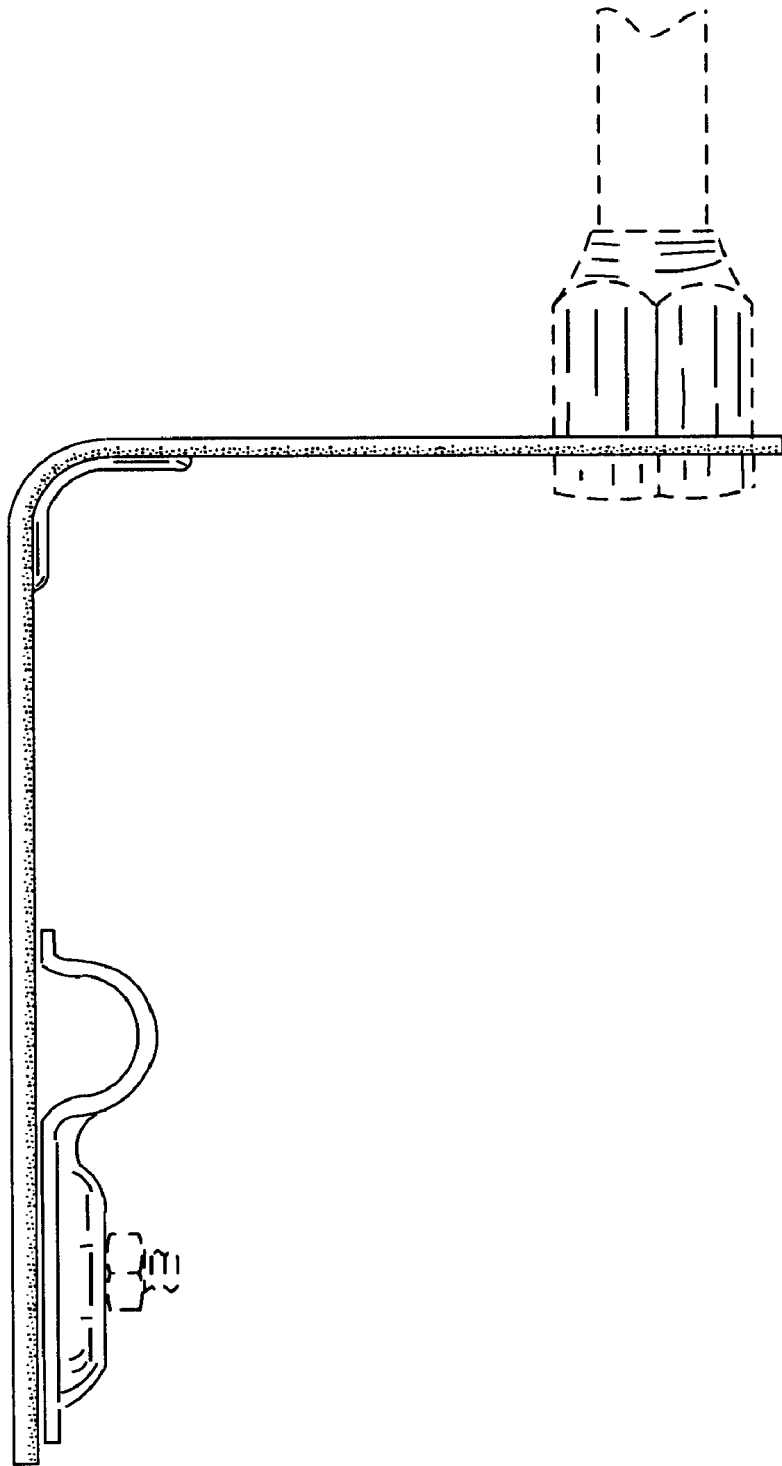


Fig. 4

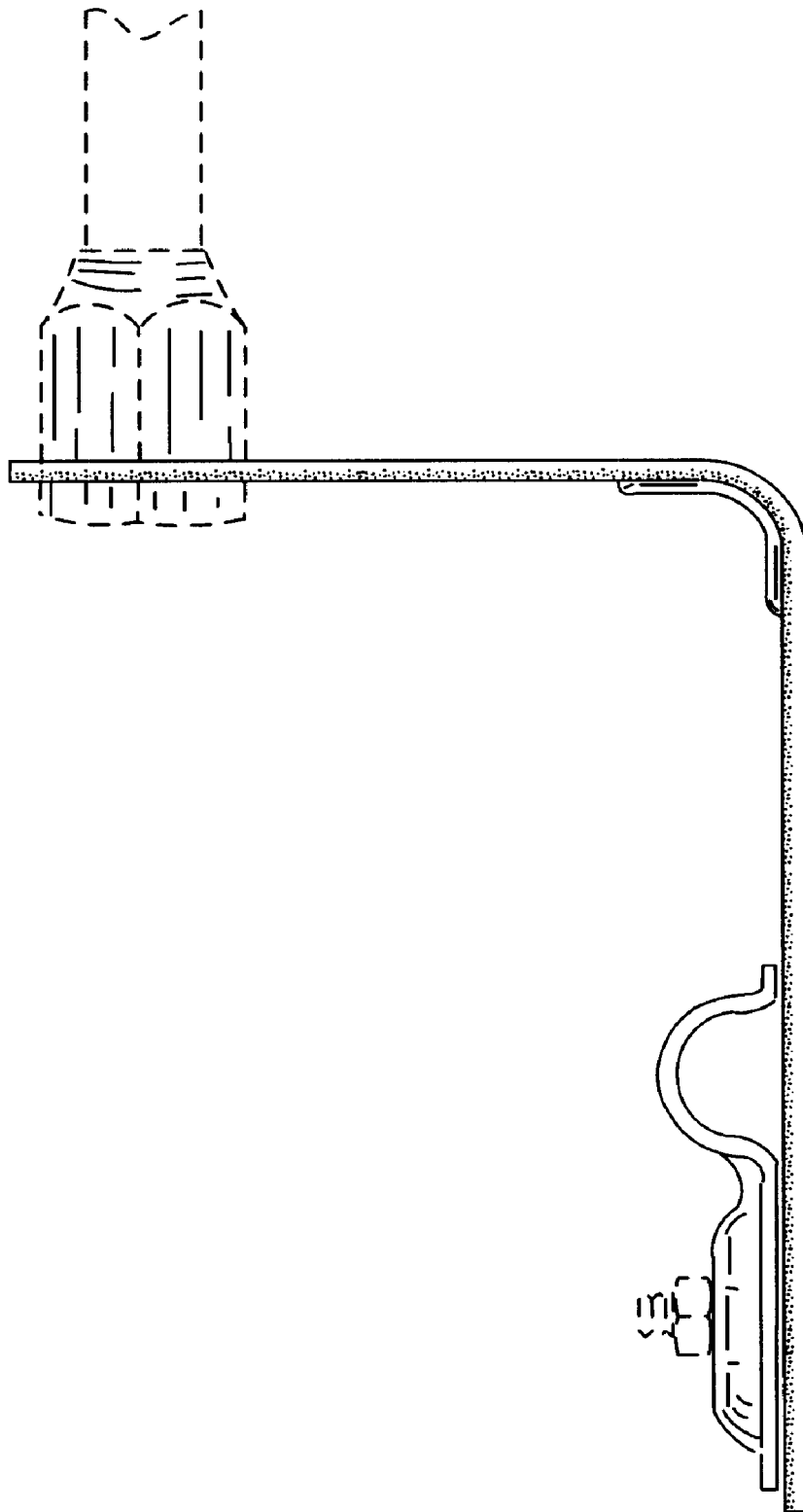


Fig. 5

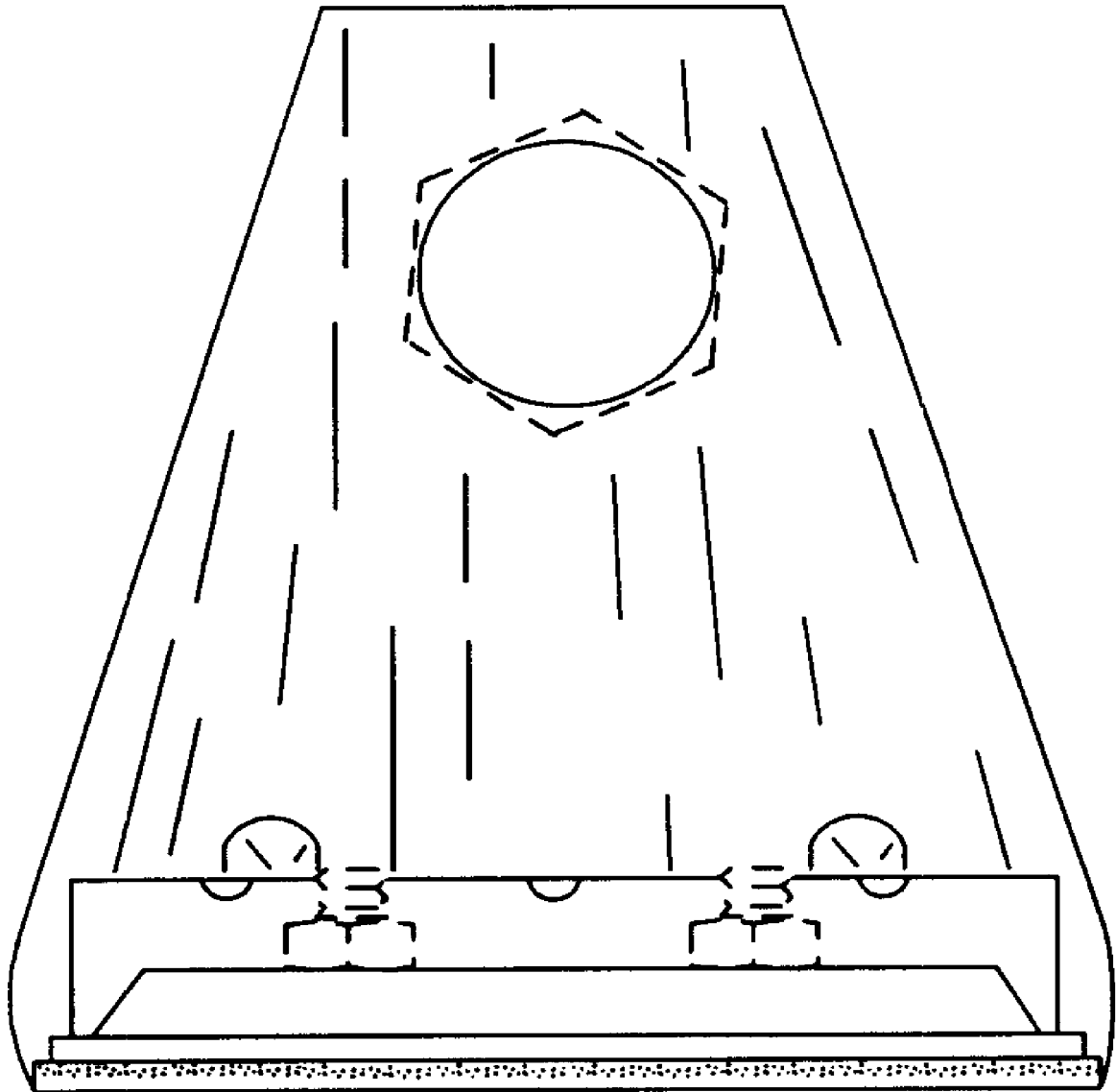


Fig. 6

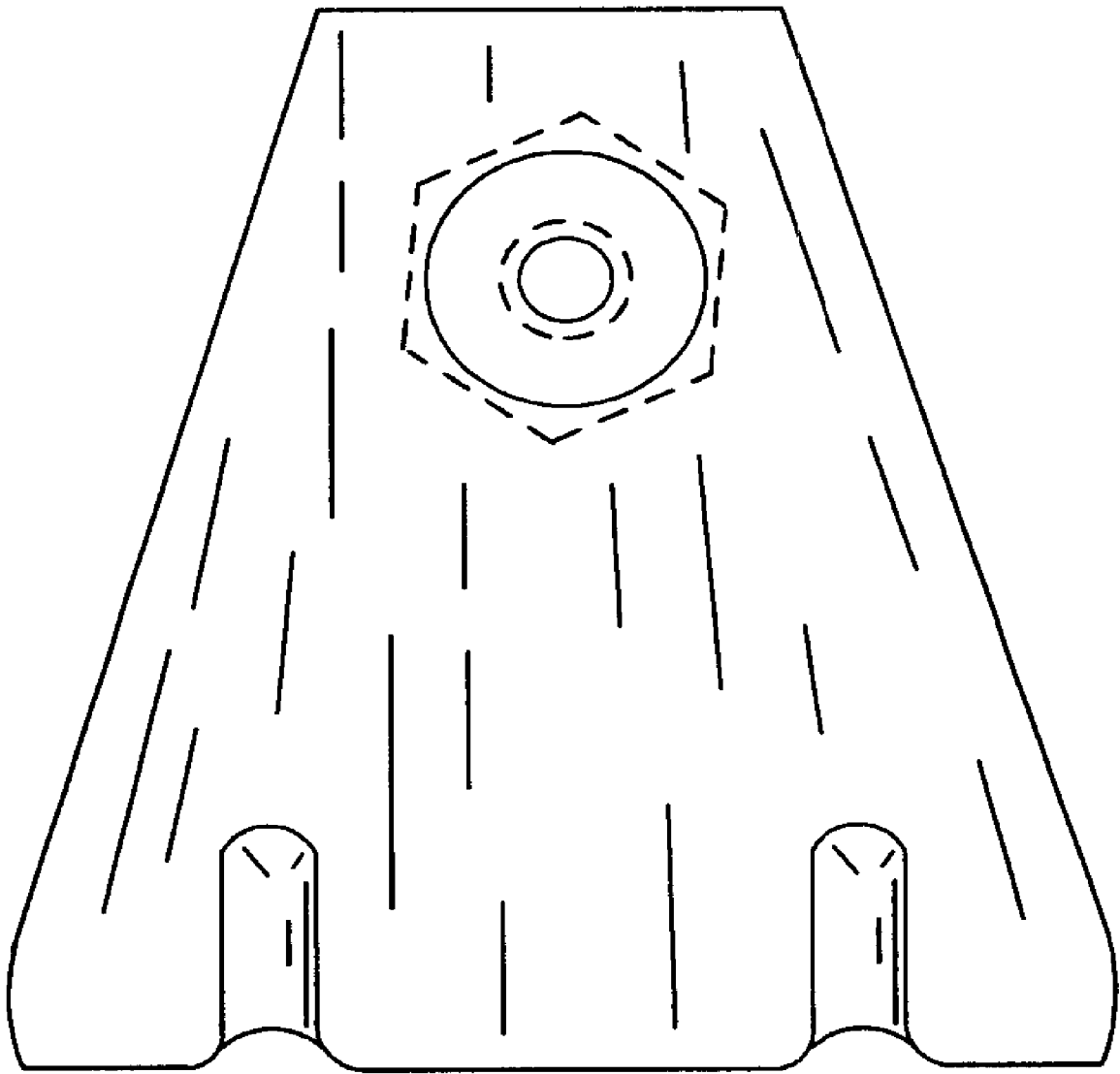


Fig. 7