



US00D484449S

(12) **United States Design Patent**
Ziemer et al.

(10) **Patent No.:** **US D484,449 S**

(45) **Date of Patent:** **** Dec. 30, 2003**

(54) **BOAT CLEAT**

6,009,824 A 1/2000 Ross

(76) Inventors: **David J. Ziemer**, 12644 Church St.,
Holland, NY (US) 14080; **Diane H.
Baker-Ziemer**, 12644 Church St.,
Holland, NY (US) 14080

OTHER PUBLICATIONS

Adopt a Dolphin. Homepage [Online] WDCS, 2001 [Retrieved on Feb. 13, 2003]. Retrieved from the Internet: <http://web.archive.org/web/20010927051056/http://www.adopta-dolphin.com/>.*

(**) Term: **14 Years**

* cited by examiner

(21) Appl. No.: **29/168,704**

Primary Examiner—Holly Baynham

(22) Filed: **Oct. 7, 2002**

(74) *Attorney, Agent, or Firm*—Simpson & Simpson, PLLC

(51) **LOC (7) Cl.** **12-06**

(57) **CLAIM**

(52) **U.S. Cl.** **D12/317; D8/356**

The ornamental design for a boat cleat, as shown.

(58) **Field of Search** D12/317; D8/356;
114/218; D11/82, 224, 233, 219, 239, 31,
49, 100, 134, 158

DESCRIPTION

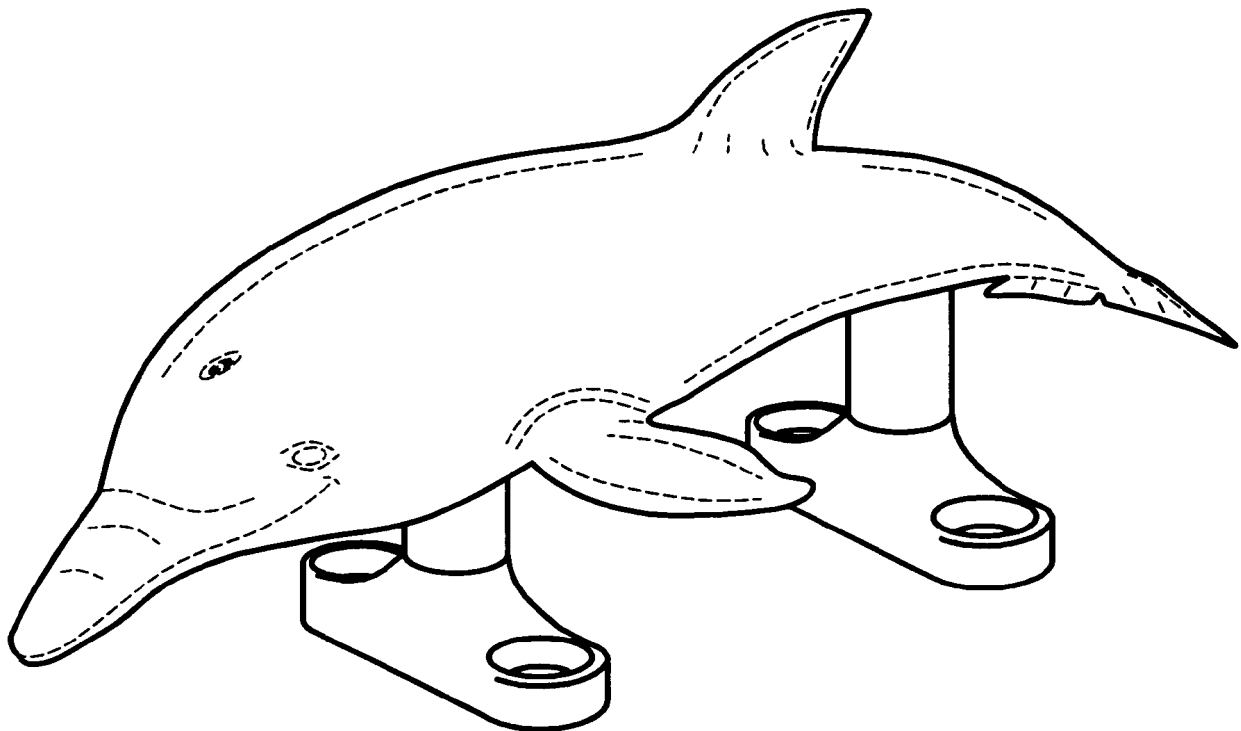
(56) **References Cited**

U.S. PATENT DOCUMENTS

D42,391 S	4/1912	Gebelein	
D106,247 S	9/1937	Bohland	
3,118,418 A	1/1964	Faul	
RE28,550 E	9/1975	Perkins	
D243,673 S	3/1977	West	
5,279,243 A	1/1994	Cole	
D354,693 S	* 1/1995	Miller D11/224
D355,352 S	* 2/1995	Whitley, II D8/356
D404,683 S	1/1999	Kostic	
D417,177 S	11/1999	Contreras	

FIG. 1 is a perspective view of a boat cleat showing our new design;
FIG. 2 is a top plan view of the present invention;
FIG. 3 is a right side elevational view of the present invention;
FIG. 4 is a bottom plan view of the present invention;
FIG. 5 is a left side elevational view of the present invention;
FIG. 6 is a front elevational view of the present invention;
and,
FIG. 7 is a rear elevational view of the present invention.
The broken lines showing the dolphin fins are for illustrative purposes only and form no part of the claimed design.

1 Claim, 4 Drawing Sheets



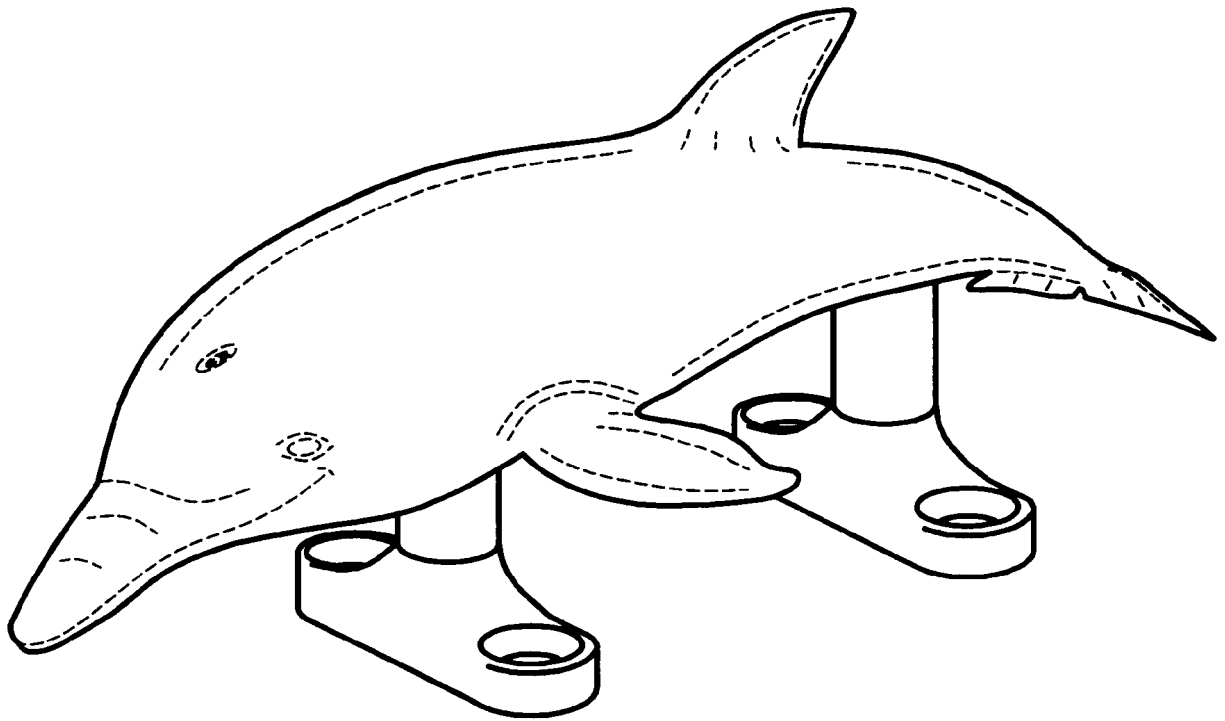


FIG. 1

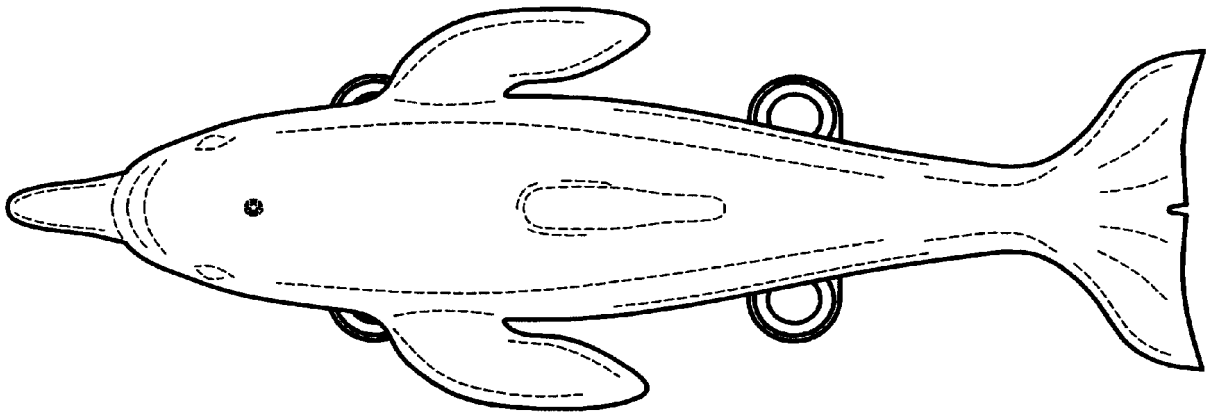


FIG. 2

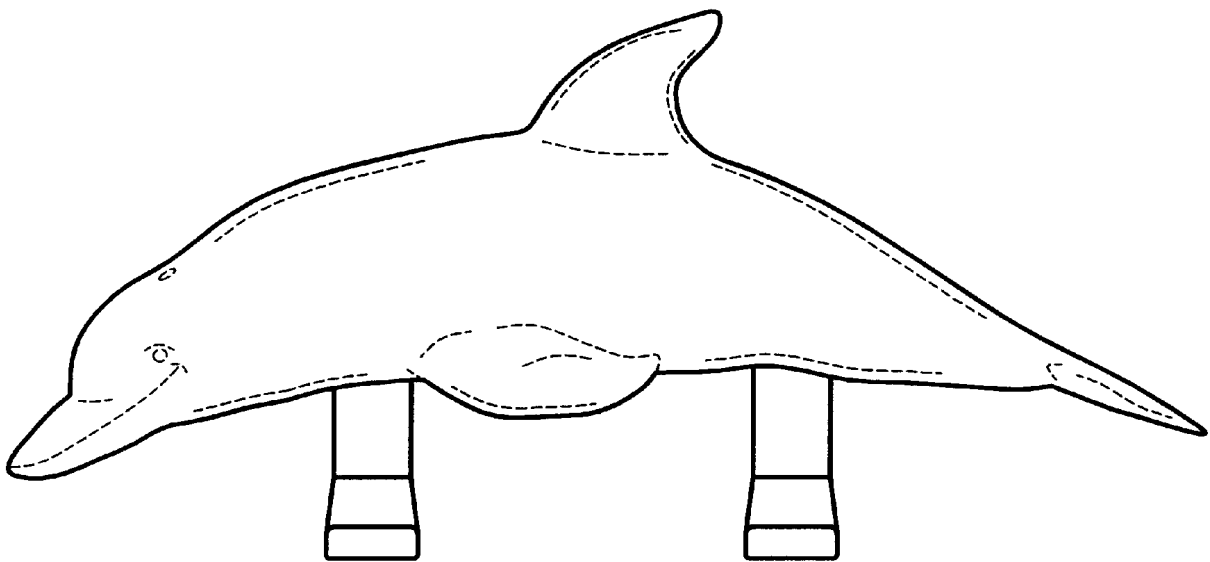


FIG. 3

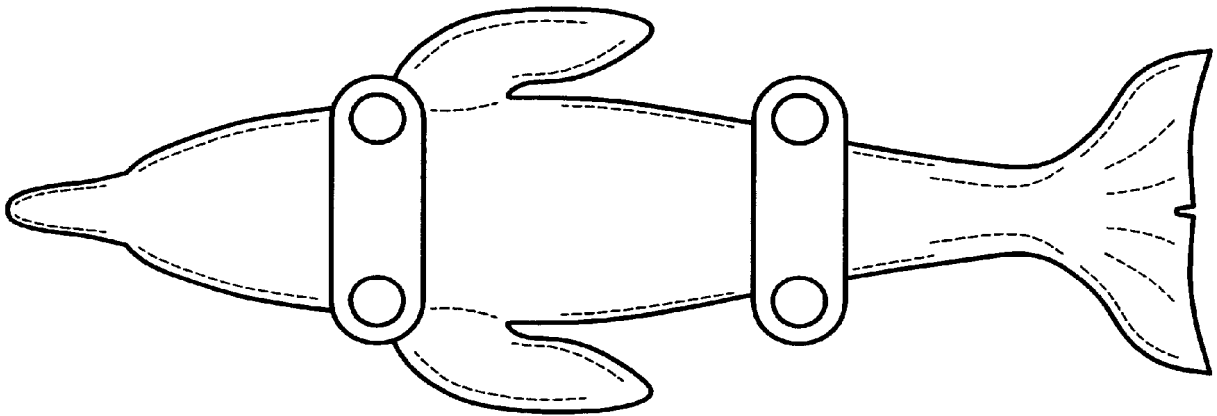


FIG. 4

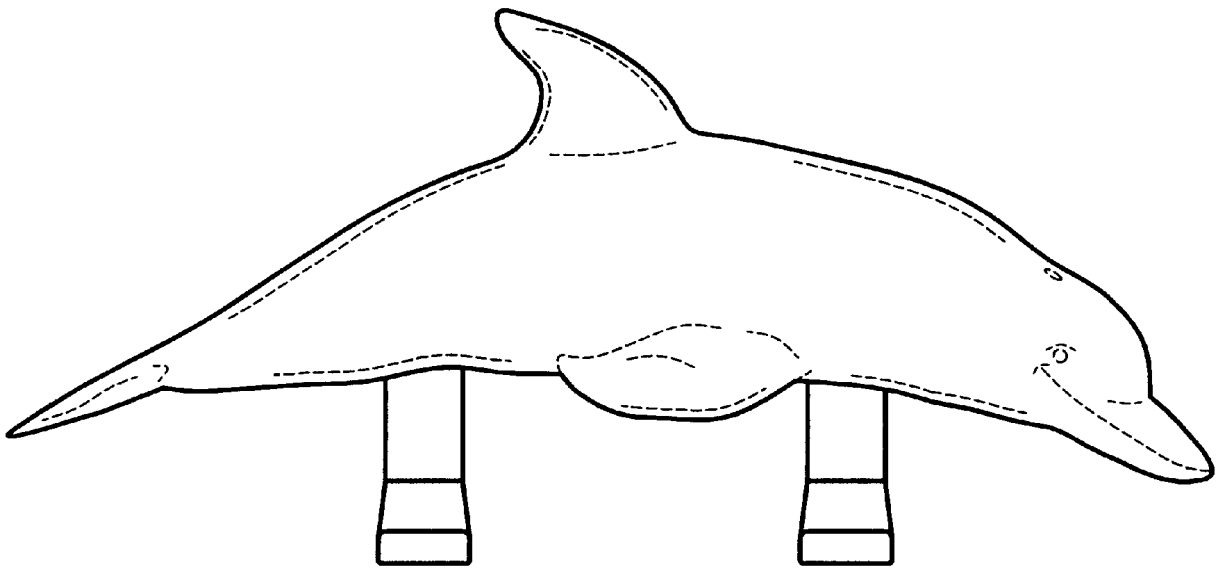


FIG. 5

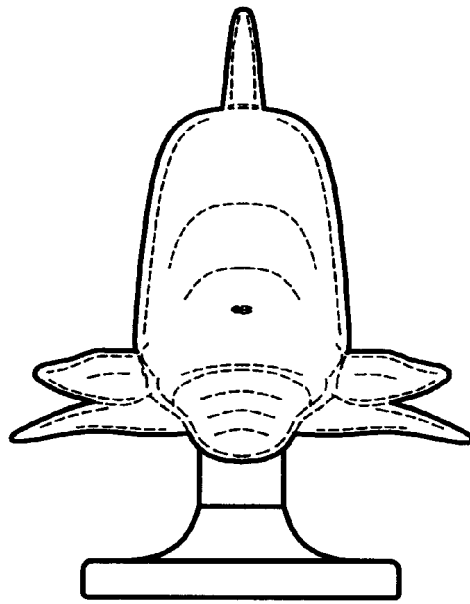


FIG. 6

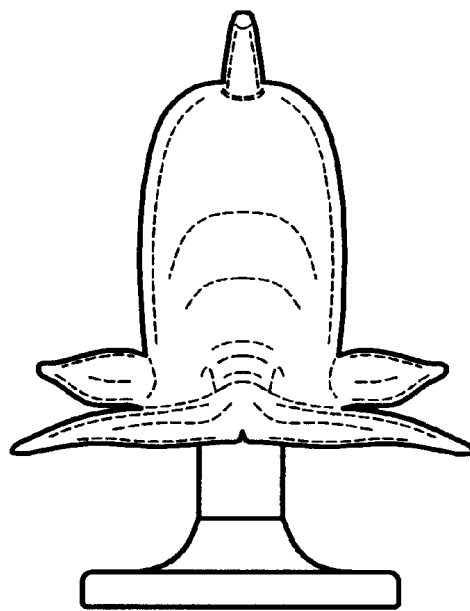


FIG. 7