



US00D487029S

(12) **United States Design Patent**
Heary, Sr.

(10) **Patent No.:** **US D487,029 S**

(45) **Date of Patent:** **** Feb. 24, 2004**

(54) **LIGHTNING ROD ASSEMBLY**

D159,330 S * 7/1950 Finkel D10/105

2,609,418 A * 9/1952 Binns et al. 248/300

2,661,918 A * 12/1953 Riggs 248/300

(75) **Inventor:** **Kenneth P. Heary, Sr.,** Springville, NY (US)

* cited by examiner

(73) **Assignee:** **Heary Bros. Lightning Protection Company, Inc.,** Springville, NY (US)

Primary Examiner—Nelson C. Holtje

(74) *Attorney, Agent, or Firm*—Simpson & Simpson, PLLC

(**) **Term:** **14 Years**

(57) **CLAIM**

(21) **Appl. No.:** **29/183,341**

The ornamental design for a lightning rod assembly, as shown.

(22) **Filed:** **Jun. 11, 2003**

DESCRIPTION

(51) **LOC (7) Cl.** **10-05**

FIG. 1 is a perspective view of a lightning rod assembly showing my new design;

(52) **U.S. Cl.** **D10/105**

FIG. 2 is a left side elevational view of the present invention; FIG. 3 is a right side elevational view of the present invention;

(58) **Field of Search** D10/105; 361/117-119; 248/226.12, 237, 300, 309.1, 346.3

FIG. 4 is a front elevational view of the present invention; FIG. 5 is a rear elevational view of the present invention; FIG. 6 is a top plan view of the present invention; and, FIG. 7 is a bottom plan view of the present invention.

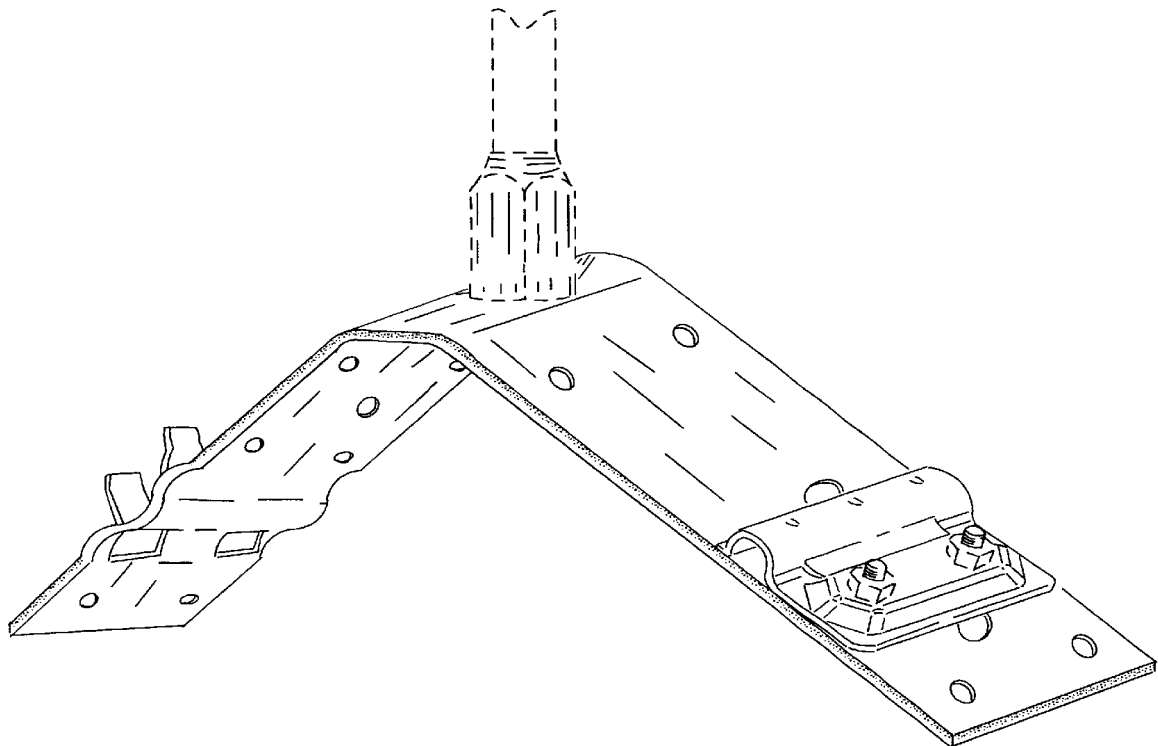
(56) **References Cited**

The structures shown in broken lines form no part of the claimed invention.

U.S. PATENT DOCUMENTS

D42,173	S	*	2/1912	Kretzer	D10/105
1,122,434	A	*	12/1914	Steppes	174/4 R
1,467,922	A	*	9/1923	Creighton	174/4 R
1,513,931	A	*	11/1924	Rea	174/4 R
1,538,946	A	*	5/1925	Moore	174/4 R
1,649,697	A	*	11/1927	Hoovens	174/4 R
1,666,670	A	*	4/1928	Schoebelen	174/4 R

1 Claim, 5 Drawing Sheets



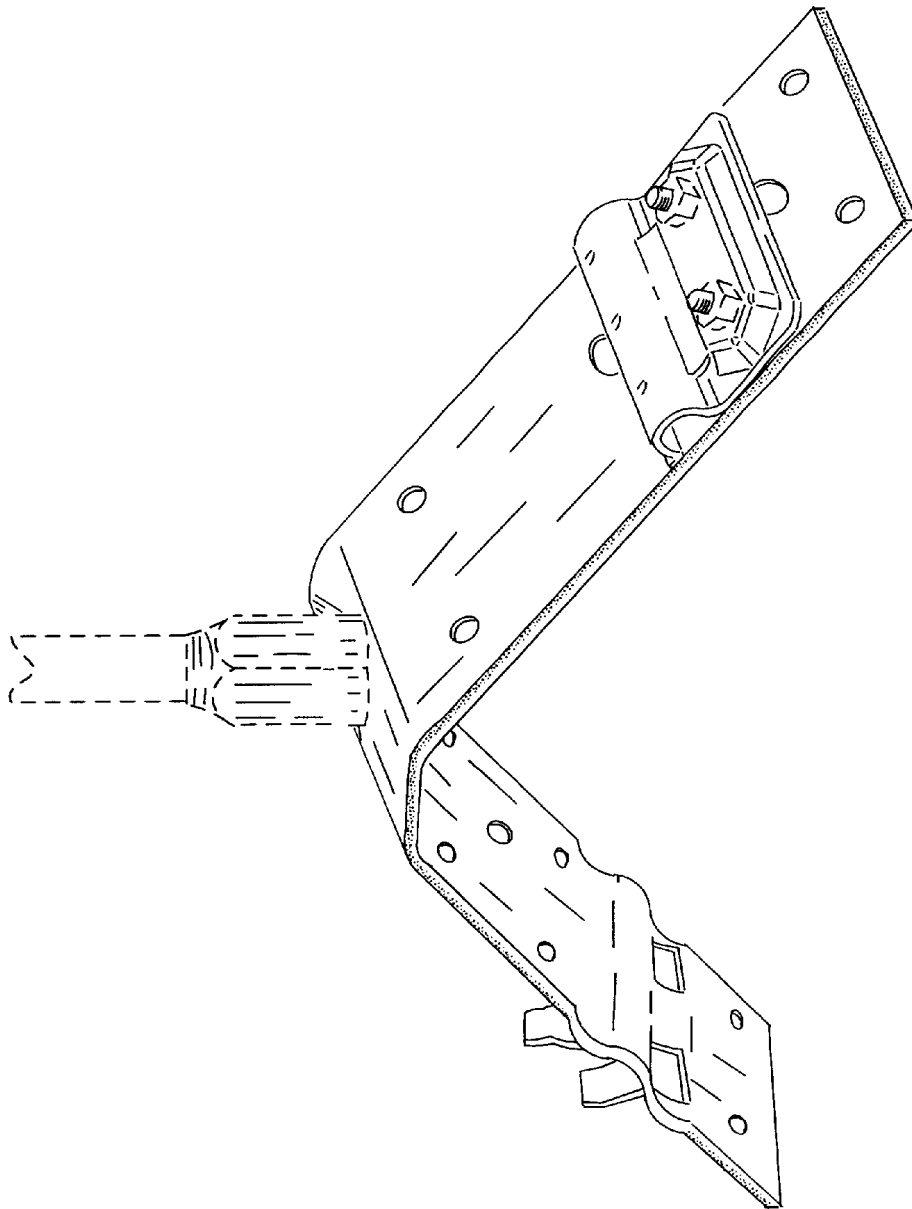


Fig. 1

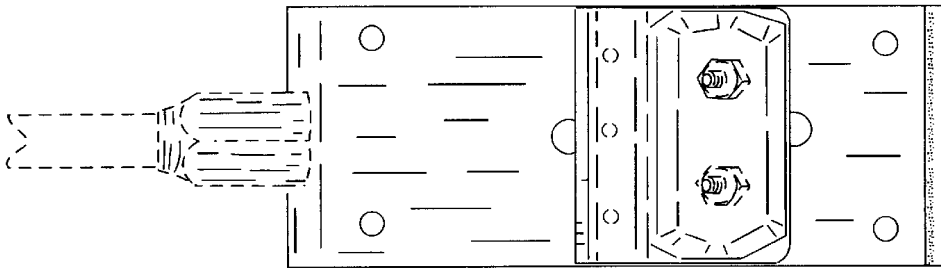


Fig. 3

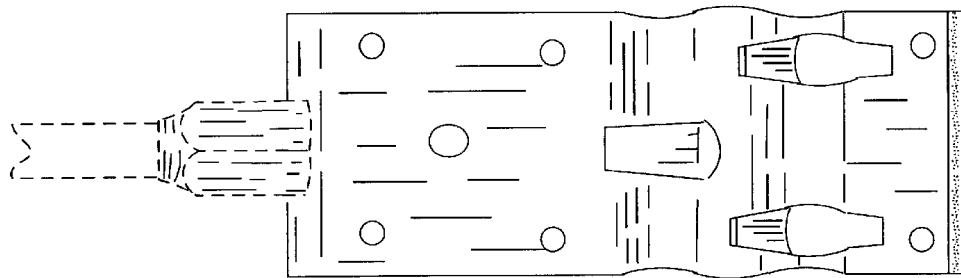


Fig. 2

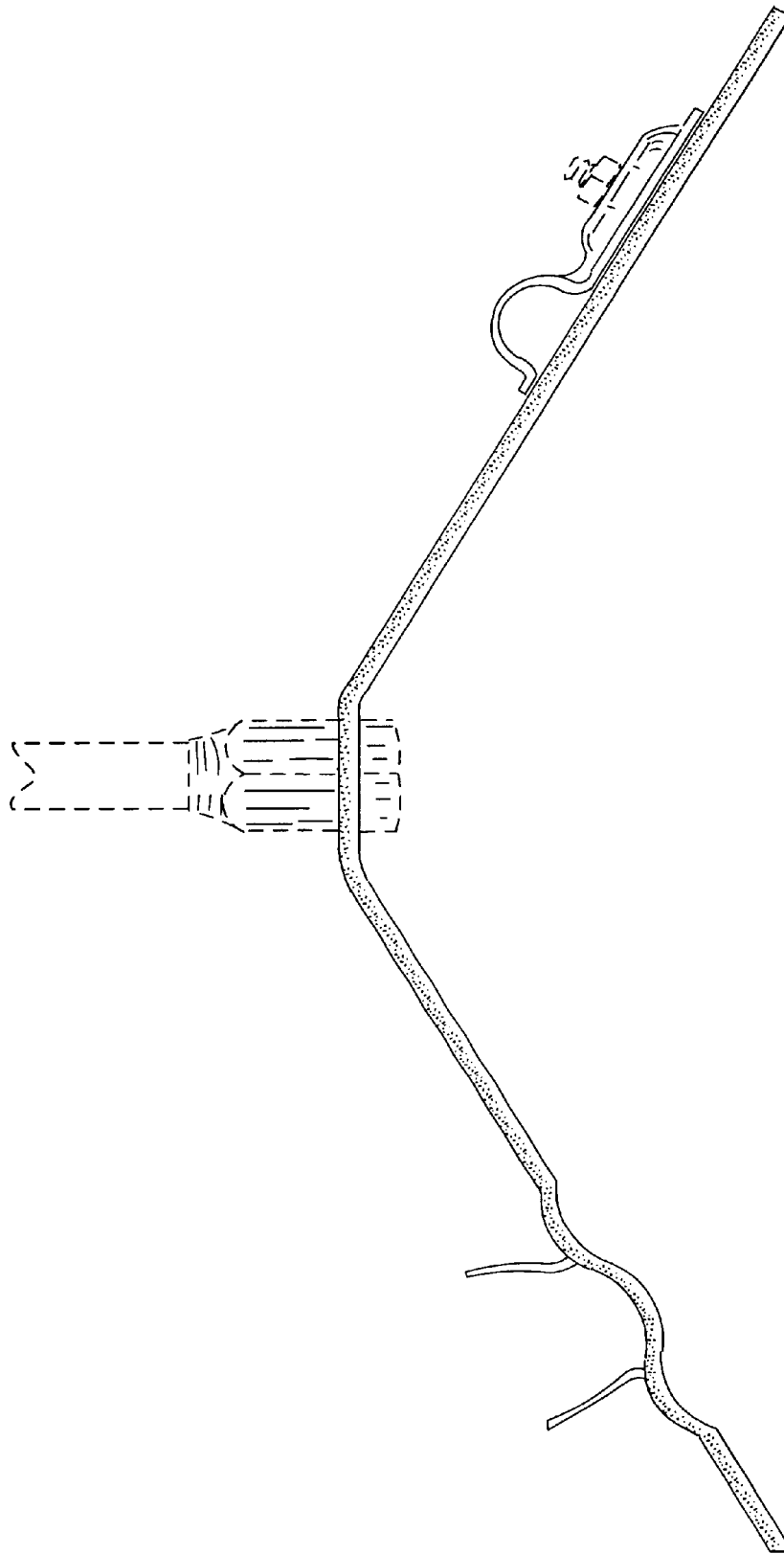


Fig. 4

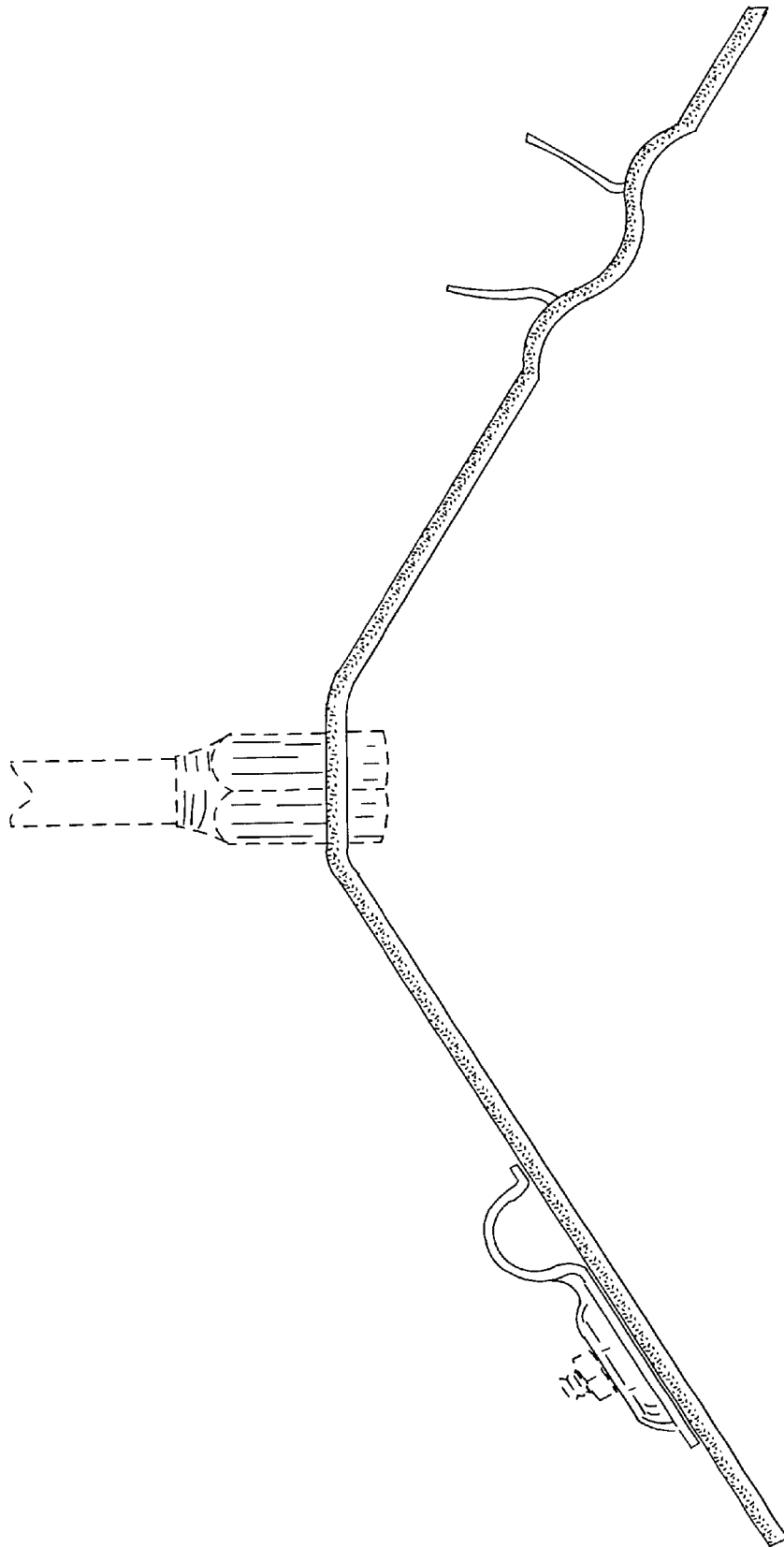


Fig. 5

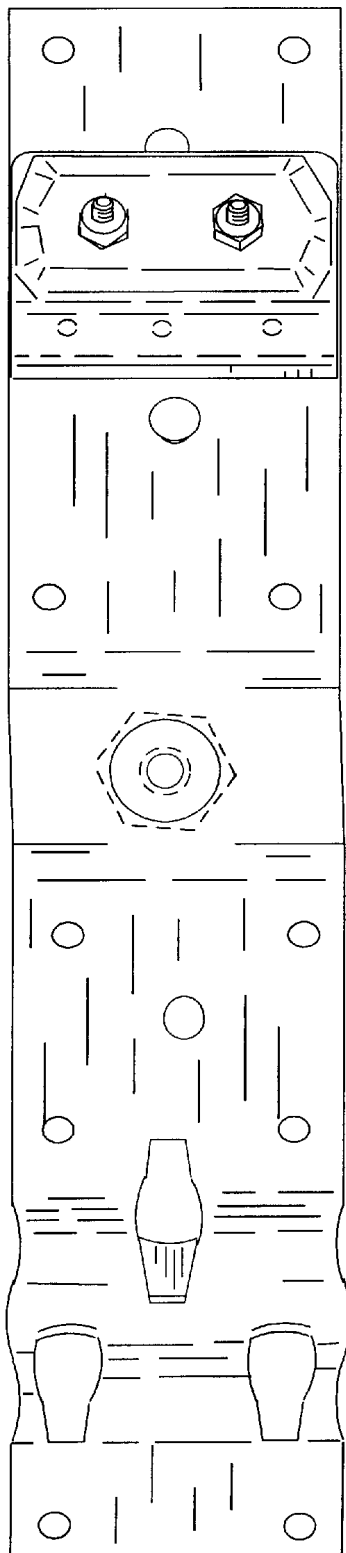


Fig. 6

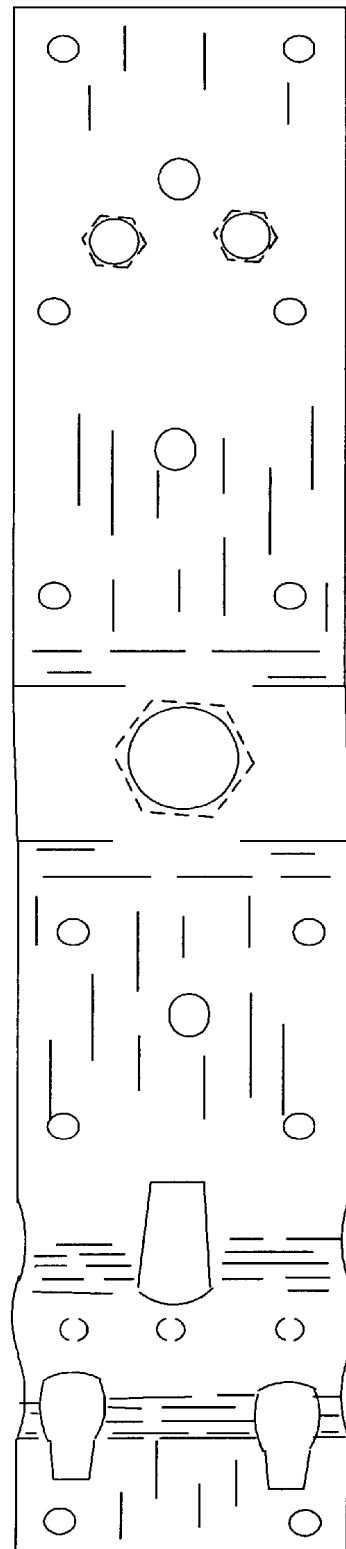


Fig. 7