



US00D497880S1

(12) **United States Design Patent** (10) **Patent No.:** **US D497,880 S**  
**Apotheloz** (45) **Date of Patent:** **\*\* Nov. 2, 2004**

(54) **UNIVERSAL MANUAL CONTROL**  
(75) **Inventor:** **Christophe Apotheloz, Zurich (CH)**  
(73) **Assignee:** **Leica Microsystems (Schweiz) AG, Heerbrugg (CH)**  
(\*\*) **Term:** **14 Years**

D392,945 S \* 3/1998 Barry et al. .... D13/168  
D422,522 S \* 4/2000 Lin ..... D10/106  
6,127,920 A \* 10/2000 Chen ..... 340/425.5  
6,466,154 B1 \* 10/2002 Kim et al. .... 341/176  
D482,336 S \* 11/2003 Stekelenburg ..... D13/168

\* cited by examiner

*Primary Examiner*—Stella Reid  
*Assistant Examiner*—Selina Sikder  
(74) *Attorney, Agent, or Firm*—Simpson & Simpson, PLLC

(21) **Appl. No.:** **29/182,121**  
(22) **Filed:** **May 20, 2003**

(57) **CLAIM**

(30) **Foreign Application Priority Data**  
Nov. 23, 2002 (DE) ..... 402 09 500

The ornamental design for a universal manual control, as shown.

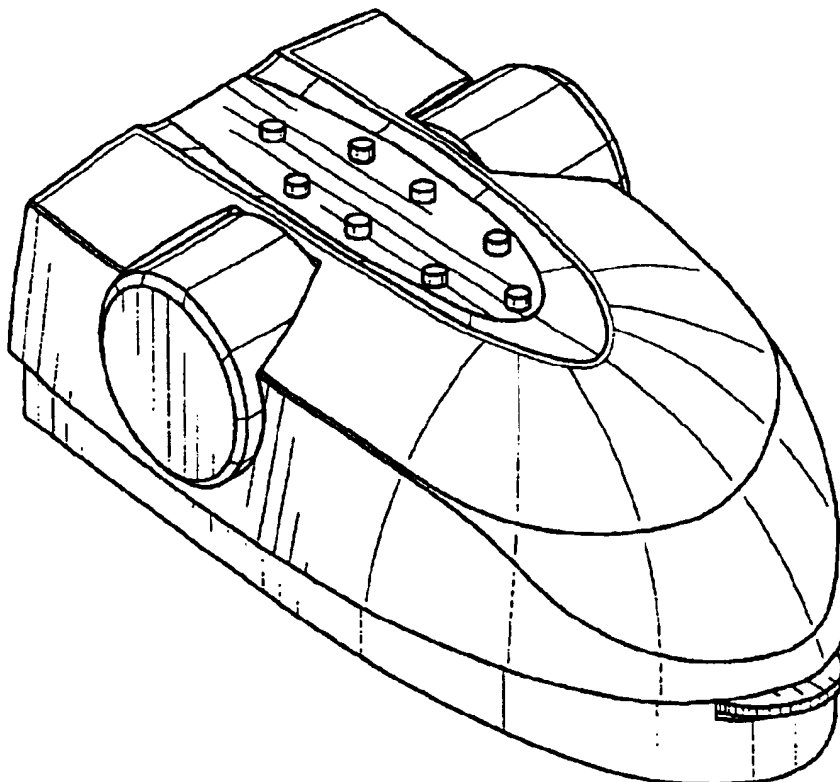
(51) **LOC (7) Cl.** ..... **13-03**  
(52) **U.S. Cl.** ..... **D13/168**  
(58) **Field of Search** ..... D13/162, 164, D13/168; D10/104, 106; D14/171, 191, 218; D21/329; 123/179.2; 341/176; 340/825, 825.22, 825.23, 825.24, 825.25, 825.31, 825.32, 825.36, 825.58, 825.69, 825.72, 425.5, 426, 539, 32; 455/151.1–151.4, 352

**DESCRIPTION**

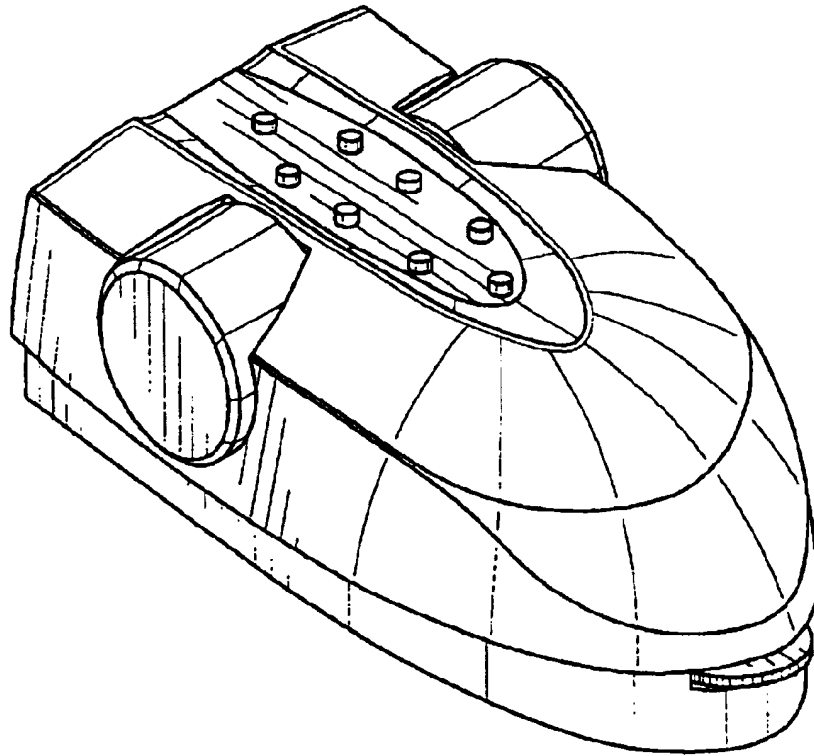
FIG. 1 is a perspective view of the universal manual control of the invention;  
FIG. 2 is a front elevation view of the invention;  
FIG. 3 is a left side elevation view of the invention;  
FIG. 4 is a right side elevation view of the invention;  
FIG. 5 is a rear elevation view of the invention taken generally along line 5—5 in FIG. 1;  
FIG. 6 is a top plan view of the invention; and,  
FIG. 7 is a bottom plan view of the invention.

(56) **References Cited**  
**U.S. PATENT DOCUMENTS**  
D385,208 S \* 10/1997 Chui ..... D10/104

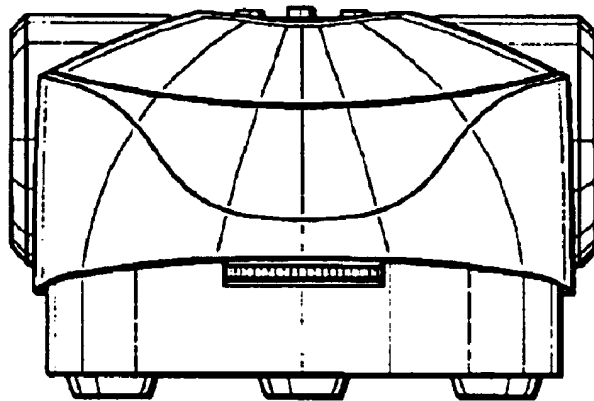
**1 Claim, 7 Drawing Sheets**



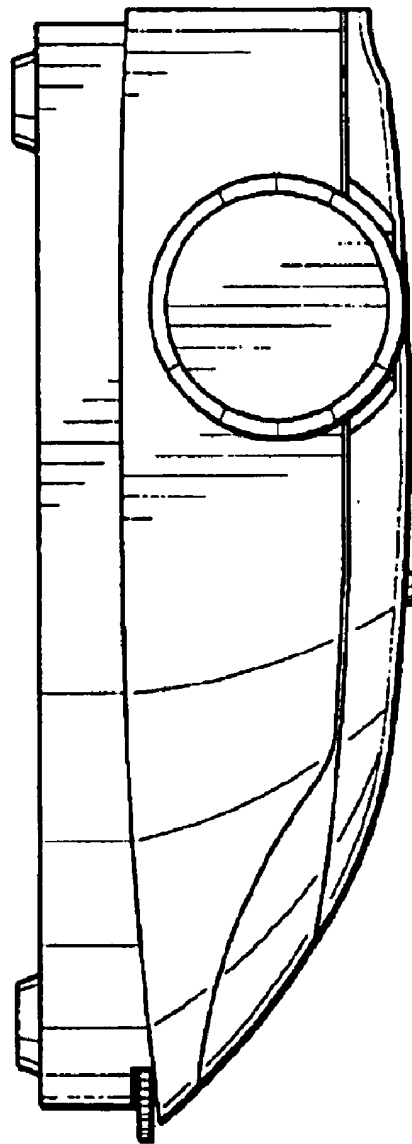
**FIG. 1**



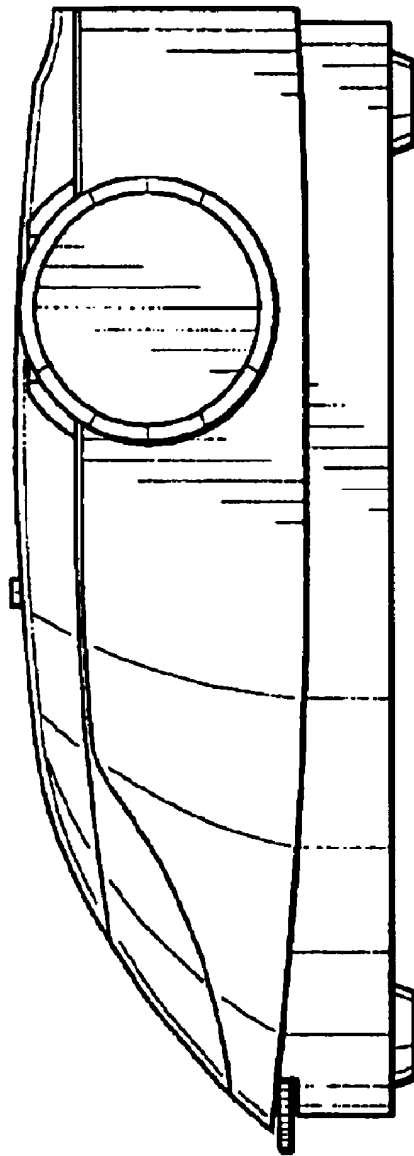
**FIG.2**



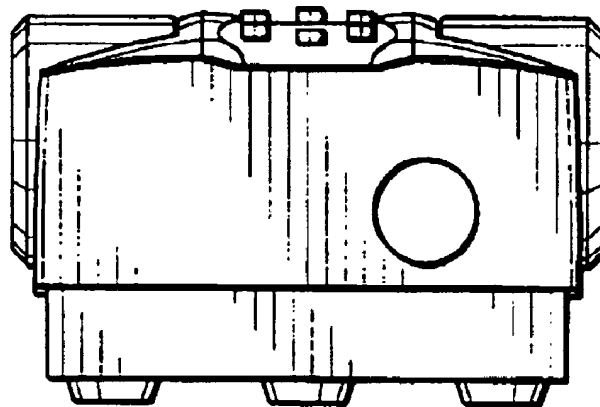
**FIG. 3**



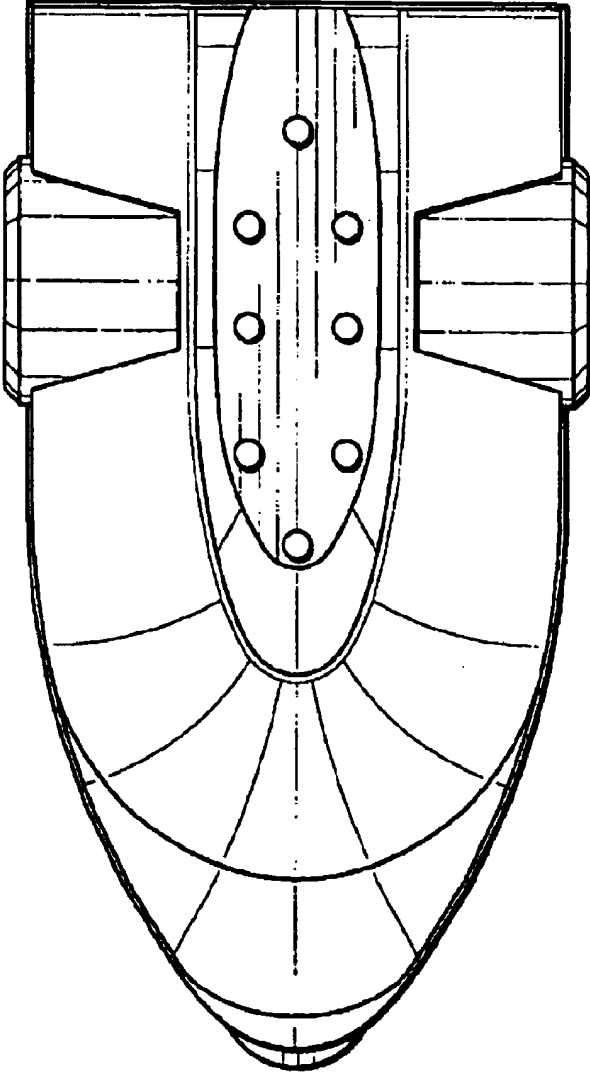
**FIG. 4**



***FIG. 5***



**FIG. 6**



**FIG.7**

