



US00D501861S

(12) **United States Design Patent** (10) **Patent No.:** **US D501,861 S**
Peter et al. (45) **Date of Patent:** **** Feb. 15, 2005**

(54) **REMOTE CONTROL FOR AN OPTICAL SYSTEM**

D415,746 S * 10/1999 Edwards et al. D14/409
D433,414 S * 11/2000 Thompson et al. D14/402
6,556,150 B1 * 4/2003 McLoone et al. 341/20
6,580,419 B1 * 6/2003 O'Keefe et al. 345/163

(75) Inventors: **Katja Peter**, Wetzlar (DE); **Frank Toennissen**, Bottrop (DE); **Christian Knoll**, Stuttgart (DE); **Dietmar Kempf**, Schoenaich (DE); **Philipp Boehmel**, Dresden (DE)

* cited by examiner

Primary Examiner—Paula A. Greene
(74) *Attorney, Agent, or Firm*—Simpson & Simpson, PLLC

(73) Assignees: **Leica Microsystems Wetzlar GmbH**, Bad Camberg (DE); **Fraunhofer Gesellschaft zur Forderrung der angewandten Forschung e.V.** (DE)

(57) **CLAIM**

The ornamental design for remote control for an optical system, as shown and described.

(**) Term: **14 Years**

DESCRIPTION

(21) Appl. No.: **29/183,682**

FIG. 1 is a perspective view of a remote control for an optical system showing our new design;

(22) Filed: **Jun. 16, 2003**

FIG. 2 is a front elevational view of the invention shown in FIG. 1;

(51) **LOC (7) Cl.** **16-06**

FIG. 3 is a right side elevational view of the invention shown in FIG. 1;

(52) **U.S. Cl.** **D16/130; D16/131; D14/408**

FIG. 4 is a left side elevational view of the invention shown in FIG. 1;

(58) **Field of Search** D16/130, 131, D16/136; D14/402-407, 408, 409, 410; 341/20; 345/156-167; 359/381, 392, 393

FIG. 5 is a rear elevational view of the invention shown in FIG. 1;

(56) **References Cited**

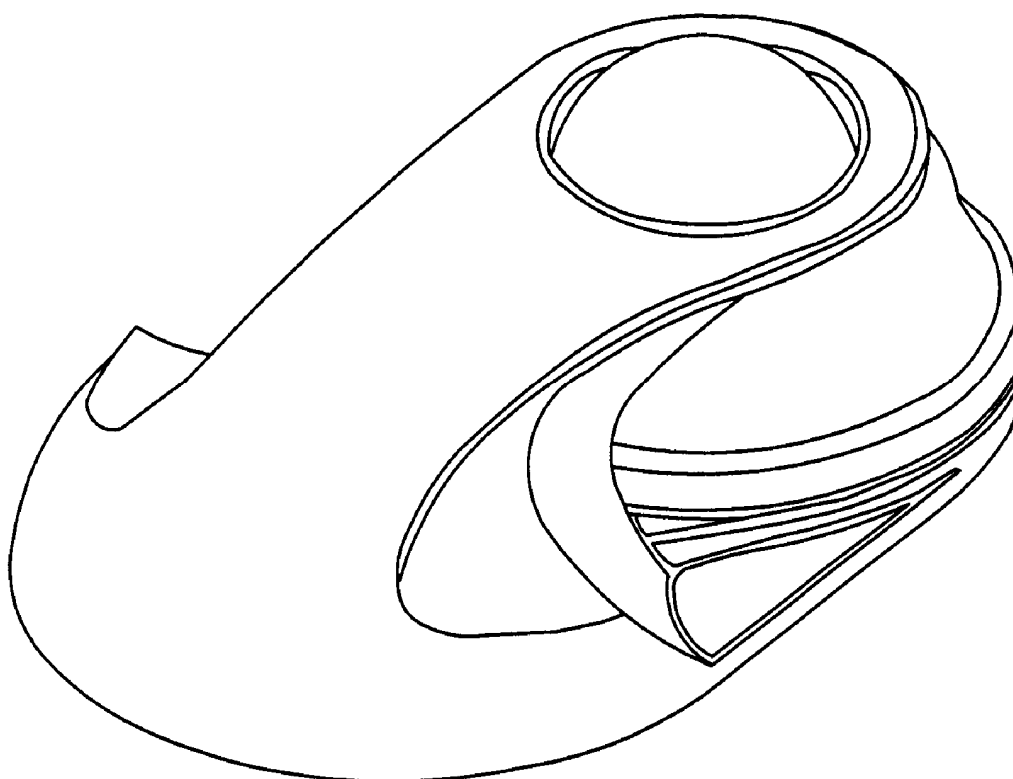
FIG. 6 is a top plan view of the invention shown in FIG. 1; and,

U.S. PATENT DOCUMENTS

FIG. 7 is a bottom plan view of the invention shown in FIG. 1.

4,624,537 A * 11/1986 Hanssen et al. 359/393
5,252,970 A * 10/1993 Baronowsky 341/20
5,428,368 A * 6/1995 Grant 345/163

1 Claim, 7 Drawing Sheets



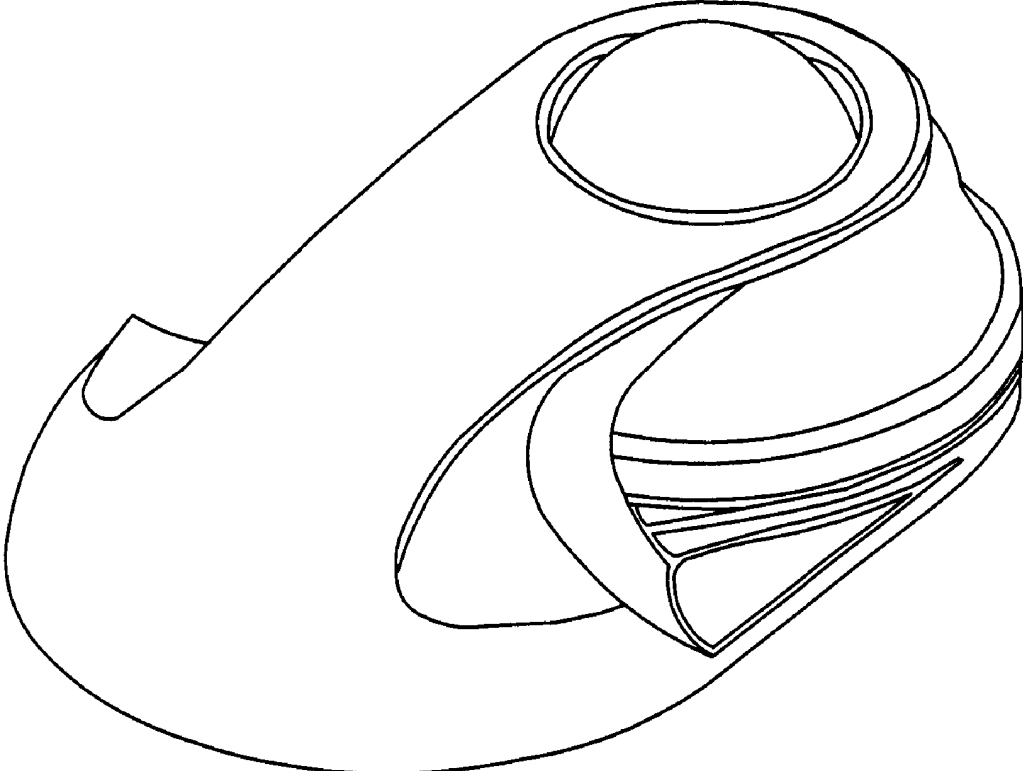


Fig. 1

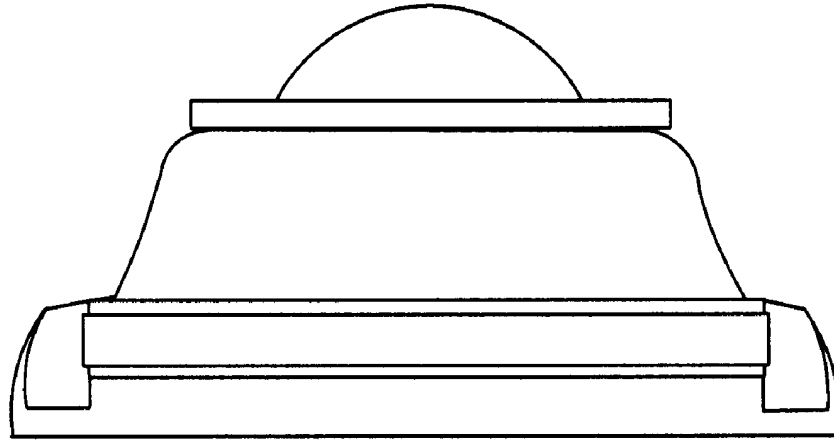


Fig. 2

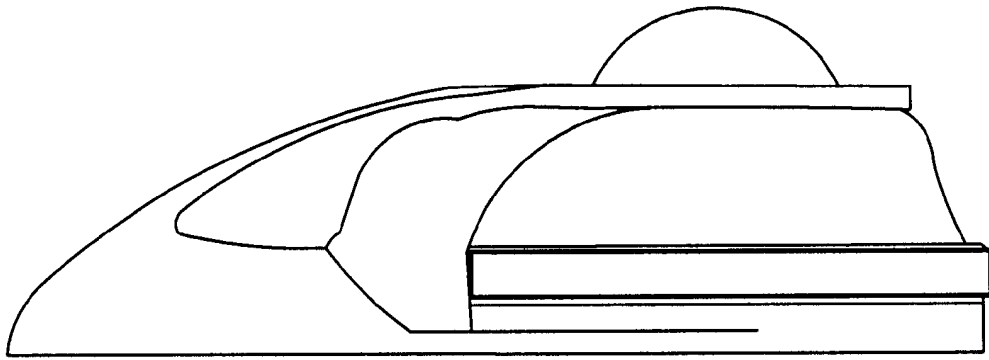


Fig. 3

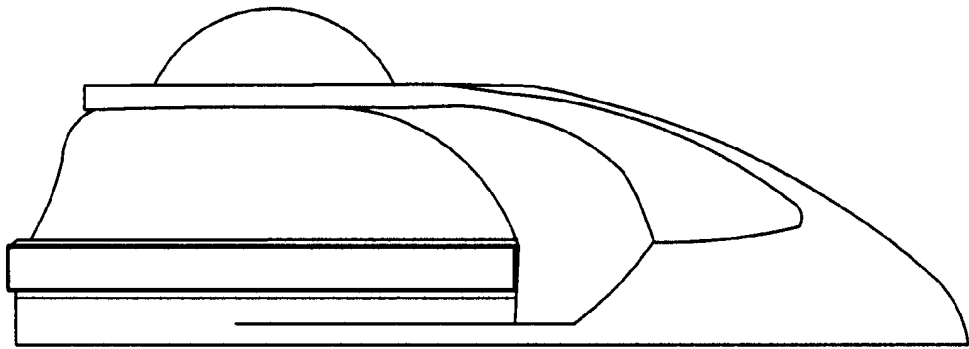


Fig. 4

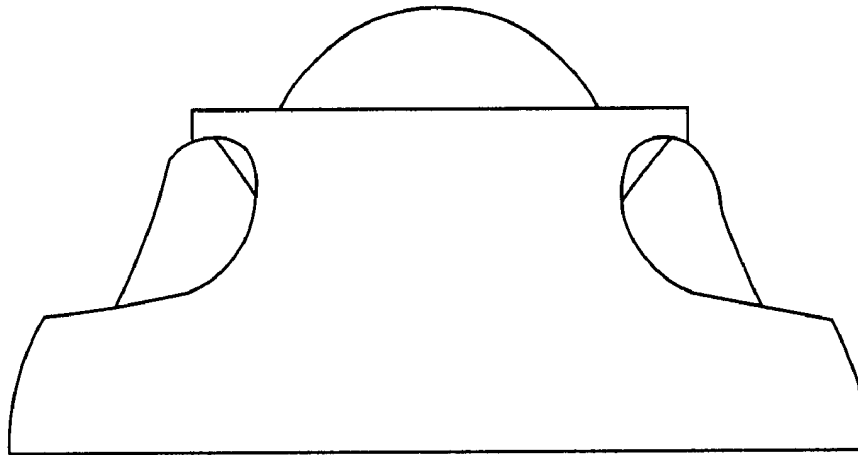


Fig. 5

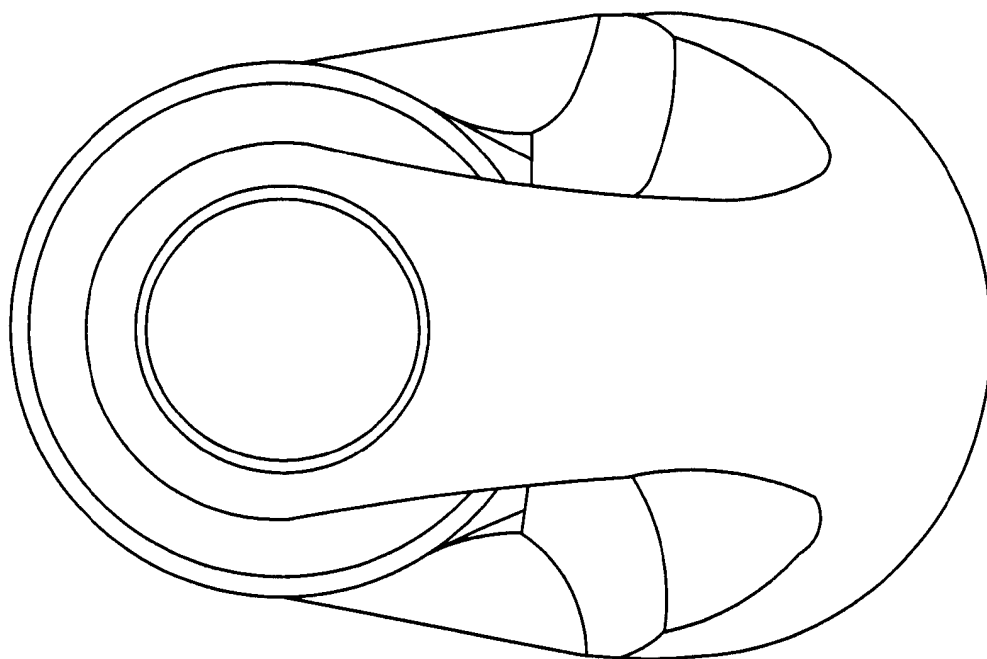


Fig. 6

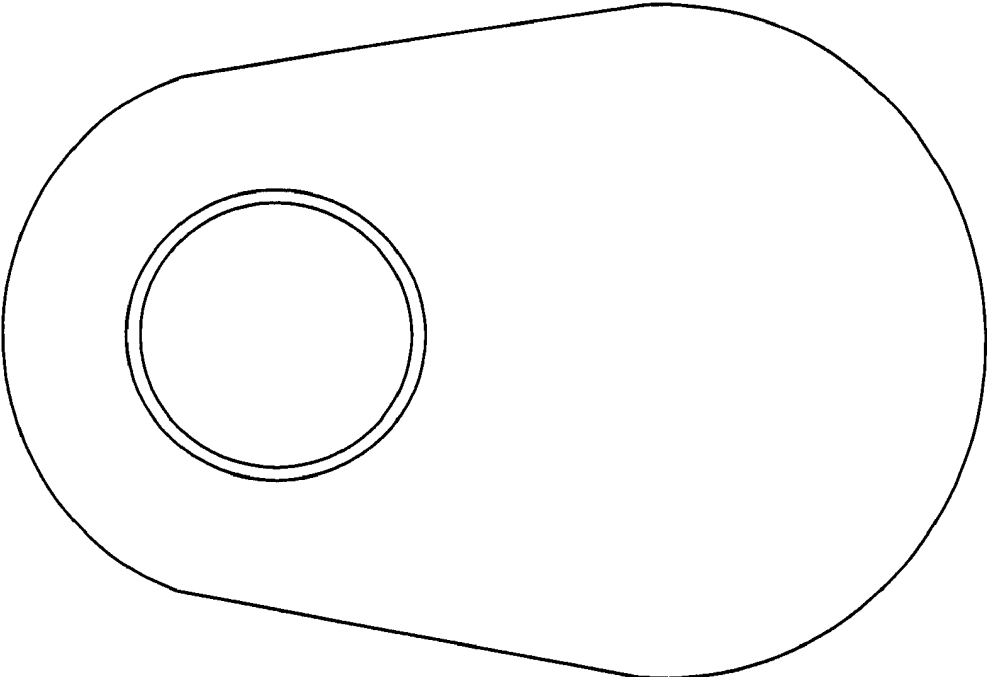


Fig. 7