



US00D507006S

(12) **United States Design Patent** (10) **Patent No.:** **US D507,006 S**
Apotheloz et al. (45) **Date of Patent:** **** Jul. 5, 2005**

(54) **MICROSCOPE STAND**

(75) Inventors: **Christophe Apotheloz**, Zurich (CH);
Kenneth M. Northem, West Seneca,
NY (US)

(73) Assignee: **Leica Microsystems Wetzlar GmbH**,
Wetzlar (DE)

(**) Term: **14 Years**

(21) Appl. No.: **29/204,076**

(22) Filed: **Apr. 22, 2004**

(30) **Foreign Application Priority Data**

Oct. 25, 2003 (DE) 403 06 867

(51) **LOC (8) Cl.** **16-06**

(52) **U.S. Cl.** **D16/131**

(58) **Field of Search** D16/130, 131,
D16/134; 359/375, 376, 381, 382, 383,
385, 390, 393

(56) **References Cited**

U.S. PATENT DOCUMENTS

D195,998 S * 8/1963 Aubok D16/131
4,299,440 A * 11/1981 Hodgson 359/393
D291,702 S * 9/1987 Kahute D16/131
D296,904 S * 7/1988 Lukaszewski D16/131
D345,748 S * 4/1994 Holbl D16/131
D354,761 S * 1/1995 Komatsuzaki et al. D16/131

D400,548 S * 11/1998 Komatsuzaki D16/131
D404,410 S * 1/1999 Hoffman-Igl D16/131
D425,921 S * 5/2000 Holbl et al. D16/131
D429,265 S 8/2000 Höbl et al.
D444,159 S 6/2001 Höbl et al.

* cited by examiner

Primary Examiner—Paula A. Greene

(74) *Attorney, Agent, or Firm*—Simpson & Simpson, PLLC

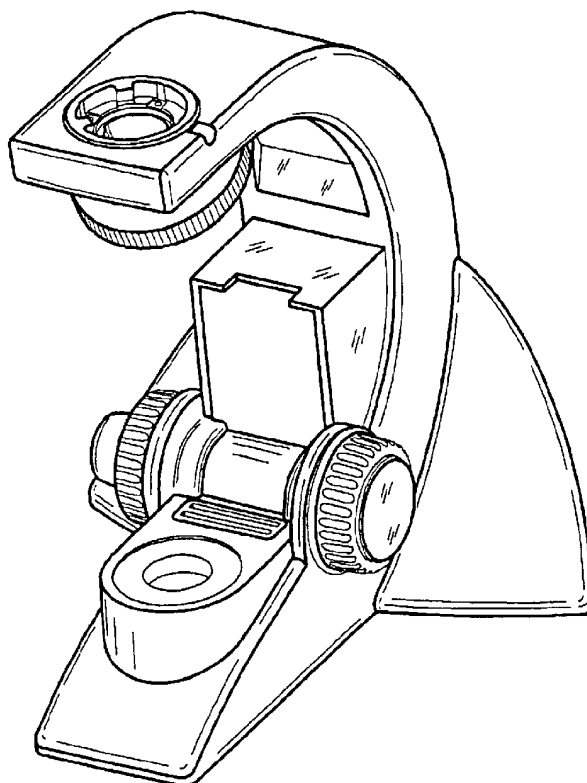
(57) **CLAIM**

The ornamental design for a microscope stand, as shown and described.

DESCRIPTION

FIG. 1 is a perspective view of a microscope stand, viewed at an angle to its upper left front, showing our new design; FIG. 2 is a left side view of the microscope stand of present invention; FIG. 3 is a front view of the microscope stand of present invention; FIG. 4 is a right side view of the microscope stand of present invention; FIG. 5 is a rear view of the microscope stand of present invention; FIG. 6 is a top view of the microscope stand of present invention; and, FIG. 7 is a bottom view of the microscope stand of present invention.

1 Claim, 7 Drawing Sheets



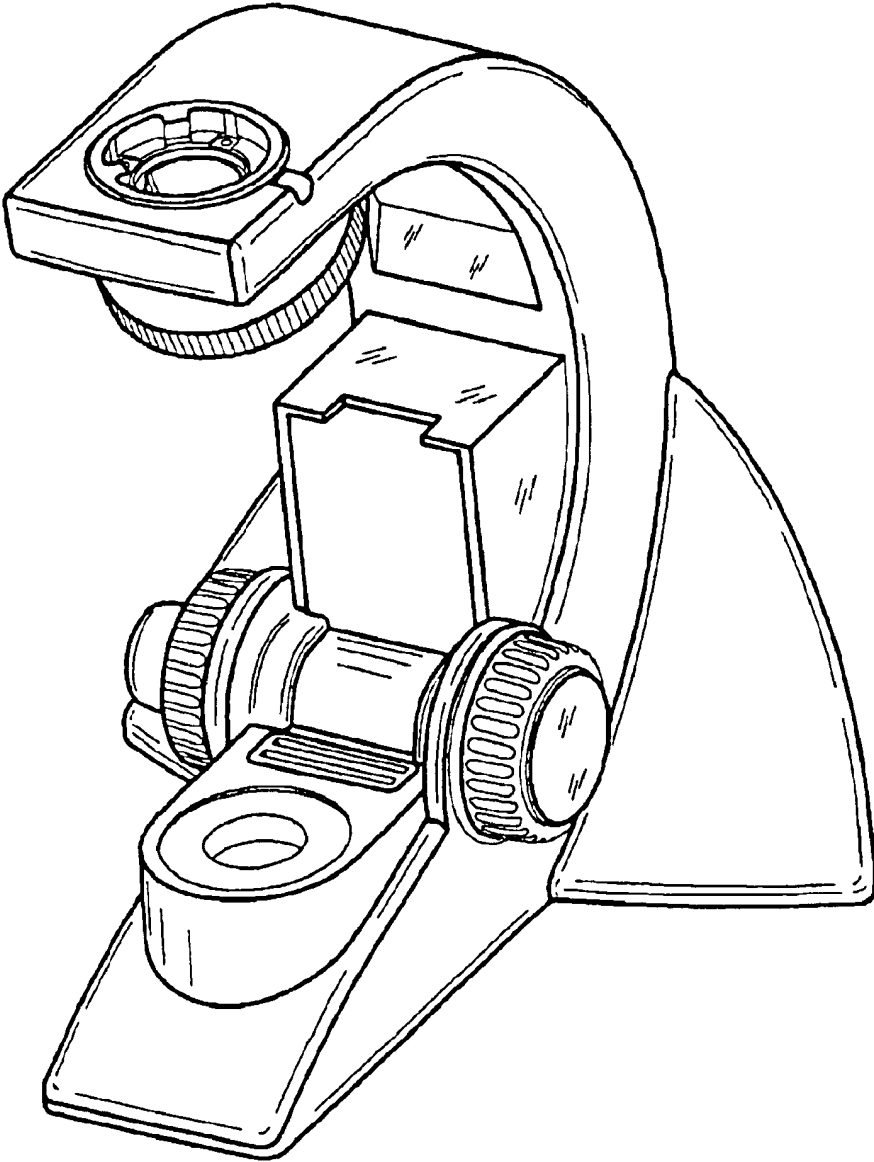


Fig. 1

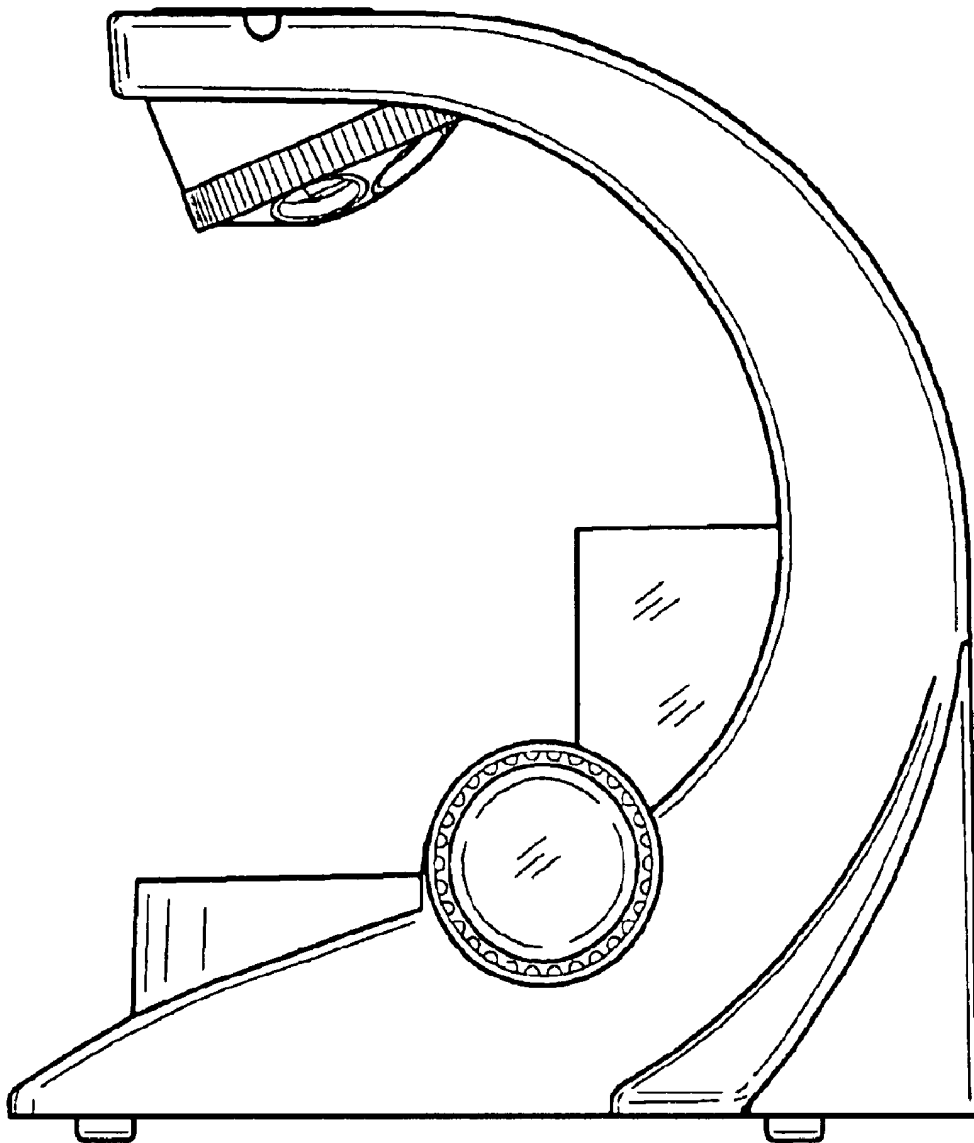


Fig. 2

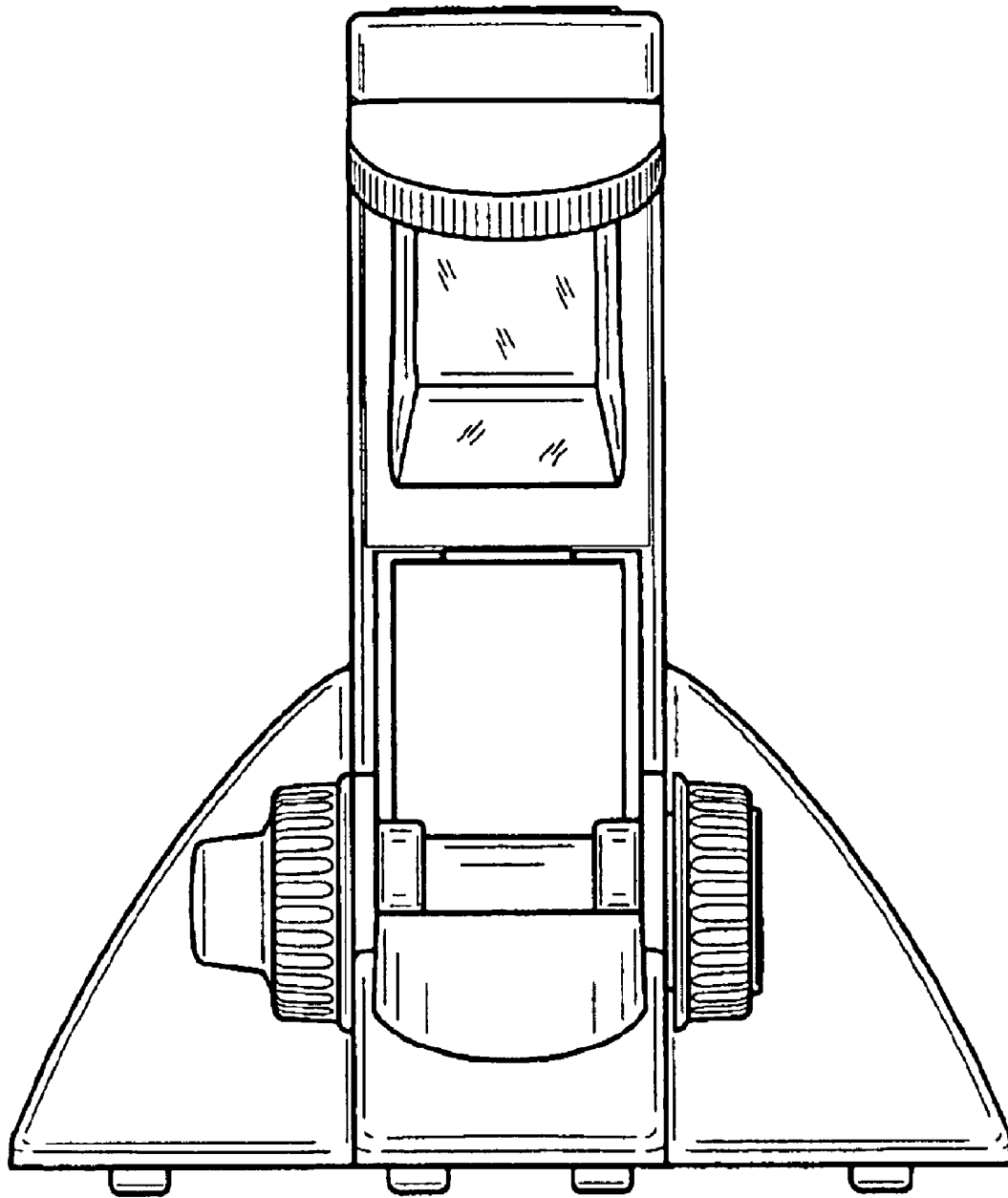


Fig. 3

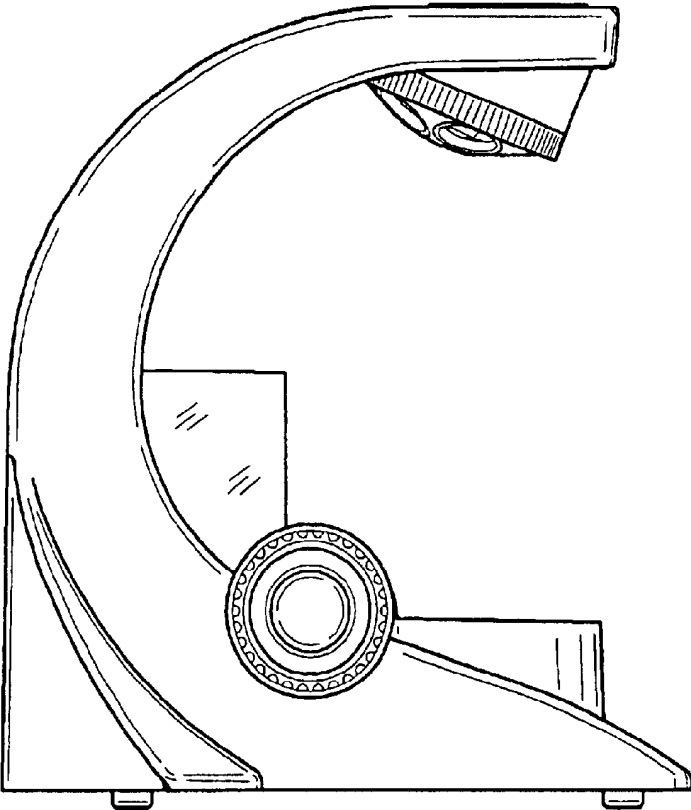


Fig. 4

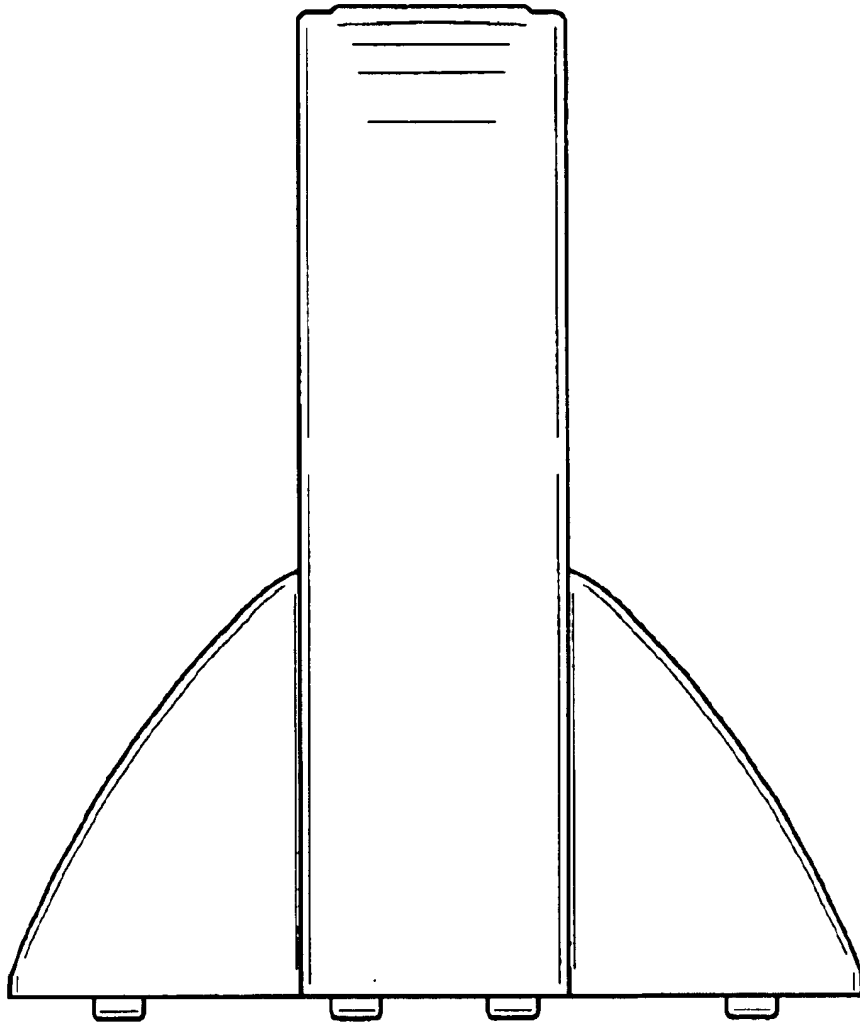


Fig. 5

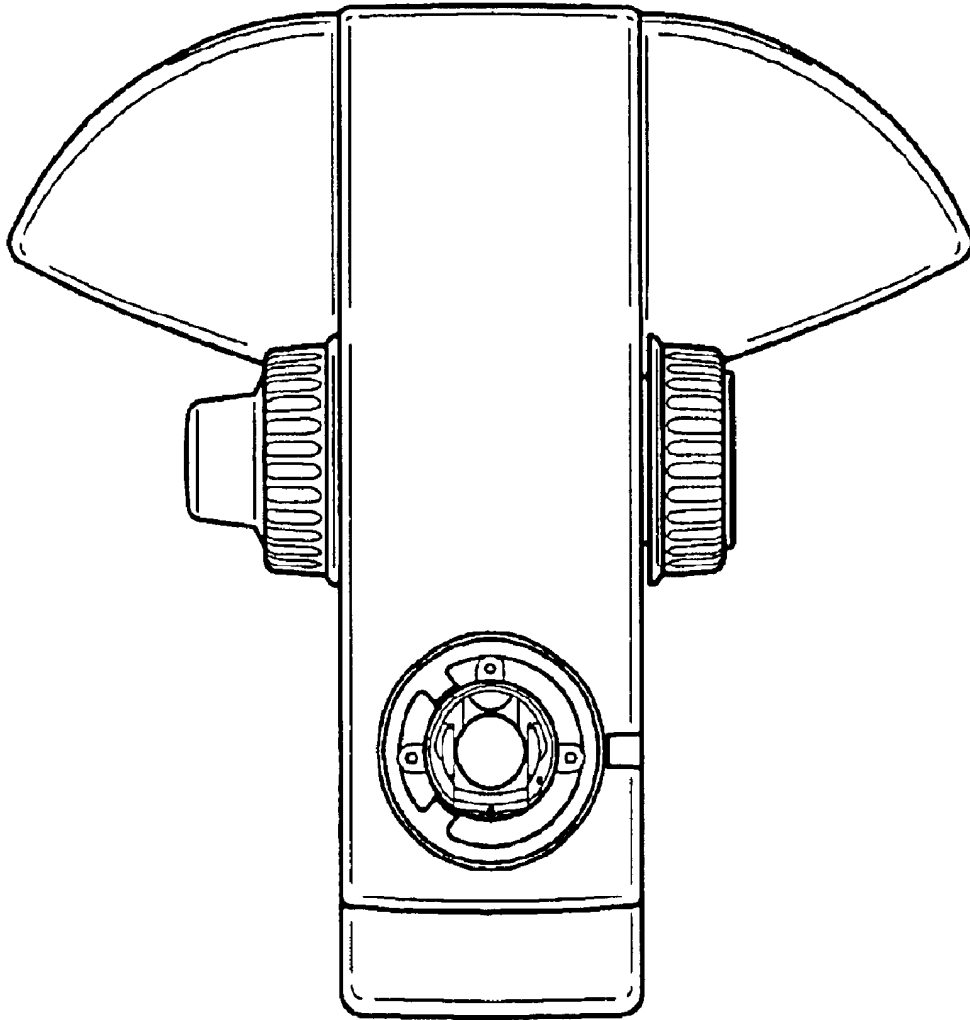


Fig. 6

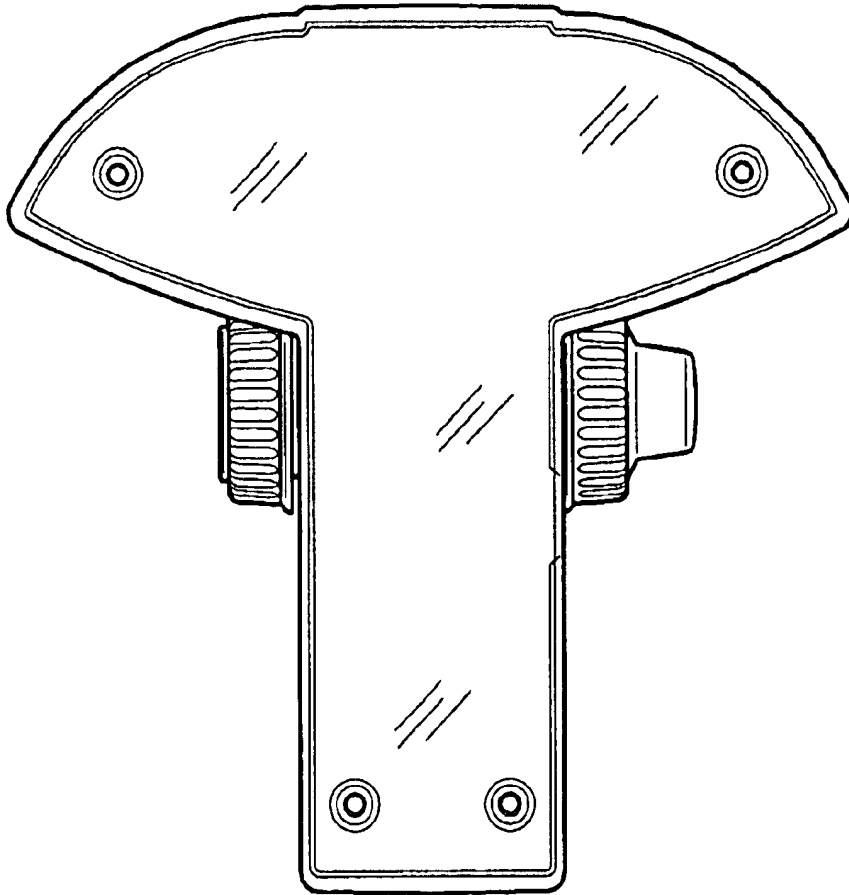


Fig. 7