



US00D511786S

(12) **United States Design Patent** (10) **Patent No.:** **US D511,786 S**  
**Apotheloz et al.** (45) **Date of Patent:** **\*\* Nov. 22, 2005**

(54) **MICROSCOPE TUBE**  
 (75) Inventors: **Christophe Apotheloz**, Laegemstrasse (CH); **Manfred Gilbert**, Schoeffengrund (GB); **Russell Bonaventura**, Williamsville, NY (US)

6,479,807 B1 \* 11/2002 Toshimitsu ..... 250/201.3  
 6,512,632 B2 \* 1/2003 Yamamoto ..... 359/383  
 D502,194 S \* 2/2005 Suzuki et al. .... D16/131

\* cited by examiner

*Primary Examiner*—Paula A. Greene  
 (74) *Attorney, Agent, or Firm*—Simpson & Simpson, PLLC

(73) Assignee: **Leica Microsystems Wetzlar GmbH**, Wetzlar (DE)

(57) **CLAIM**

(\*\*) Term: **14 Years**

The ornamental design for microscope tube, as shown and described.

(21) Appl. No.: **29/212,873**

**DESCRIPTION**

(22) Filed: **Sep. 9, 2004**

(30) **Foreign Application Priority Data**

Mar. 13, 2004 (GB) ..... 4 04 01 682

A generally triangular shaped interface mounted between a microscope stand and eye tubes of a microscope.

(51) **LOC (8) Cl.** ..... **16-06**

FIG. 1 is a frontal perspective view of the microscope tube of the present invention;

(52) **U.S. Cl.** ..... **D16/131**

FIG. 2 is a top view of the microscope tube of the present invention;

(58) **Field of Search** ..... D16/130, 131,  
 D16/134; 359/381, 382, 383, 384, 385,  
 388, 375, 376, 377, 379, 378, 390, 392,  
 393; 250/201.3

FIG. 3 is a bottom view of the microscope tube of the present invention;

(56) **References Cited**

**U.S. PATENT DOCUMENTS**

3,064,529 A \* 11/1962 Straat ..... 359/384  
 D273,592 S \* 4/1984 Armbruster ..... D16/131  
 D355,430 S \* 2/1995 Hofmann-Igl ..... D16/131  
 D400,548 S \* 11/1998 Komatsuzaki ..... D16/131  
 D417,880 S \* 12/1999 Wani et al. .... D16/131  
 D420,028 S \* 2/2000 Wani et al. .... D16/131  
 D439,258 S \* 3/2001 Kawahata ..... D16/131  
 D440,996 S \* 4/2001 Takanashi ..... D16/131

FIG. 4 is a left side elevational view of the microscope tube of the present invention;

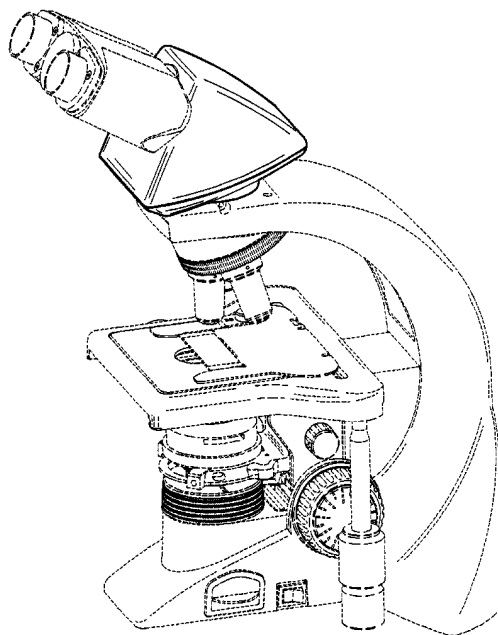
FIG. 5 is a right side elevational view of the microscope tube of present invention;

FIG. 6 is a front elevational view of the microscope tube of the present invention;

FIG. 7 is a rear elevational view of the microscope tube of the present invention; and,

FIG. 8 is a side perspective view of a microscope illustrated with broken lines with the microscope tube of the present invention.

**1 Claim, 8 Drawing Sheets**



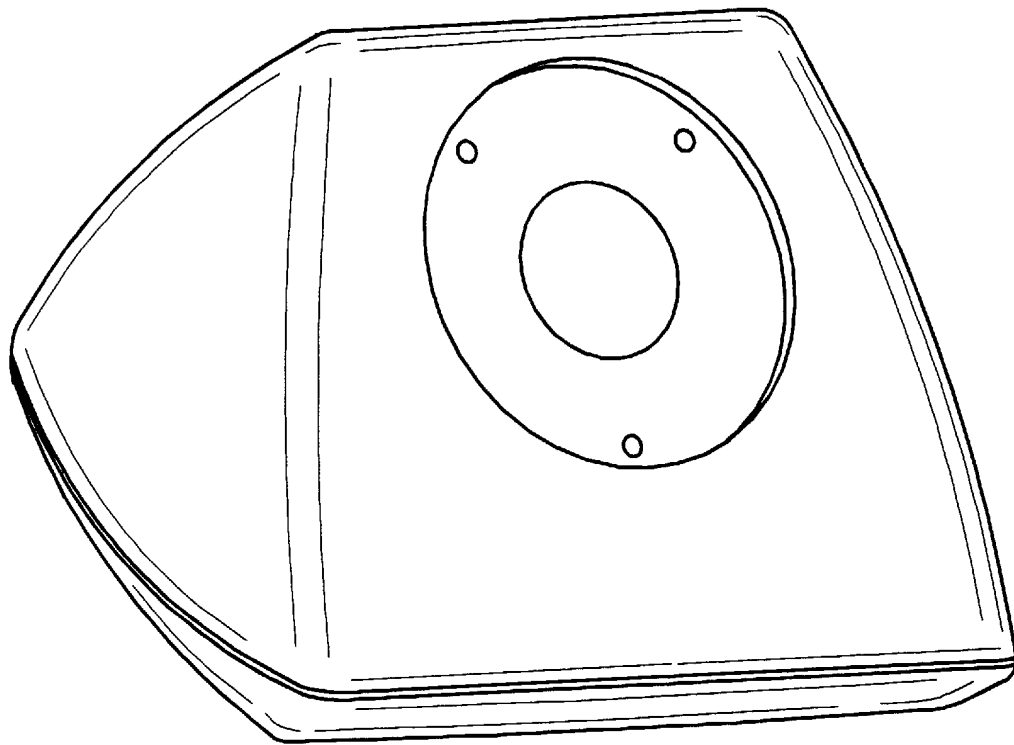


Fig. 1

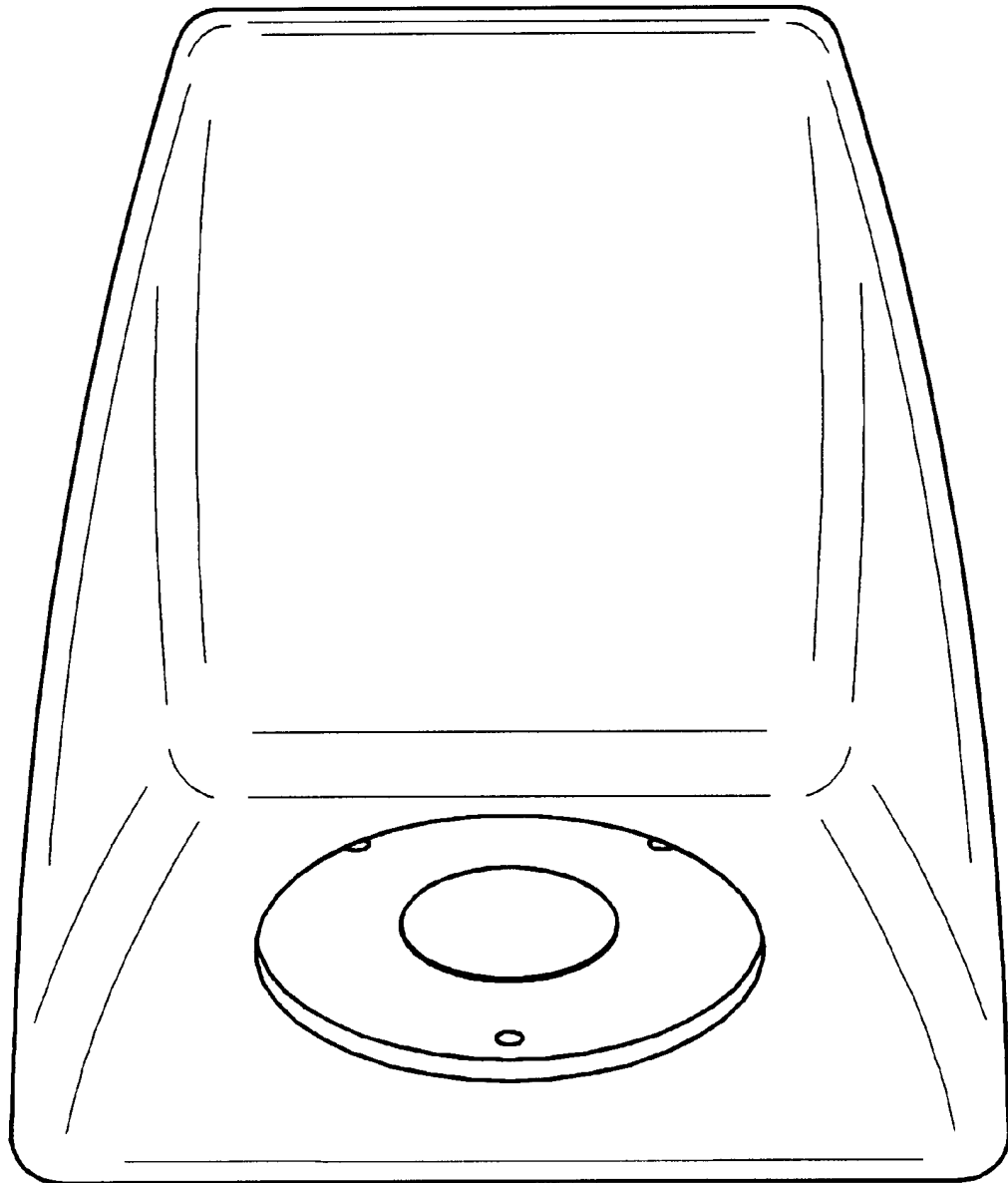


Fig. 2

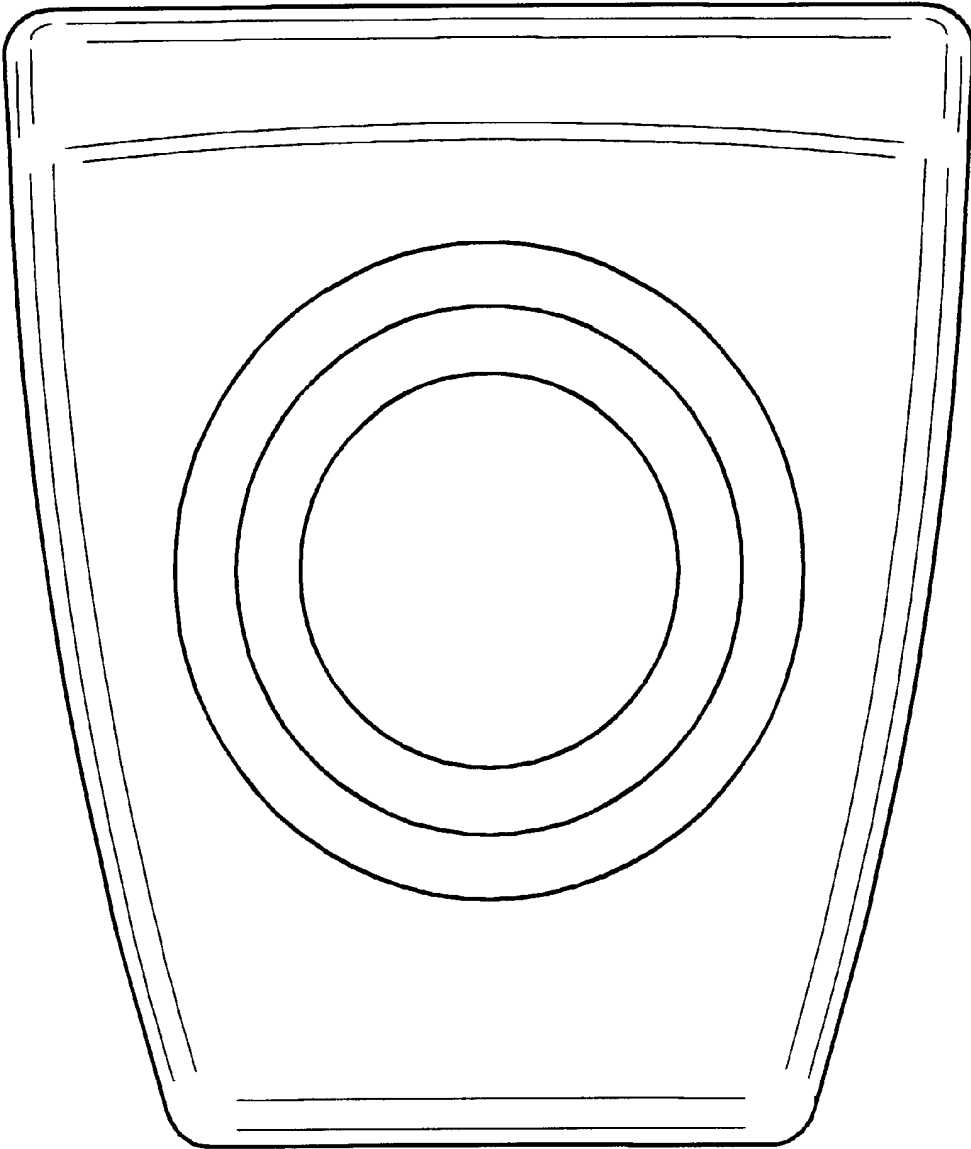


Fig. 3

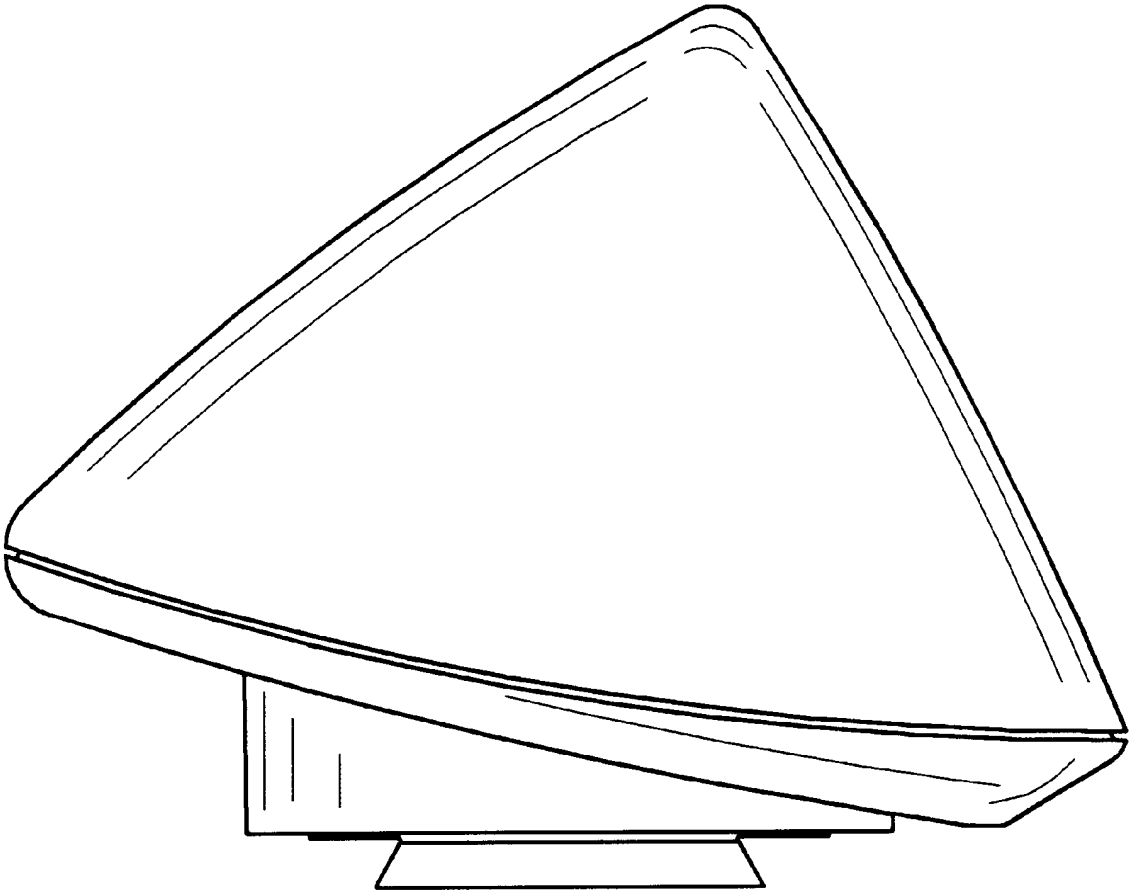


Fig. 4

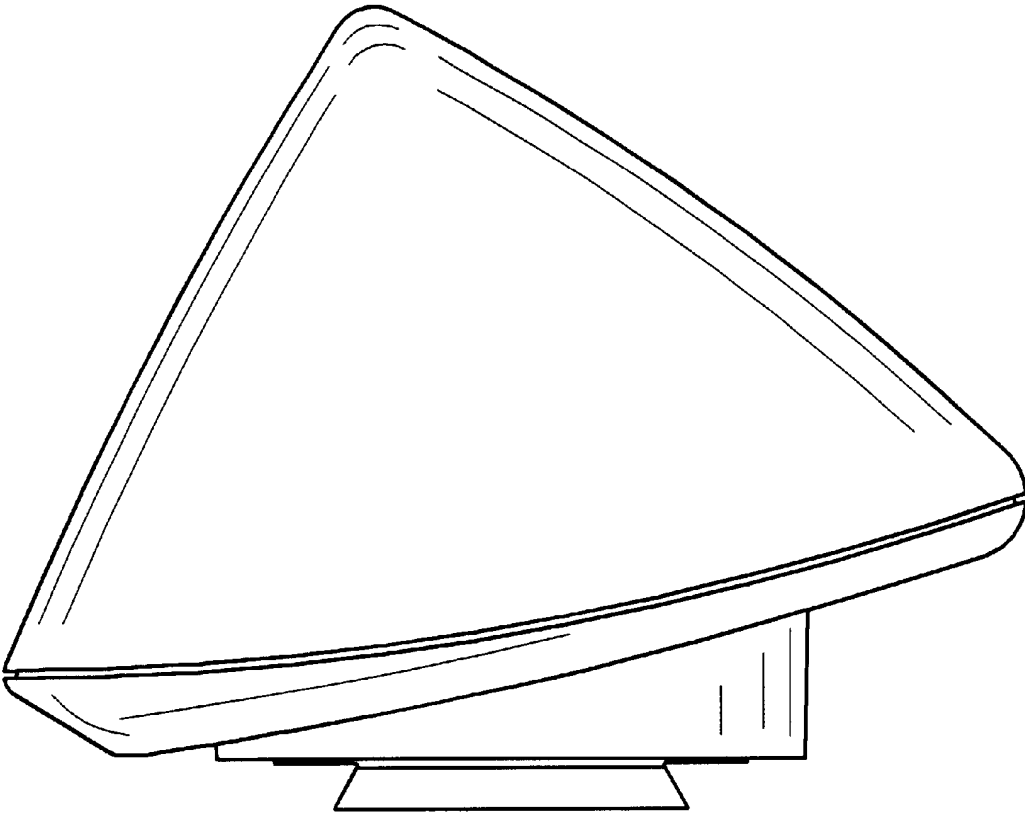


Fig. 5

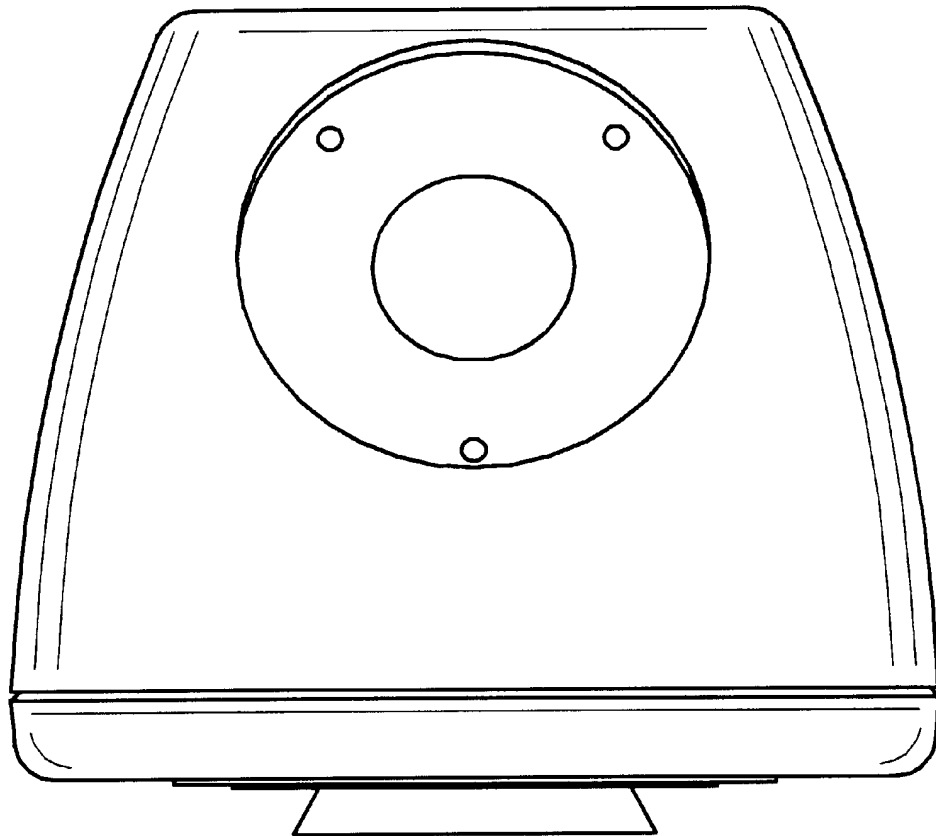


Fig. 6

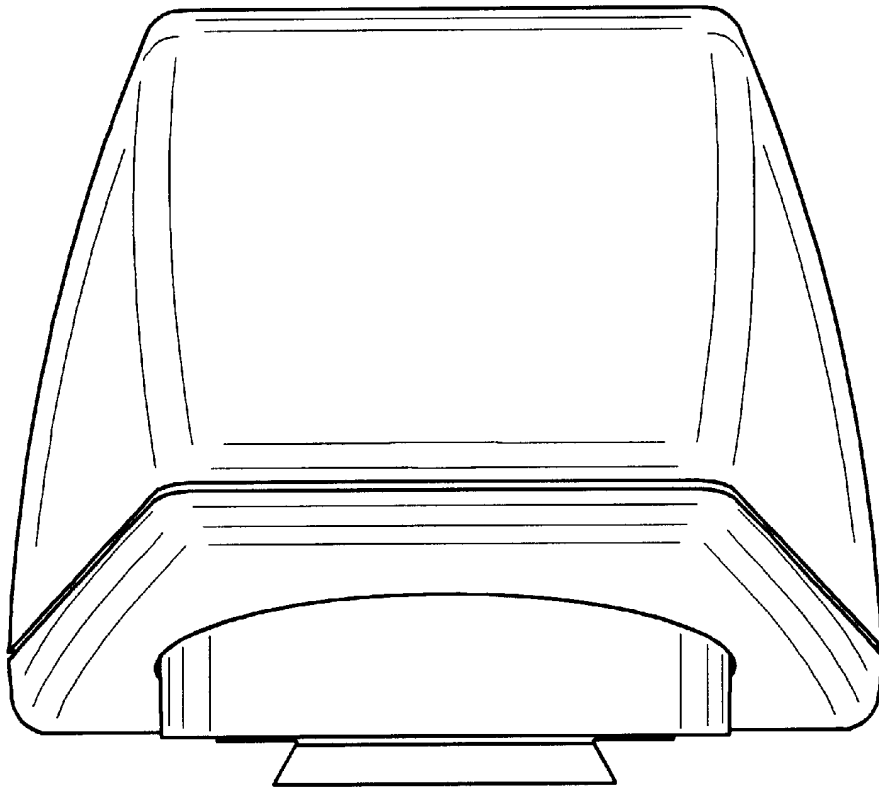


Fig. 7



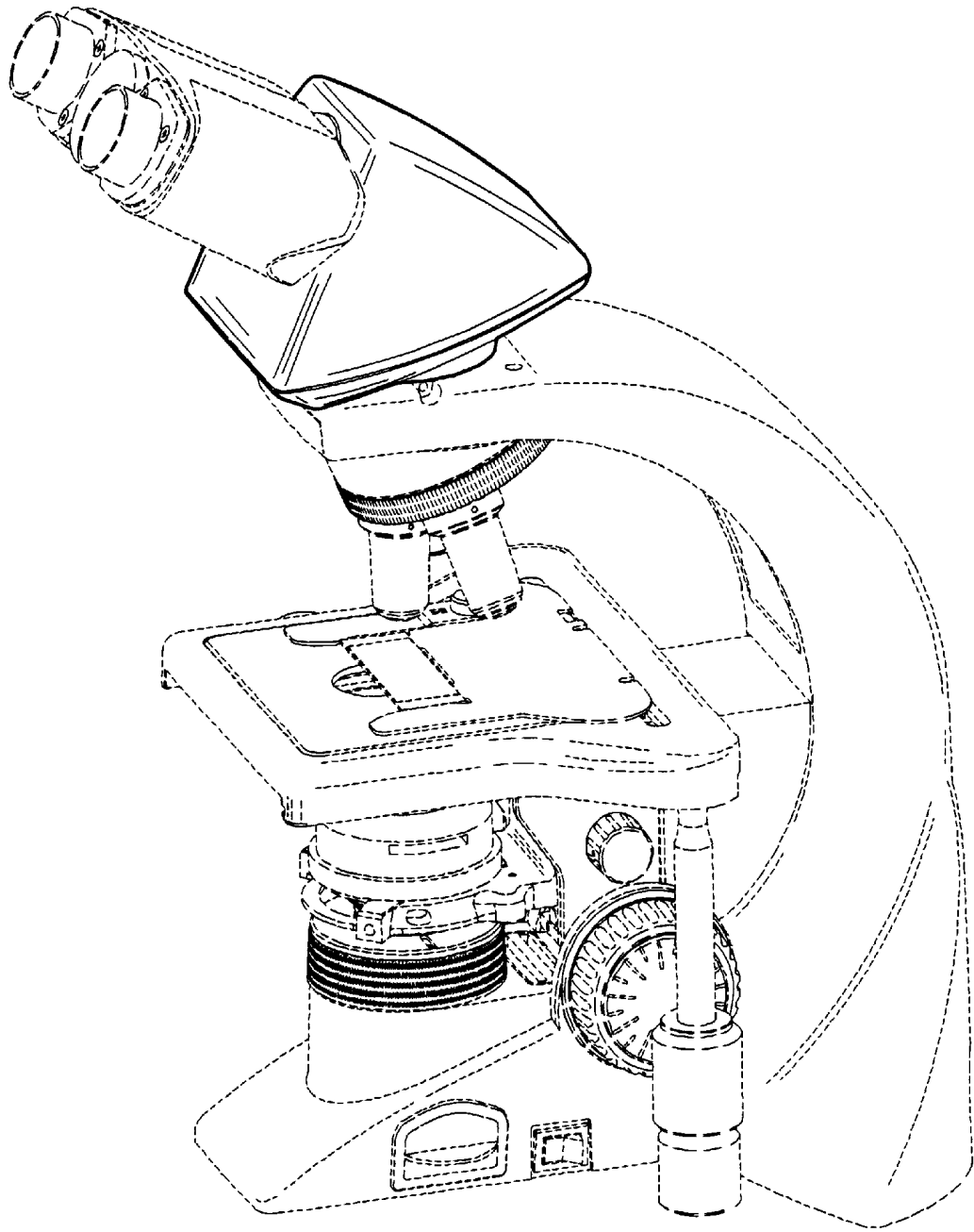


Fig. 8