



US00D515349S

(12) **United States Design Patent** (10) **Patent No.:** **US D515,349 S**
Gillisie (45) **Date of Patent:** **** Feb. 21, 2006**

- (54) **STEAM KETTLE**
- (75) Inventor: **Nicholas Brian Gillisie**, Toronto (CA)
- (73) Assignee: **Umbra, Inc.**, Buffalo, NY (US)
- (**) Term: **14 Years**
- (21) Appl. No.: **29/220,420**
- (22) Filed: **Dec. 30, 2004**
- (51) **LOC (8) Cl.** **07-01**
- (52) **U.S. Cl.** **D7/319; D7/317; D7/536; D7/322**
- (58) **Field of Classification Search** **D7/507, D7/523, 533, 536, 316-319, 320, 321, 300, D7/700, 600, 598, 622, 322; D9/527; D10/46.2, D10/46.3; 428/35.8; 141/331, 335; 215/12.2, 215/398, 6, 396; 222/188, 465.1, 144.5, 475.1; 220/23.4, 374, 713; 116/67 R, 137 R, 70; 206/423, 217; 99/299, 306, 322, 279**
See application file for complete search history.

(56) **References Cited**

U.S. PATENT DOCUMENTS

1,657,664 A	1/1928	Dexter	
D113,154 S	* 1/1939	Wellman D7/523
D177,378 S	4/1956	Hvale	
D178,610 S	8/1956	McIntosh	
D179,135 S	11/1956	Graham	
2,835,188 A	5/1958	Graham	
D205,781 S	9/1966	Valle et al.	
D224,034 S	* 6/1972	Douglas D7/318
D229,917 S	1/1974	Sweet	
D259,613 S	6/1981	Sun	
D277,535 S	* 2/1985	Langer et al. D7/536
4,651,900 A	3/1987	Horvath et al.	
4,813,368 A	3/1989	Hutter, III et al.	
4,858,787 A	8/1989	Stone	
5,215,794 A	6/1993	Johnson	

5,217,141 A	* 6/1993	Ross 220/713
5,353,926 A	* 10/1994	Yeh 206/217
D376,073 S	* 12/1996	Griffin et al. D7/622
D378,264 S	* 3/1997	Lage et al. D7/536
D379,898 S	6/1997	Ancona et al.	
D417,814 S	12/1999	Huang	
D420,870 S	* 2/2000	DeCoster D7/700
6,035,907 A	* 3/2000	DeCoster 141/331
D444,337 S	7/2001	Ryan et al.	
D452,408 S	* 12/2001	Liu D7/319
D461,683 S	* 8/2002	Bodum D7/507
2003/0052139 A1	3/2003	Boyte et al.	

* cited by examiner

Primary Examiner—M. N. Pandozzi
(74) *Attorney, Agent, or Firm*—Simpson & Simpson, PLLC

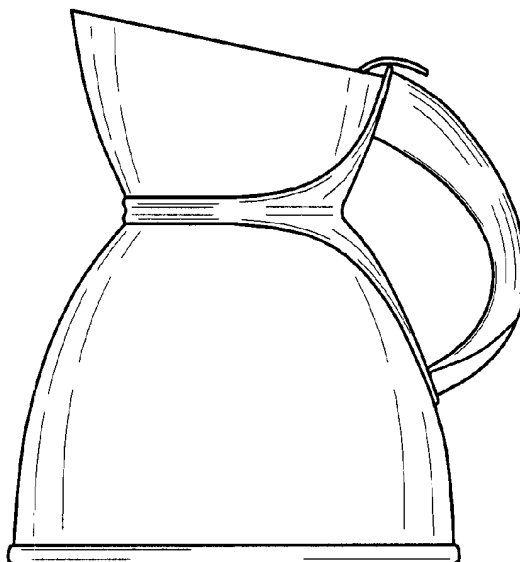
(57) **CLAIM**

The ornamental design for a steam kettle, as shown and described.

DESCRIPTION

FIG. 1 is a perspective view of the steam kettle of the invention;
 FIG. 2 is a side elevational view of the steam kettle with handle on the right;
 FIG. 3 is a side elevational view of the steam kettle with handle on the left;
 FIG. 4 is a top plan view of the steam kettle of the invention;
 FIG. 5 is a bottom plan view of the steam kettle with centrally positioned generally triangularly shaped indentation;
 FIG. 6 is a front elevational view of the steam kettle;
 FIG. 7 is a back elevational view of the steam kettle;
 FIG. 8 is a perspective view of the steam kettle having the top closure in an open position for filling; and,
 FIG. 9 is a perspective view of the steam kettle having the top closure in an open position for dispensing.

1 Claim, 5 Drawing Sheets



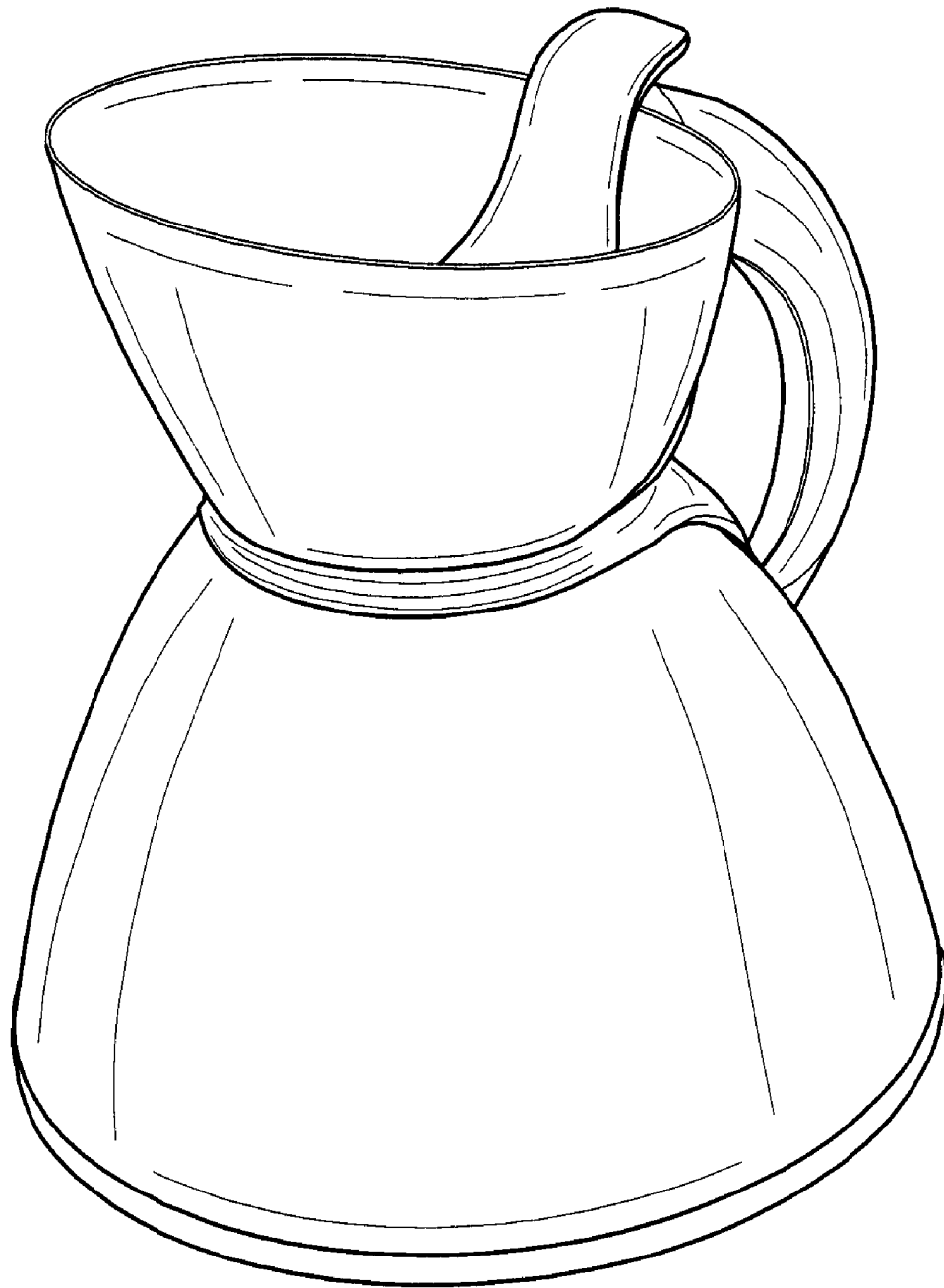


FIG. 1

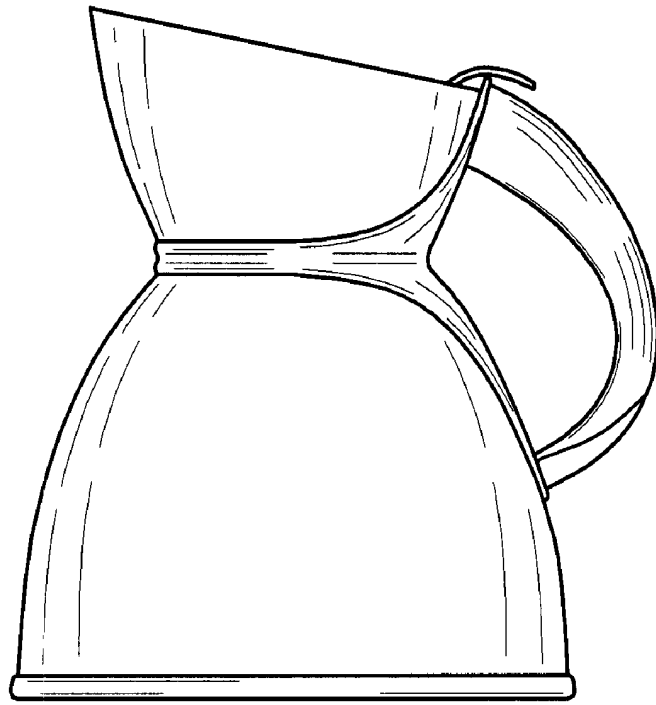


FIG. 2

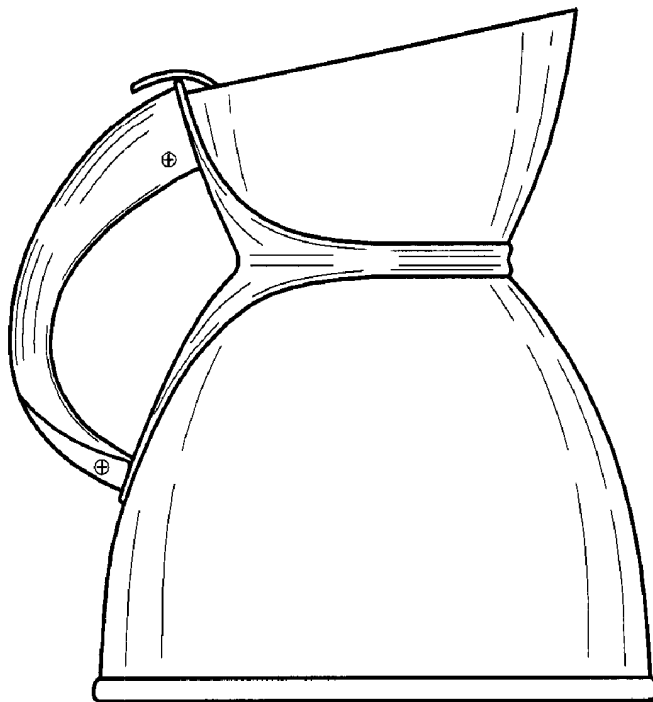


FIG. 3

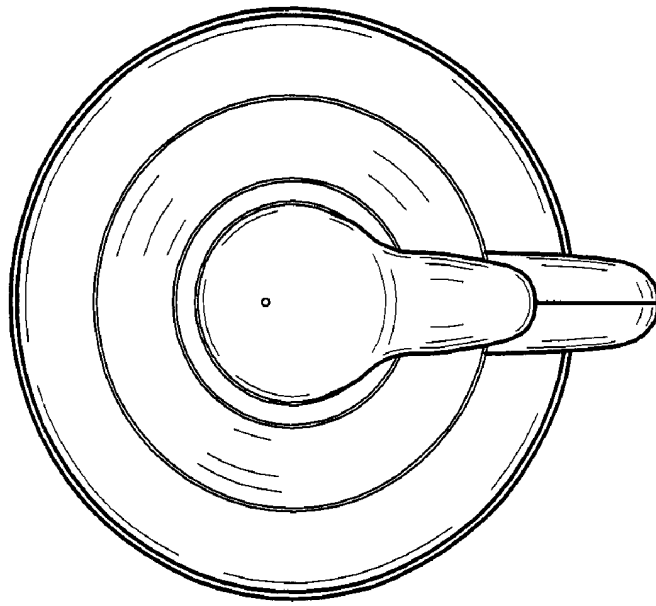


FIG. 4

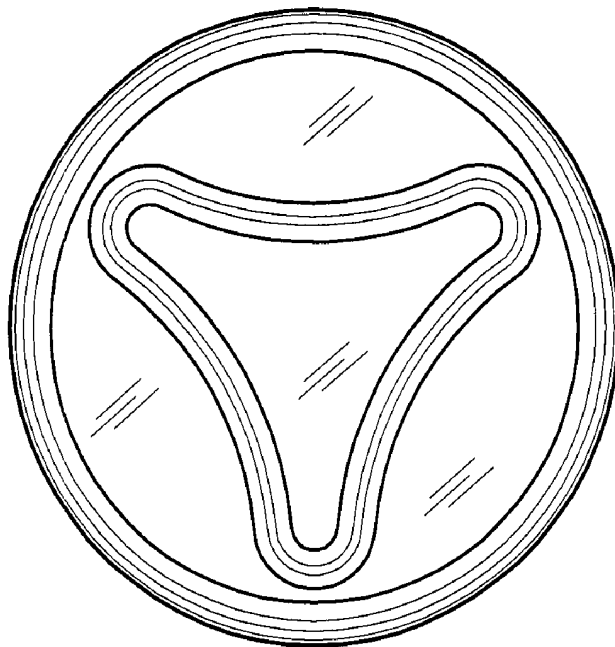


FIG. 5

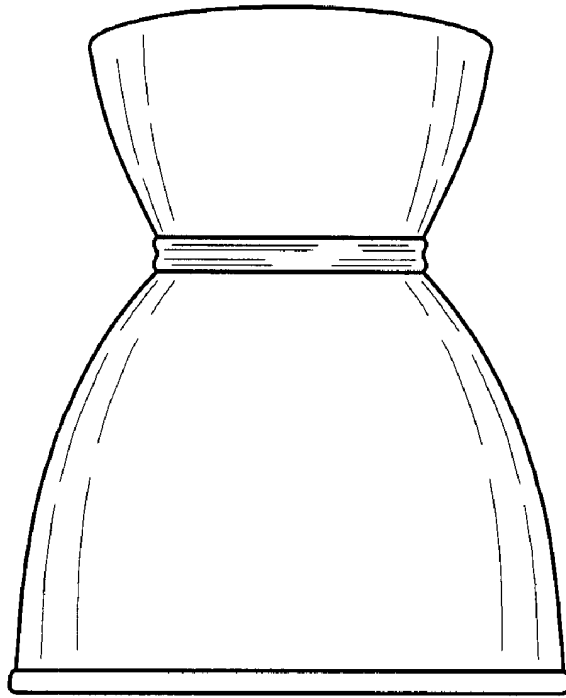


FIG. 6

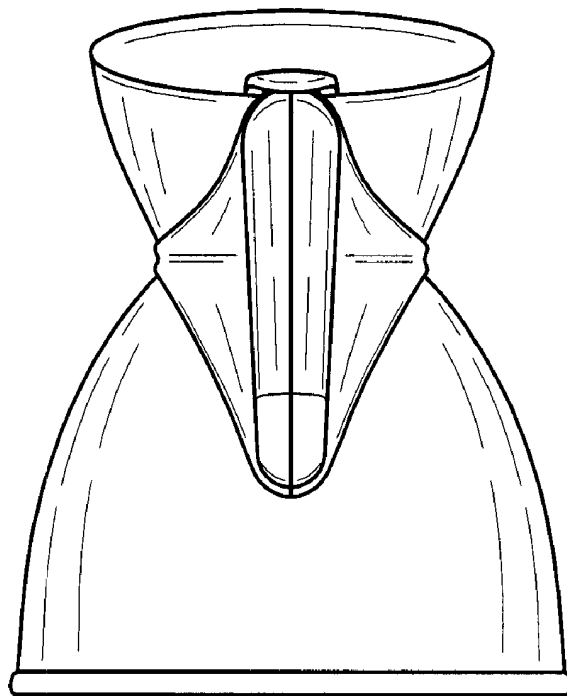


FIG. 7

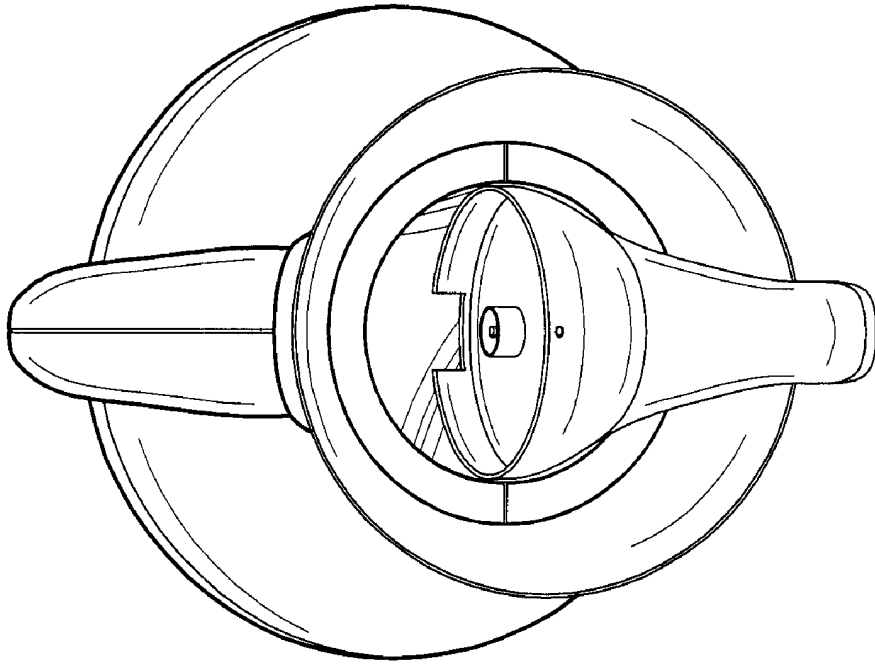


FIG. 8

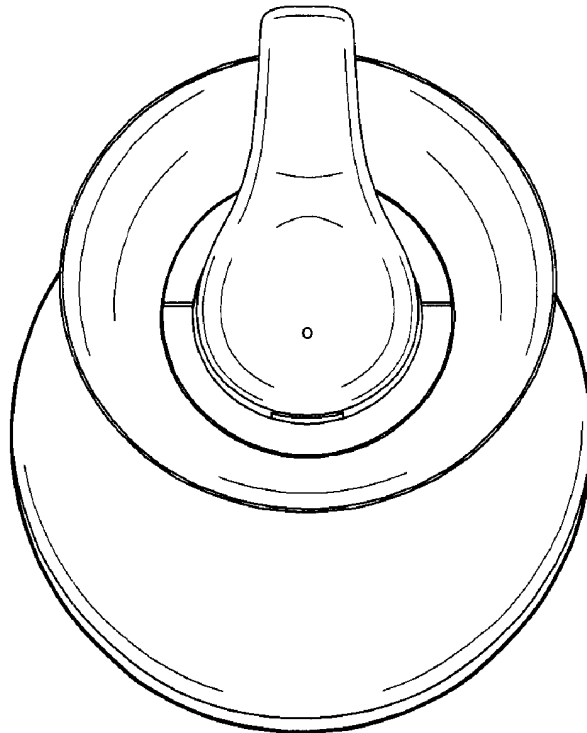


FIG. 9