



US00D516595S

(12) **United States Design Patent** (10) **Patent No.:** **US D516,595 S**
Apothéloz et al. (45) **Date of Patent:** **** Mar. 7, 2006**

(54) **MICROSCOPE STAND**
(75) Inventors: **Christophe Apothéloz**, Zurich (CH);
Jasna Roeth, Solms (DE); **Manfred Gilbert**, Schoeffengrund (DE)

(73) Assignee: **Leica Microsystems Wetzlar GmbH**
(DE)

(**) Term: **14 Years**

(21) Appl. No.: **29/217,821**

(22) Filed: **Nov. 22, 2004**

(30) **Foreign Application Priority Data**

Jun. 8, 2004 (DE) 4 04 03 423

(51) **LOC (8) Cl.** **16-06**

(52) **U.S. Cl.** **D16/131**

(58) **Field of Classification Search** D16/130,
D16/131; 359/368, 376, 383, 384, 385, 390,
359/393, 372

See application file for complete search history.

(56) **References Cited**

U.S. PATENT DOCUMENTS

D260,402 S * 8/1981 Hodgson D16/131
D276,351 S * 11/1984 Janke et al. D16/131
4,573,771 A * 3/1986 Hill 359/383

4,619,503 A * 10/1986 Reinheimer et al. 359/372
D291,702 S * 9/1987 Kahute D16/131
D345,748 S * 4/1994 Holbl D16/131
D389,163 S * 1/1998 Hofmann-Igl D16/131
D425,921 S * 5/2000 Holbl et al. D16/131
D429,265 S * 8/2000 Holbl et al. D16/131
D444,159 S * 6/2001 Hoelbl et al. D16/131

* cited by examiner

Primary Examiner—Paula A. Greene

(74) *Attorney, Agent, or Firm*—Simpson & Simpson, PLLC

(57) **CLAIM**

The ornamental design for microscope stand, as shown and described.

DESCRIPTION

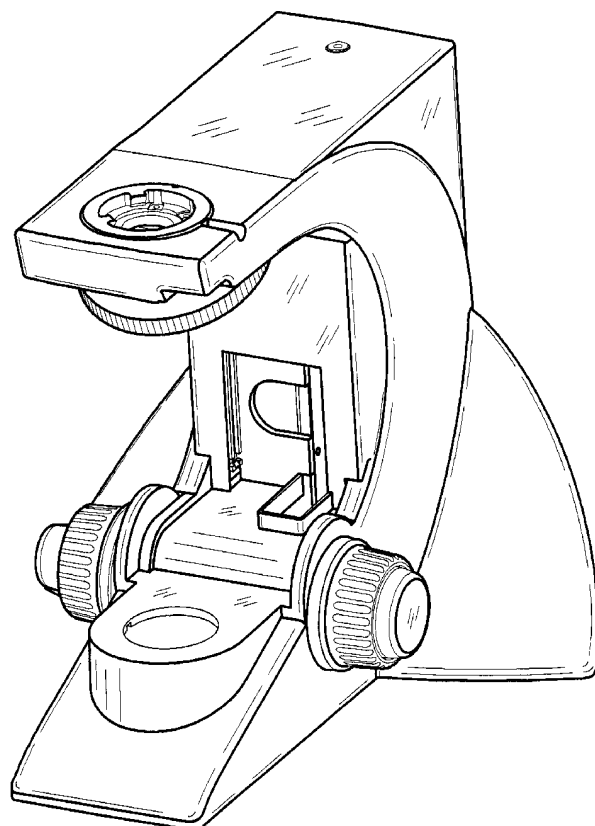
FIG. 1 is a perspective view of a microscope stand of the invention;

FIG. 2 is a front view of the microscope stand of FIG. 1; FIG. 3 is a right side view of the microscope stand of FIG. 1;

FIG. 4 is a left side view of the microscope stand of FIG. 1; FIG. 5 is a top view of the microscope stand of FIG. 1; FIG. 6 is a bottom view of the microscope stand of FIG. 1; and,

FIG. 7 is a rear view of the microscope stand of FIG. 1.

1 Claim, 7 Drawing Sheets



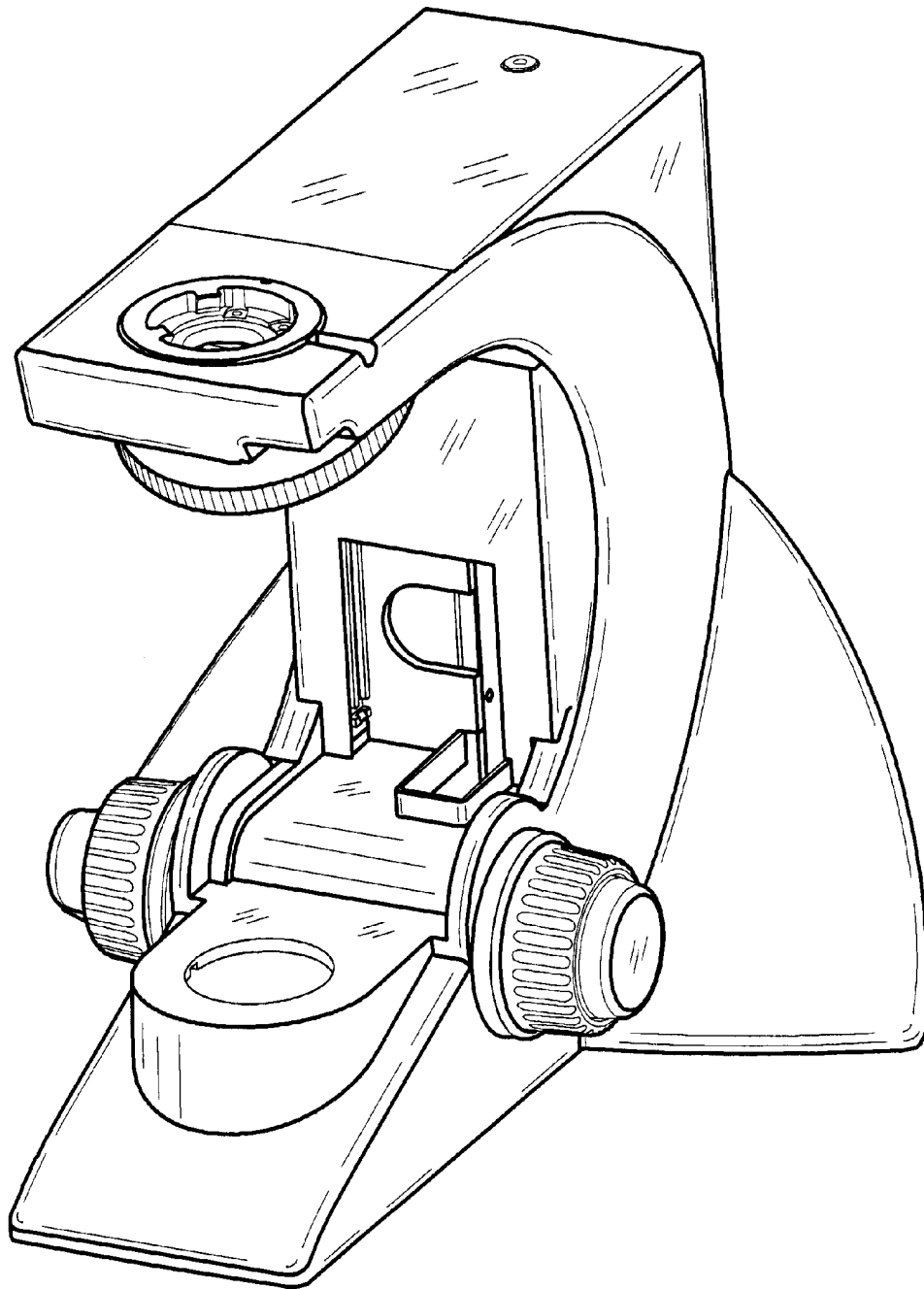


Figure 1

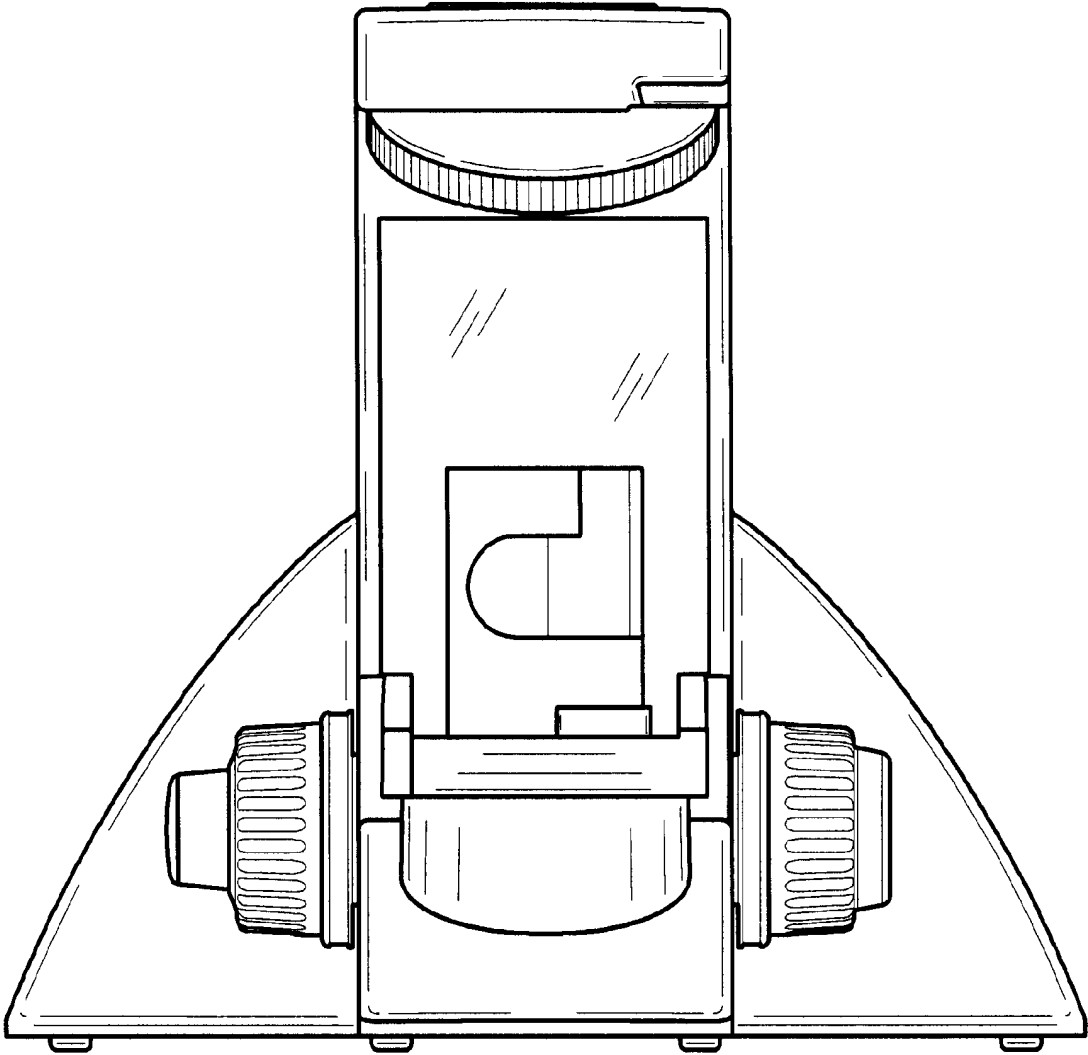


Figure 2

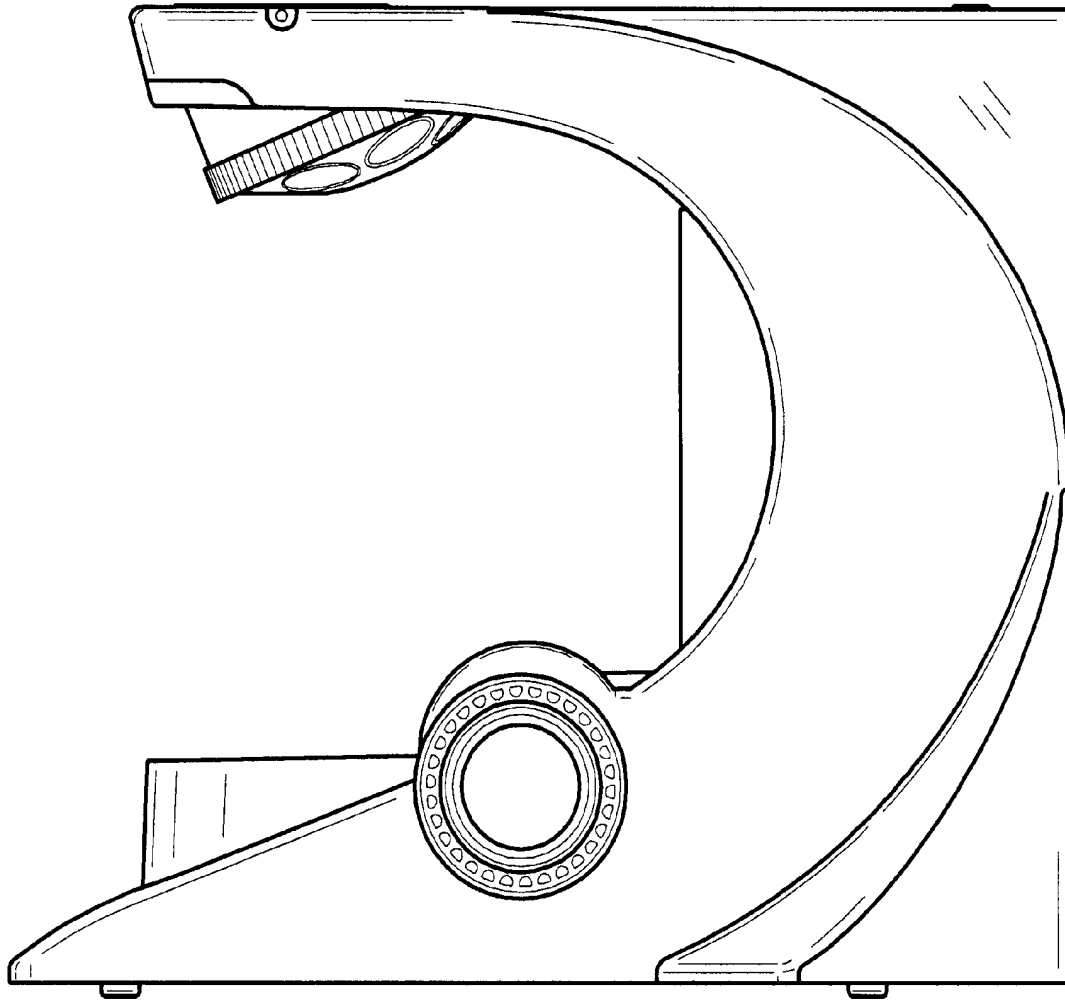


Figure 3

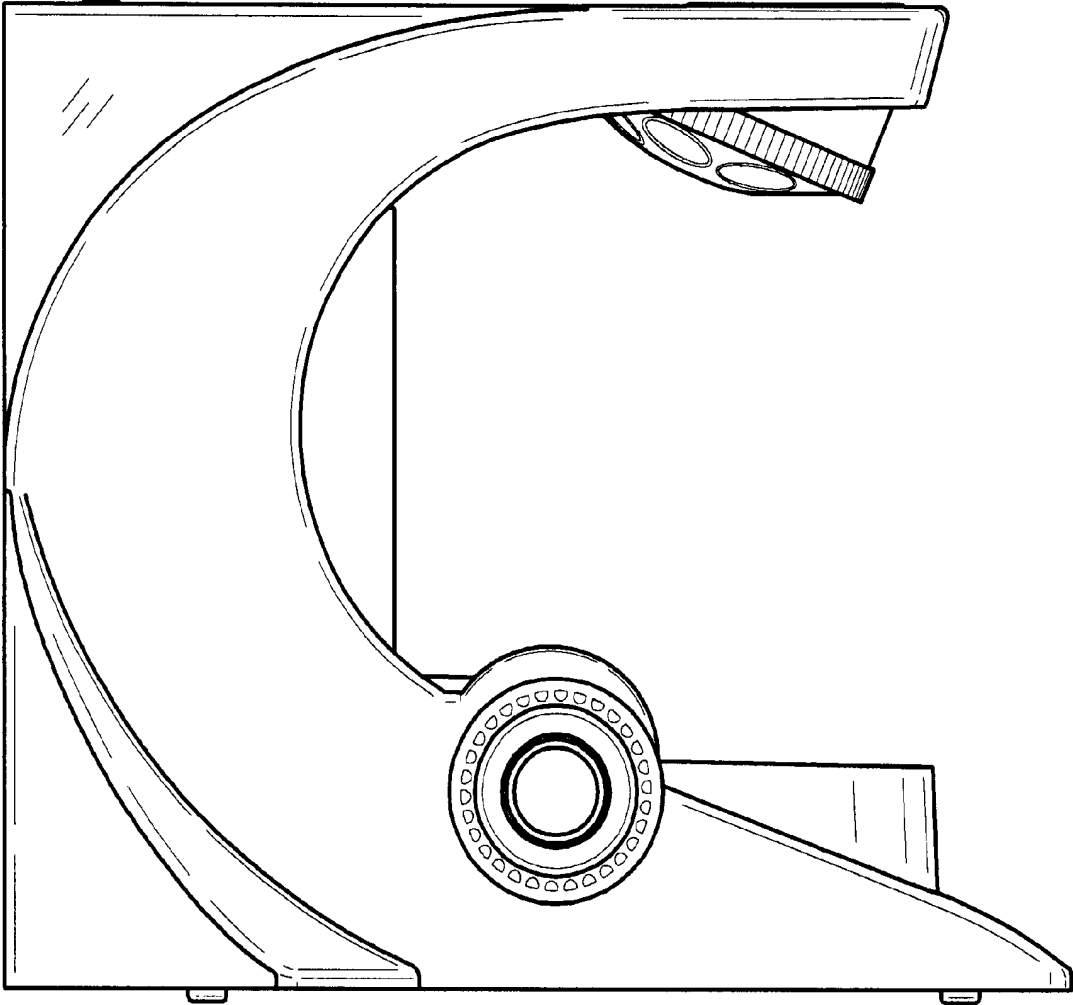


Figure 4

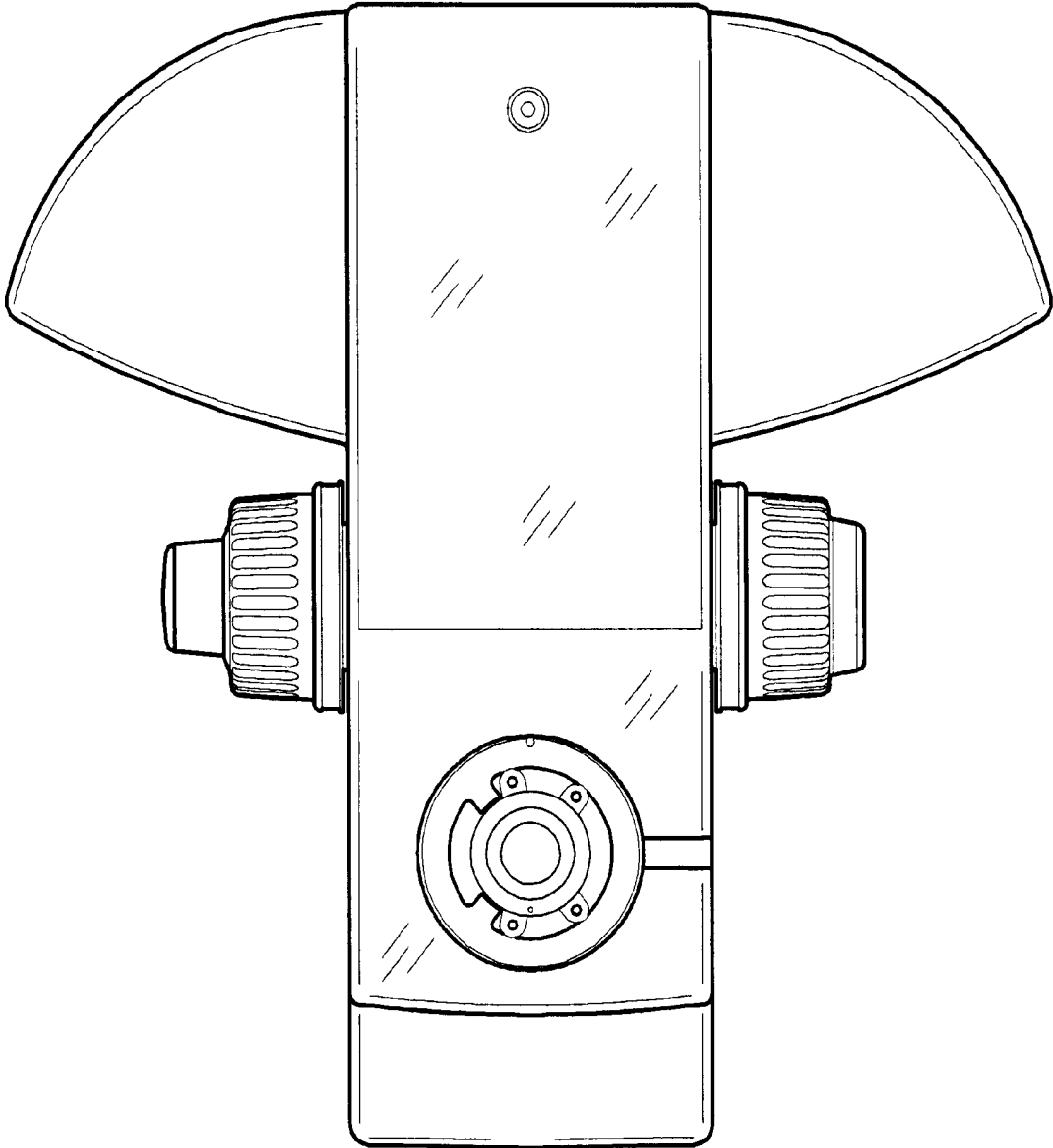


Figure 5

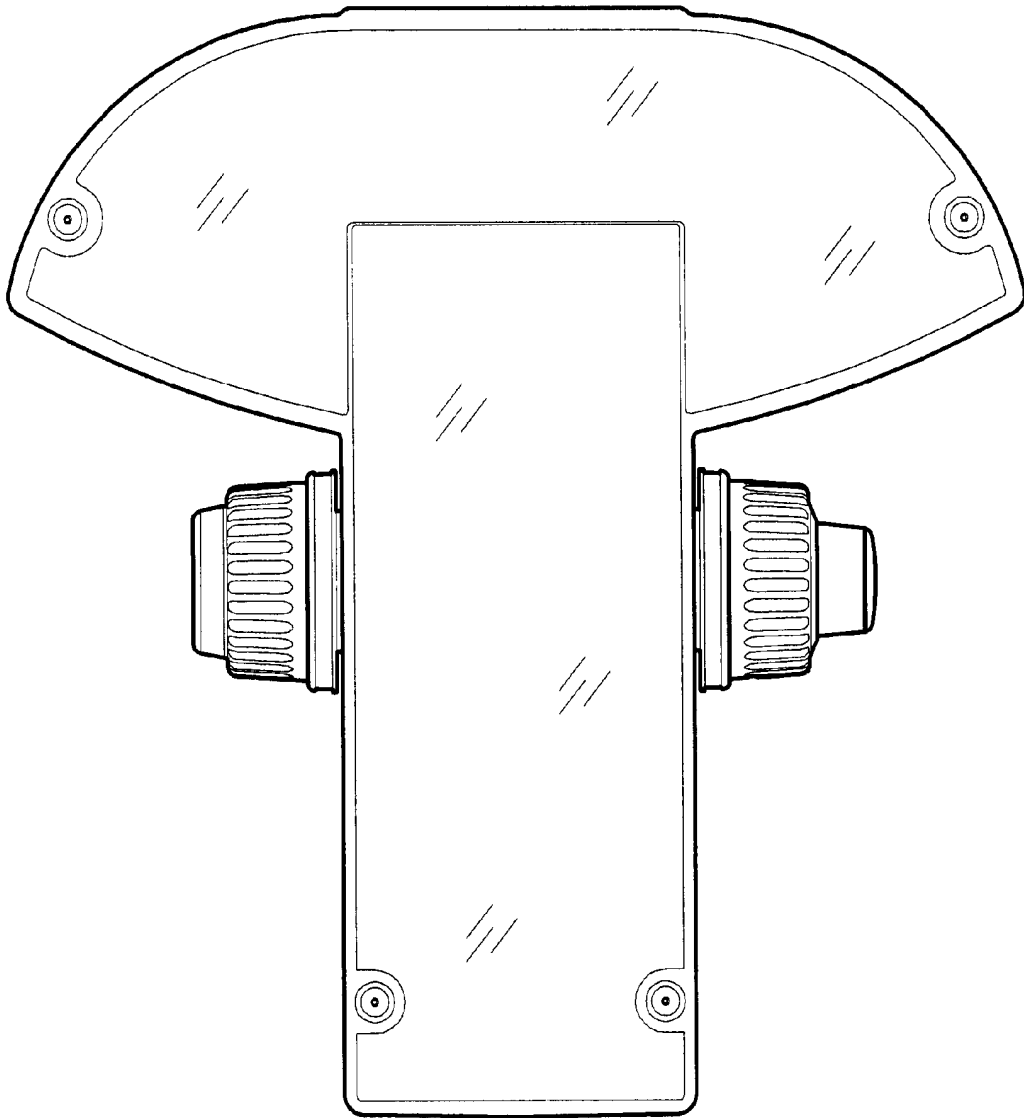


Figure 6

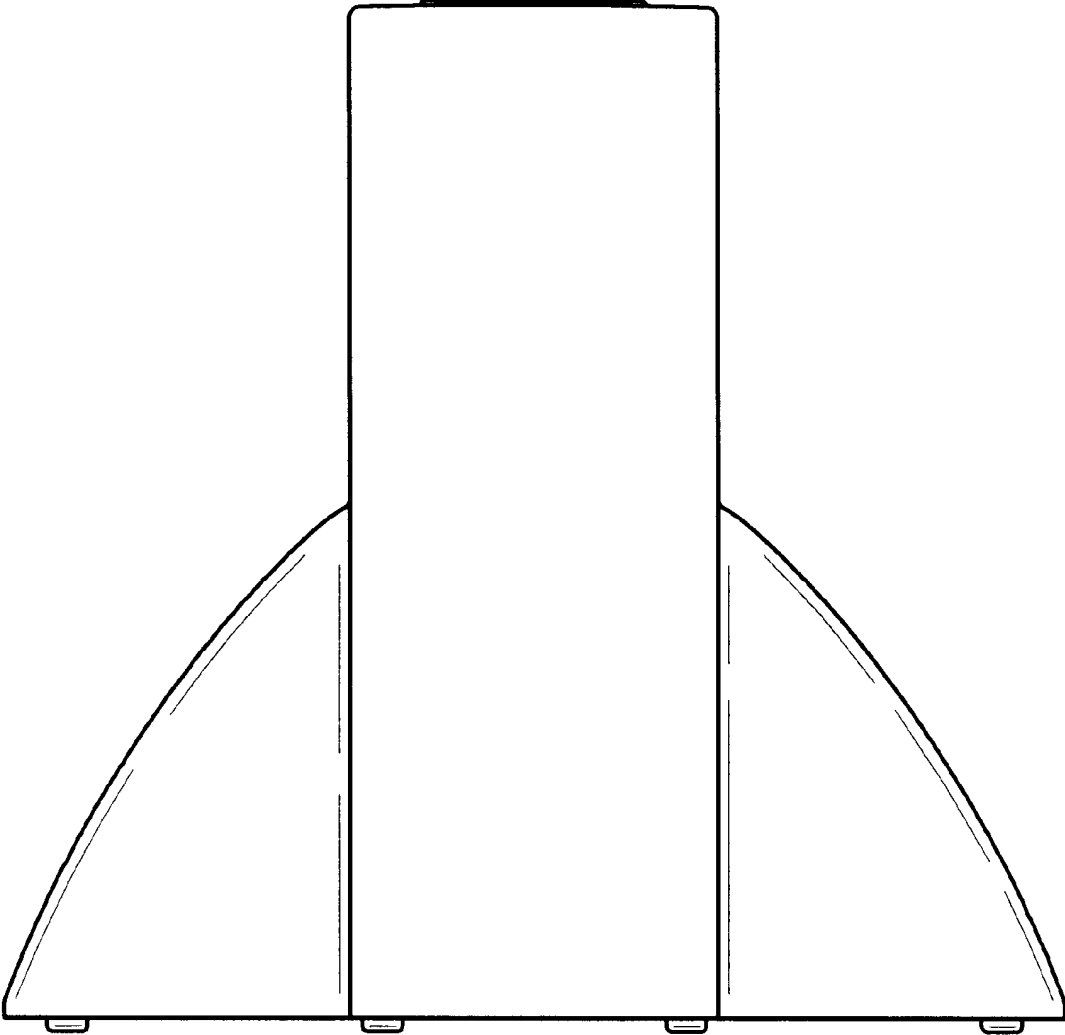


Figure 7