



US00D518841S

(12) **United States Design Patent** (10) **Patent No.:** **US D518,841 S**  
**Apothéloz et al.** (45) **Date of Patent:** **\*\* Apr. 11, 2006**

(54) **MICROSCOPE STAND**

(75) Inventors: **Christophe Apothéloz**, Zurich (CH);  
**Oliver Jagemann**, Goettingen (DE)

(73) Assignee: **Leica Microsystems Wetzler GmbH**  
(DE)

(\*\*) Term: **14 Years**

(21) Appl. No.: **29/218,412**

(22) Filed: **Dec. 2, 2004**

(30) **Foreign Application Priority Data**

Jul. 7, 2004 (DE) ..... 40403928

(51) **LOC (8) Cl.** ..... **16-06**

(52) **U.S. Cl.** ..... **D16/131**

(58) **Field of Classification Search** ..... D16/130,  
D16/131, 134; 359/368, 391, 393, 363, 388,  
359/381, 382, 383, 385, 390

See application file for complete search history.

(56) **References Cited**

**U.S. PATENT DOCUMENTS**

4,210,384 A \* 7/1980 Meyer et al. .... 359/363  
D260,402 S \* 8/1981 Hodgson ..... D16/131  
4,299,440 A \* 11/1981 Hodgson ..... 359/393

D276,351 S \* 11/1984 Janke et al. .... D16/131  
D290,129 S \* 6/1987 Kahute ..... D16/131  
D291,702 S \* 9/1987 Kahute ..... D16/131  
5,684,627 A \* 11/1997 Ganser et al. .... 359/388  
5,812,311 A \* 9/1998 Kragolnik ..... 359/393  
6,853,481 B1 \* 2/2005 Sukekawa ..... 359/368

\* cited by examiner

*Primary Examiner*—Paula A. Greene

(74) *Attorney, Agent, or Firm*—Simpson & Simpson, PLLC

(57) **CLAIM**

The ornamental design for microscope stand, as shown and described.

**DESCRIPTION**

FIG. 1 is a perspective view of a microscope stand of the invention;

FIG. 2 is a front view of the microscope stand of FIG. 1;

FIG. 3 is a right side view of the microscope stand of FIG. 1;

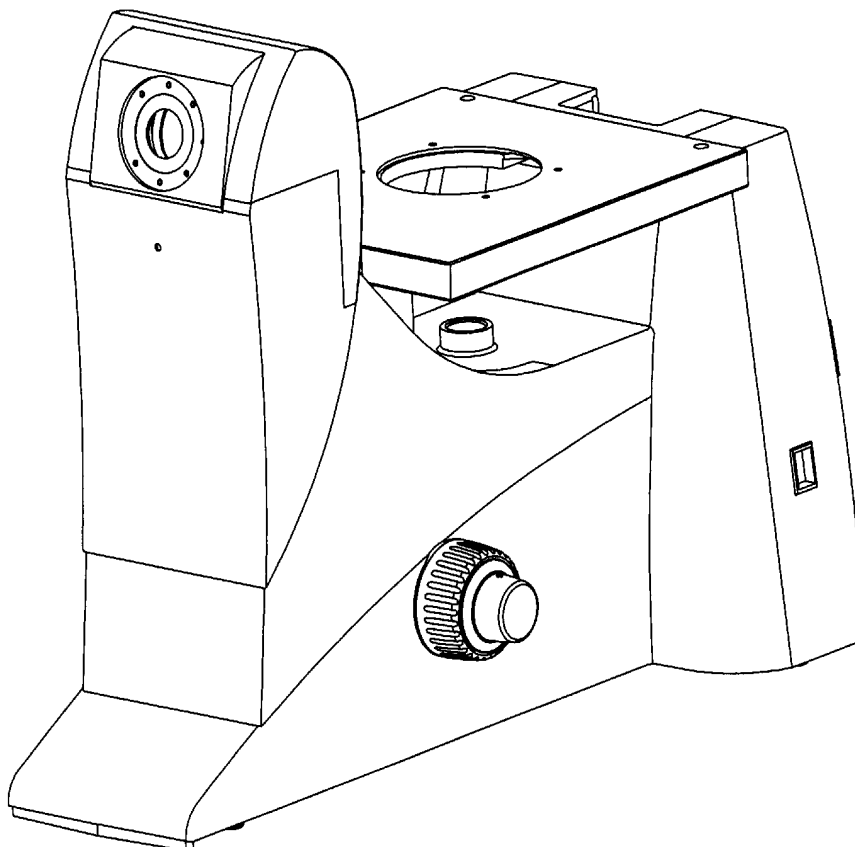
FIG. 4 is a left side view of the microscope stand of FIG. 1;

FIG. 5 is a top view of the microscope stand of FIG. 1;

FIG. 6 is a bottom view of the microscope stand of FIG. 1; and,

FIG. 7 is a rear view of the microscope stand of FIG. 1.

**1 Claim, 7 Drawing Sheets**



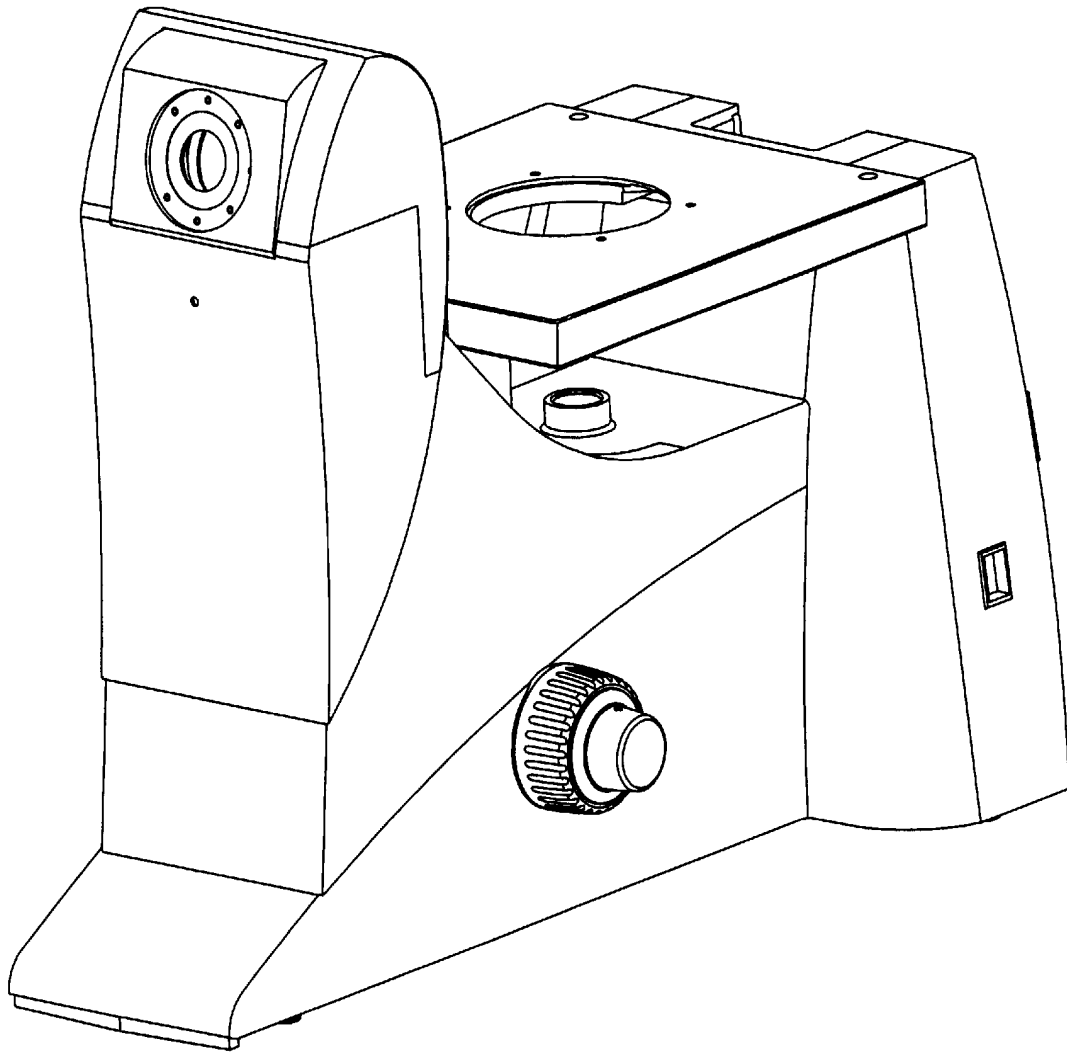
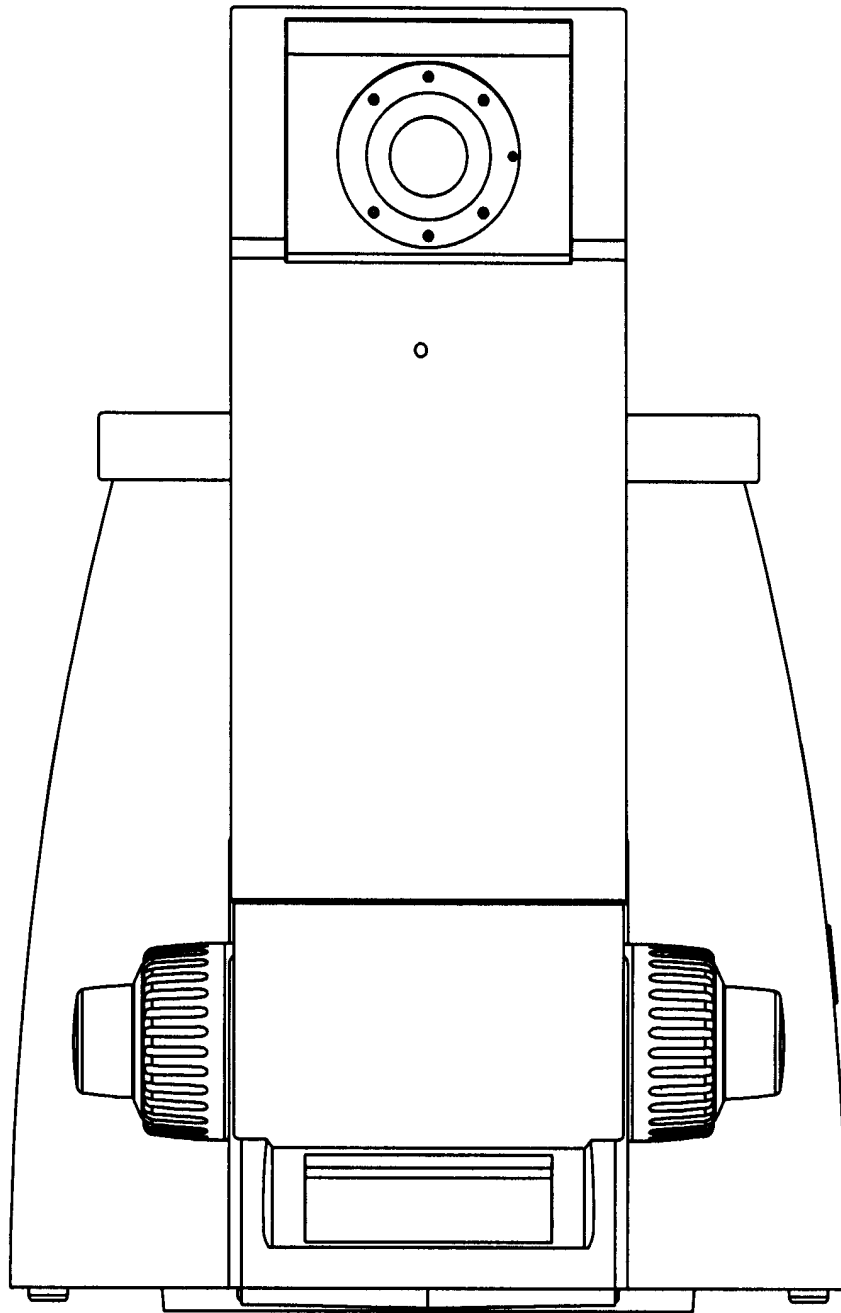


FIGURE 1



**FIGURE 2**

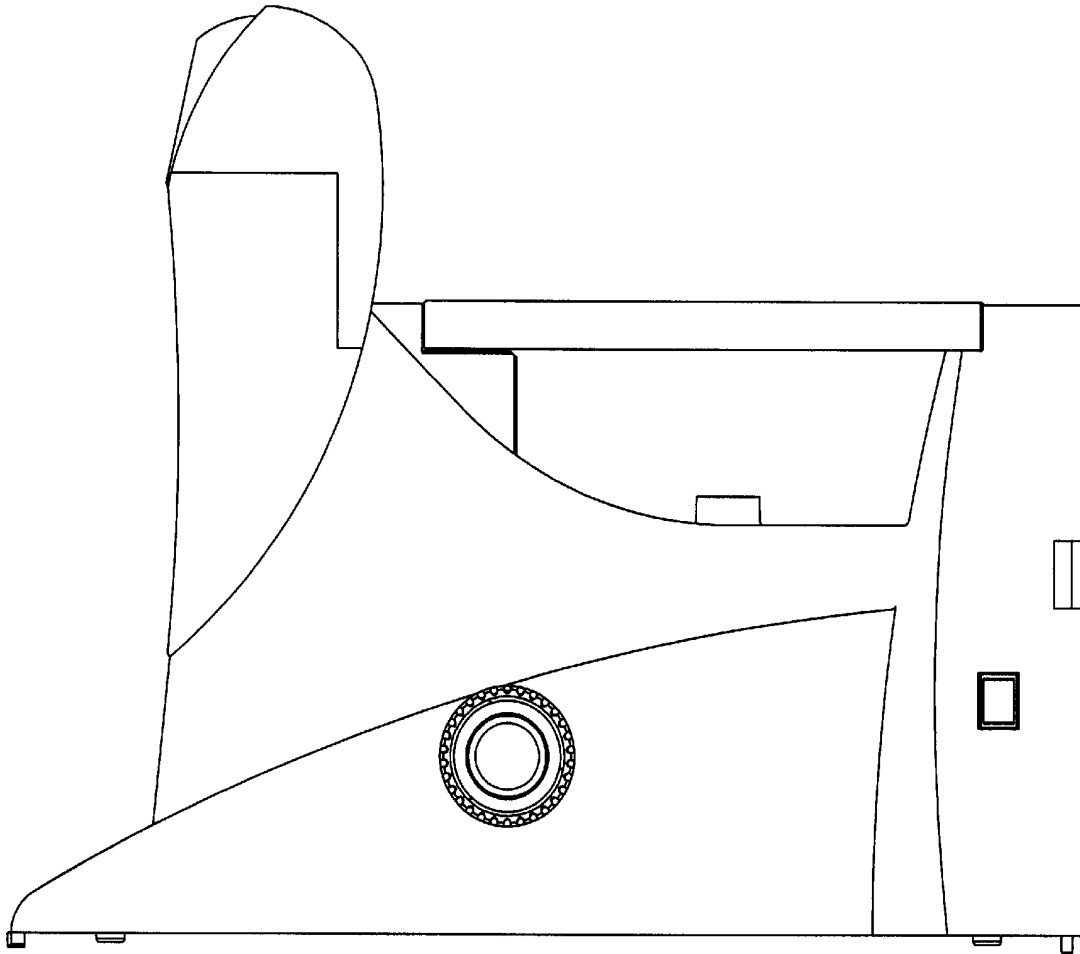


FIGURE 3

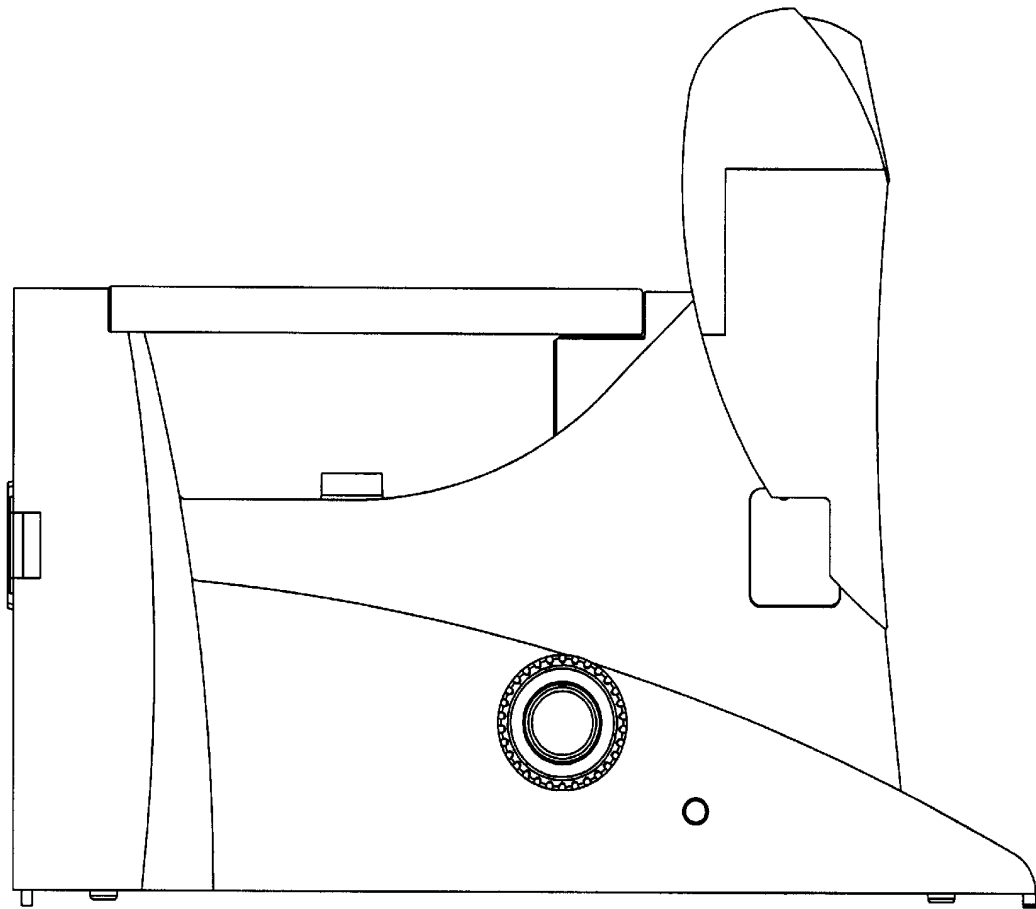
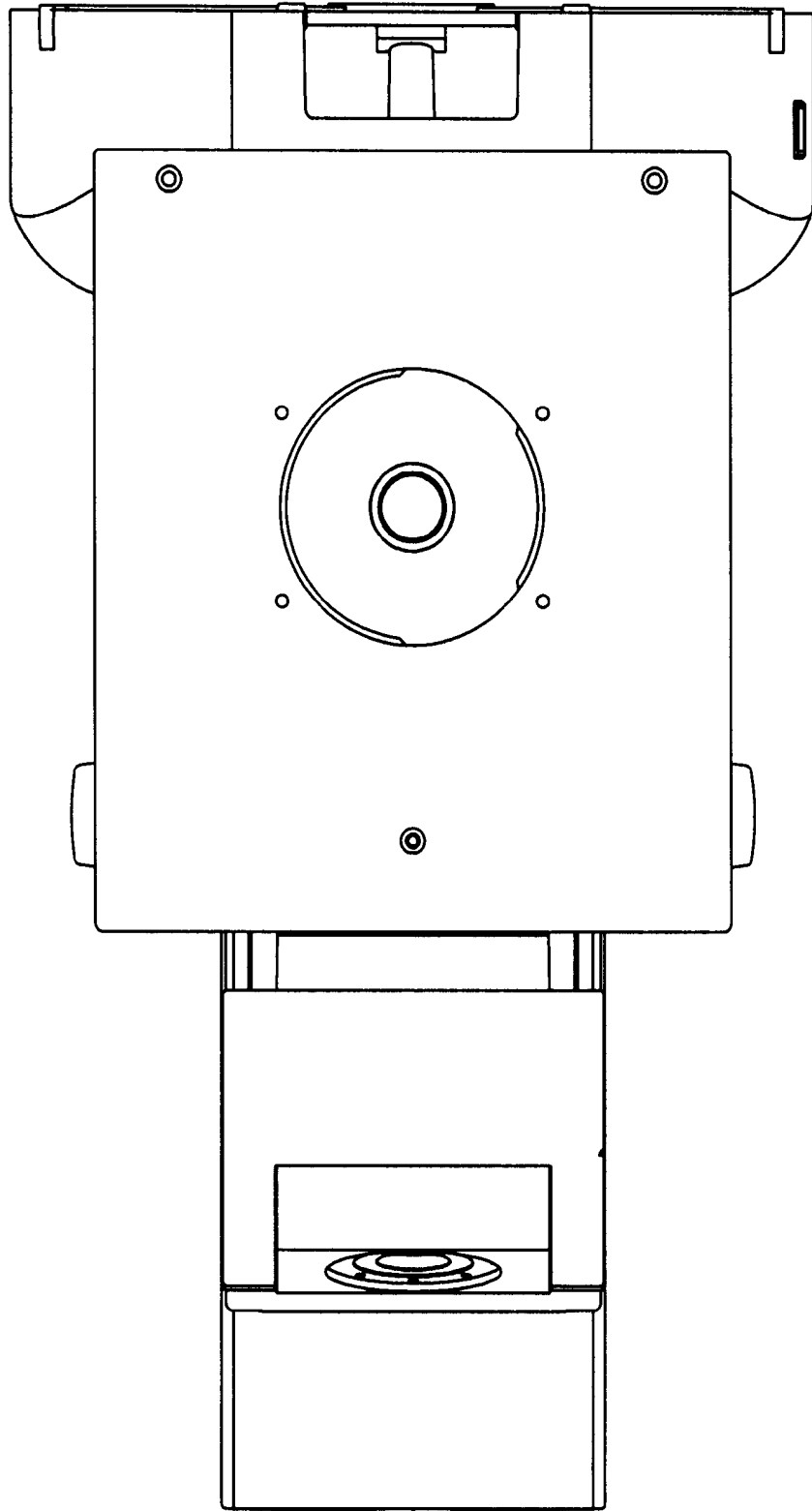


FIGURE 4



**FIGURE 5**

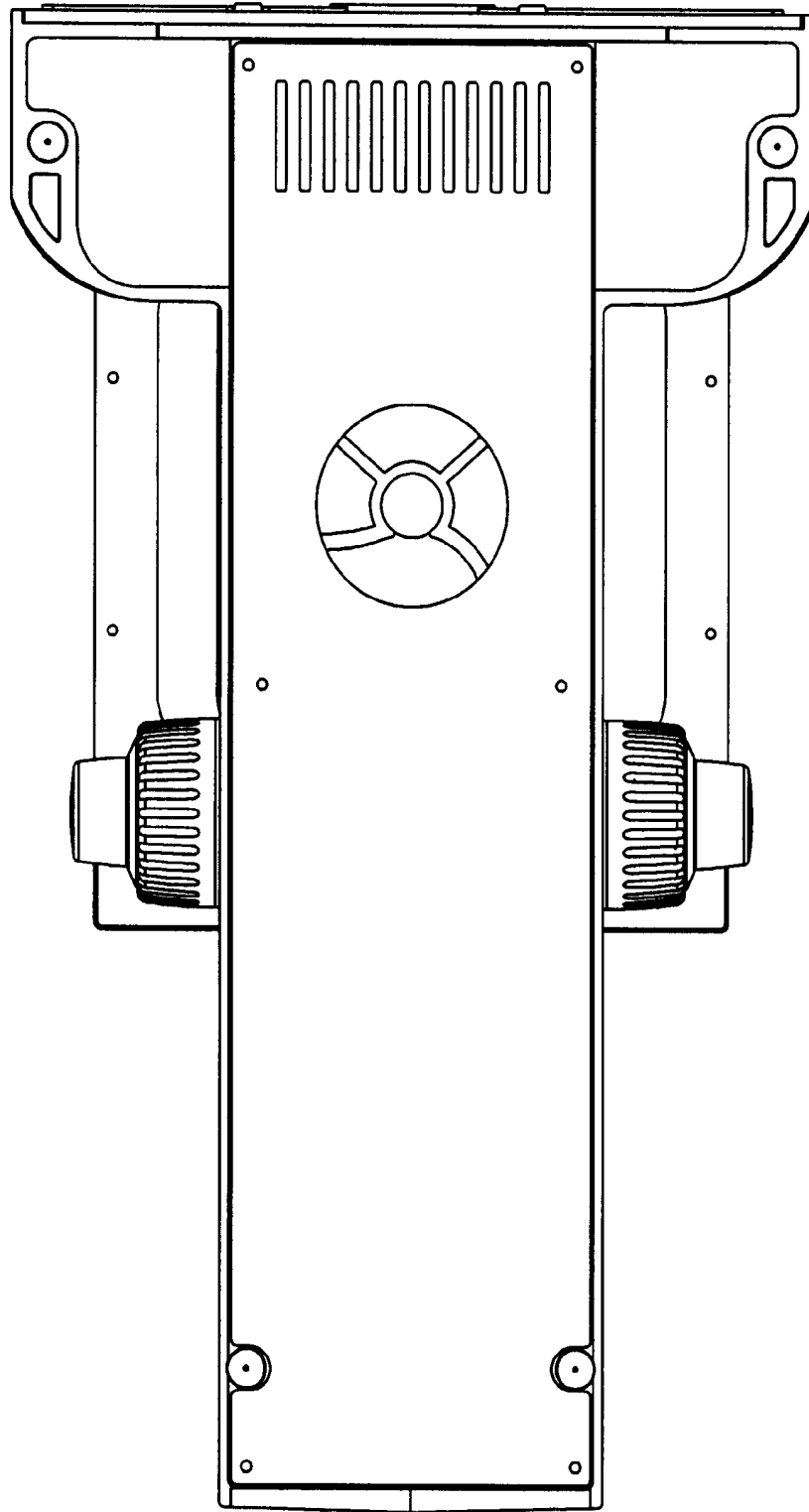
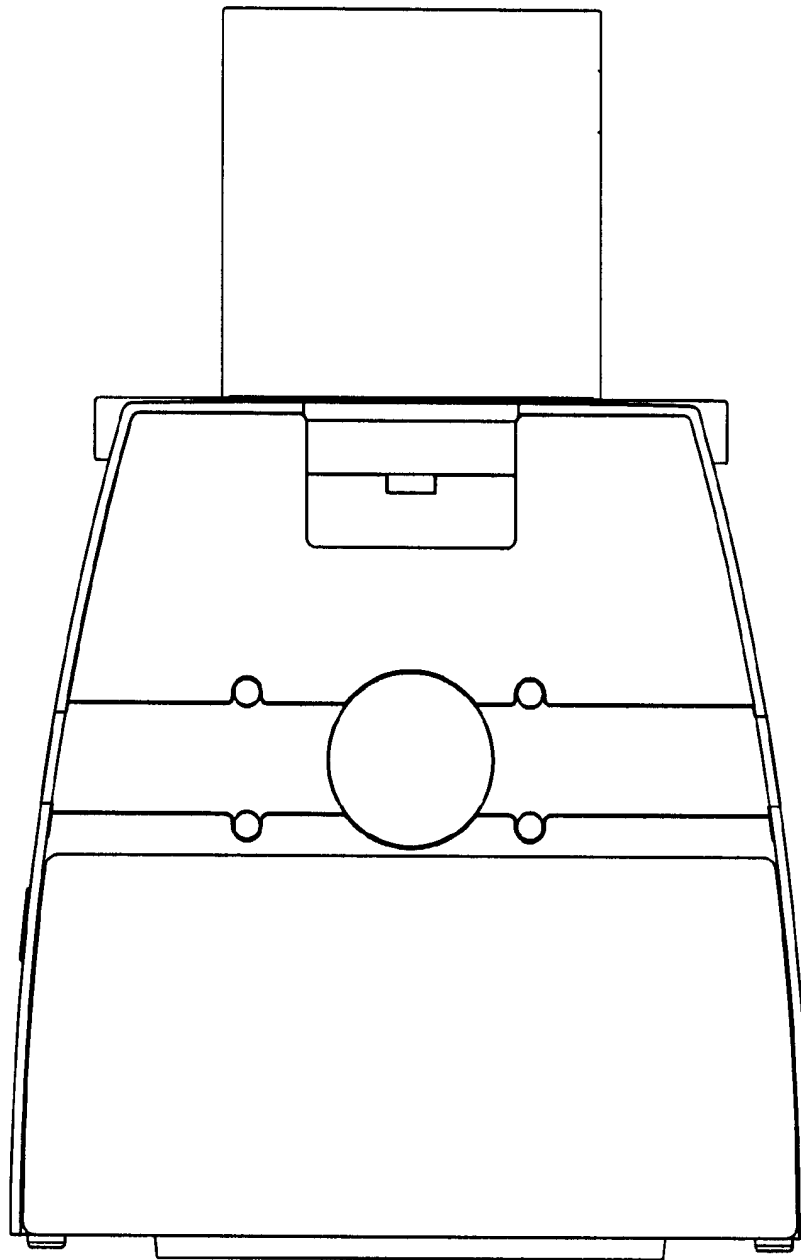


FIGURE 6



**FIGURE 7**