



US00D520523S

(12) **United States Design Patent** (10) **Patent No.:** **US D520,523 S**  
**Bonfardeci et al.** (45) **Date of Patent:** **\*\* May 9, 2006**

(54) **PORTABLE DEVICE FOR TRANSFERRING FLUIDS**

(75) Inventors: **Anthony J. Bonfardeci**, Clinton, NY (US); **Paul Puleo**, Frankfort, NY (US)

(73) Assignee: **Motor Components LLC**, Elmira Heights, NY (US)

(\*\*) Term: **14 Years**

(21) Appl. No.: **29/226,408**

(22) Filed: **Mar. 29, 2005**

(51) **LOC (8) Cl.** ..... **15-02**

(52) **U.S. Cl.** ..... **D15/9.1**

(58) **Field of Classification Search** ..... D15/7, D15/9.1; D23/223, 227; 141/39, 392, 208, 141/209; 417/33, 234, 411; 222/505, 566

See application file for complete search history.

(56) **References Cited**

**U.S. PATENT DOCUMENTS**

1,711,193 A	4/1929	Wunderlich	
2,635,550 A	4/1953	Granberg	
2,800,931 A *	7/1957	Sutcliffe	141/392
2,837,240 A *	6/1958	Boone	222/43
3,015,281 A	1/1962	Umholtz	
3,282,380 A	11/1966	Burrell et al.	
3,653,413 A	4/1972	Sheyn	
4,004,862 A	1/1977	Hill	
D248,396 S *	7/1978	Sendak	D15/7
4,174,743 A	11/1979	Beny et al.	
D263,618 S *	3/1982	Taylor	D23/226
4,354,574 A	10/1982	Kieber	
4,456,149 A	6/1984	Sciortino	
4,872,816 A	10/1989	Fetcko	
5,044,469 A	9/1991	Liu	

5,230,374 A	7/1993	Dawson et al.	
5,252,033 A *	10/1993	Lin	417/234
5,370,160 A	12/1994	Parker	
5,395,216 A *	3/1995	Lin	417/234
5,435,413 A	7/1995	Schoenborn	
5,620,032 A *	4/1997	Dame	141/311 A
5,901,880 A	5/1999	Clarke	
D420,364 S *	2/2000	Fischer et al.	D15/9.1
6,132,178 A *	10/2000	Carter	417/234
2002/0023691 A1	2/2002	Capstran	

\* cited by examiner

*Primary Examiner*—Ralf Seifert

(74) *Attorney, Agent, or Firm*—Simpson & Simpson, PLLC

(57) **CLAIM**

The ornamental design for a portable device for transferring fluids, as described and shown in the various figures of the drawings.

**DESCRIPTION**

FIG. 1 is a perspective view of a housing of the present invention;

FIG. 2 is a left side elevational view of the housing of the present invention shown in FIG. 1;

FIG. 3 is a right side elevational view of the housing of the present invention shown in FIG. 1;

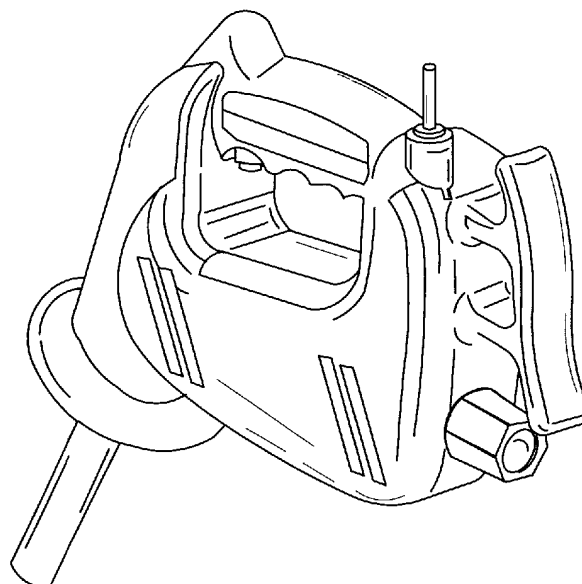
FIG. 4 is a front elevational view of the housing of the present invention shown in FIG. 1;

FIG. 5 is a bottom plan view of the housing of the present invention shown in FIG. 1;

FIG. 6 is an end elevational view of the housing of the present invention shown in FIG. 1; and,

FIG. 7 is a top plan view of the housing of the present invention shown in FIG. 1.

**1 Claim, 7 Drawing Sheets**



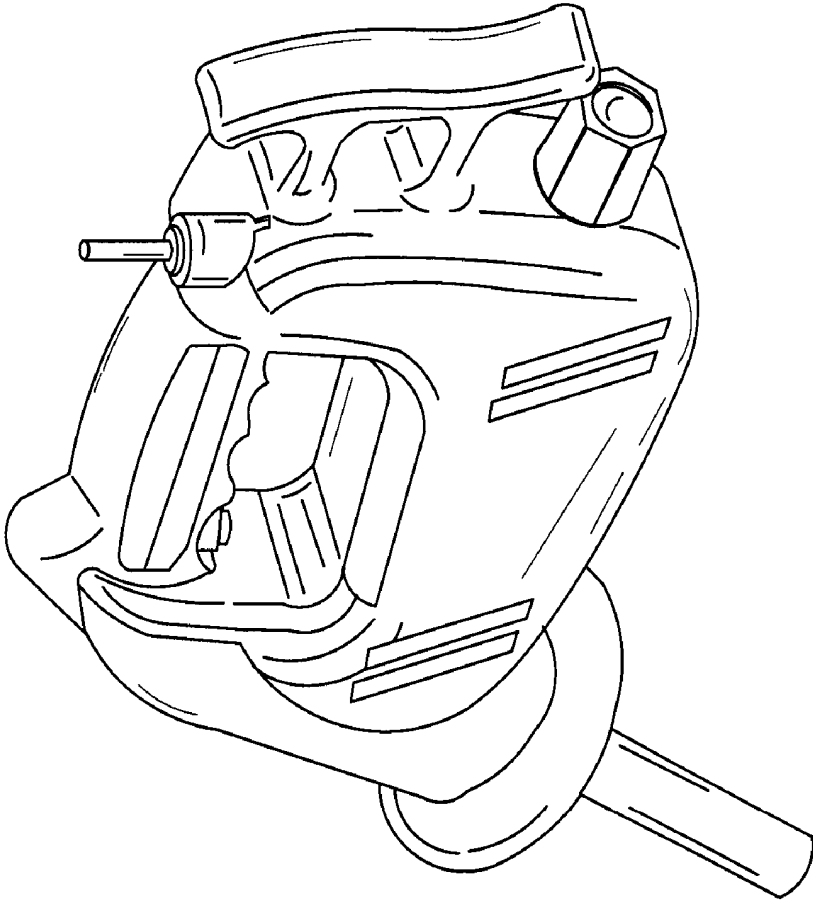


Fig. 1

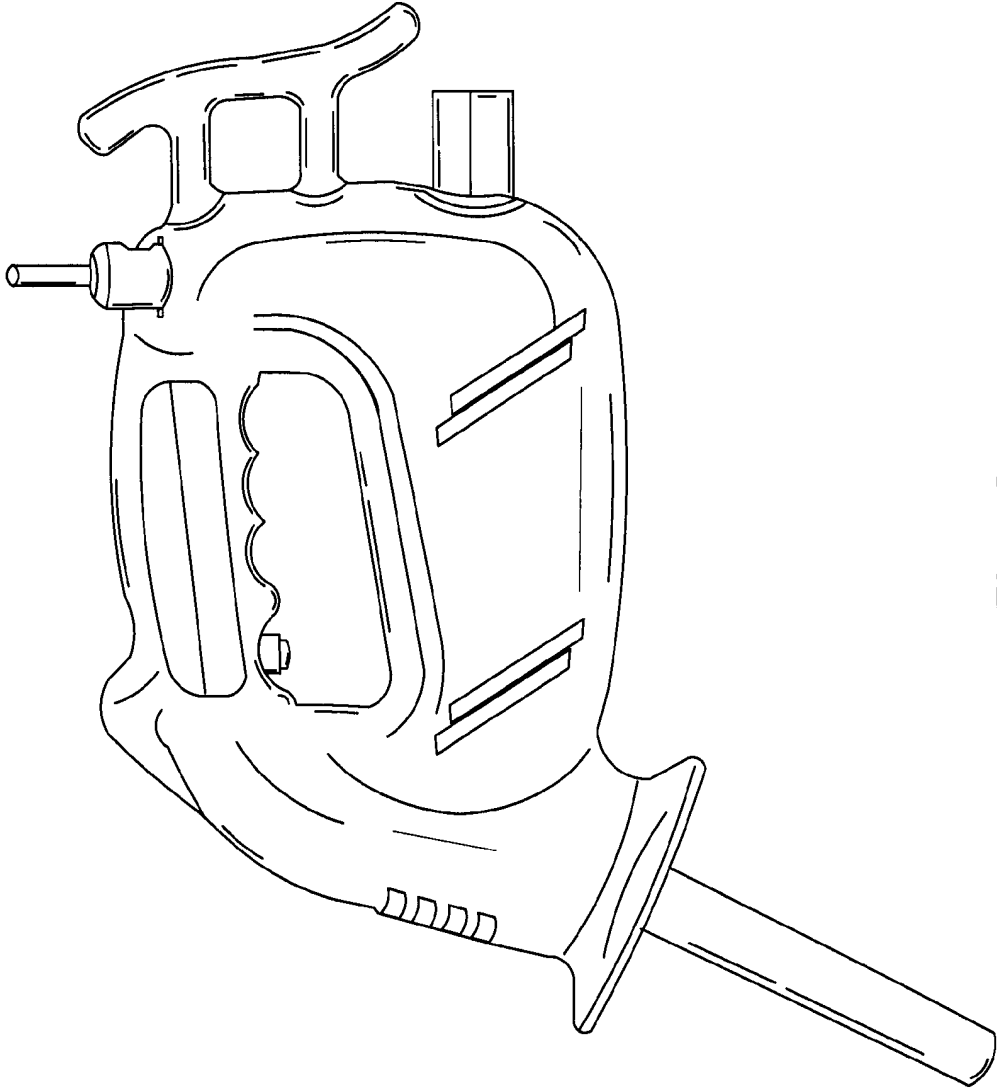


Fig. 2

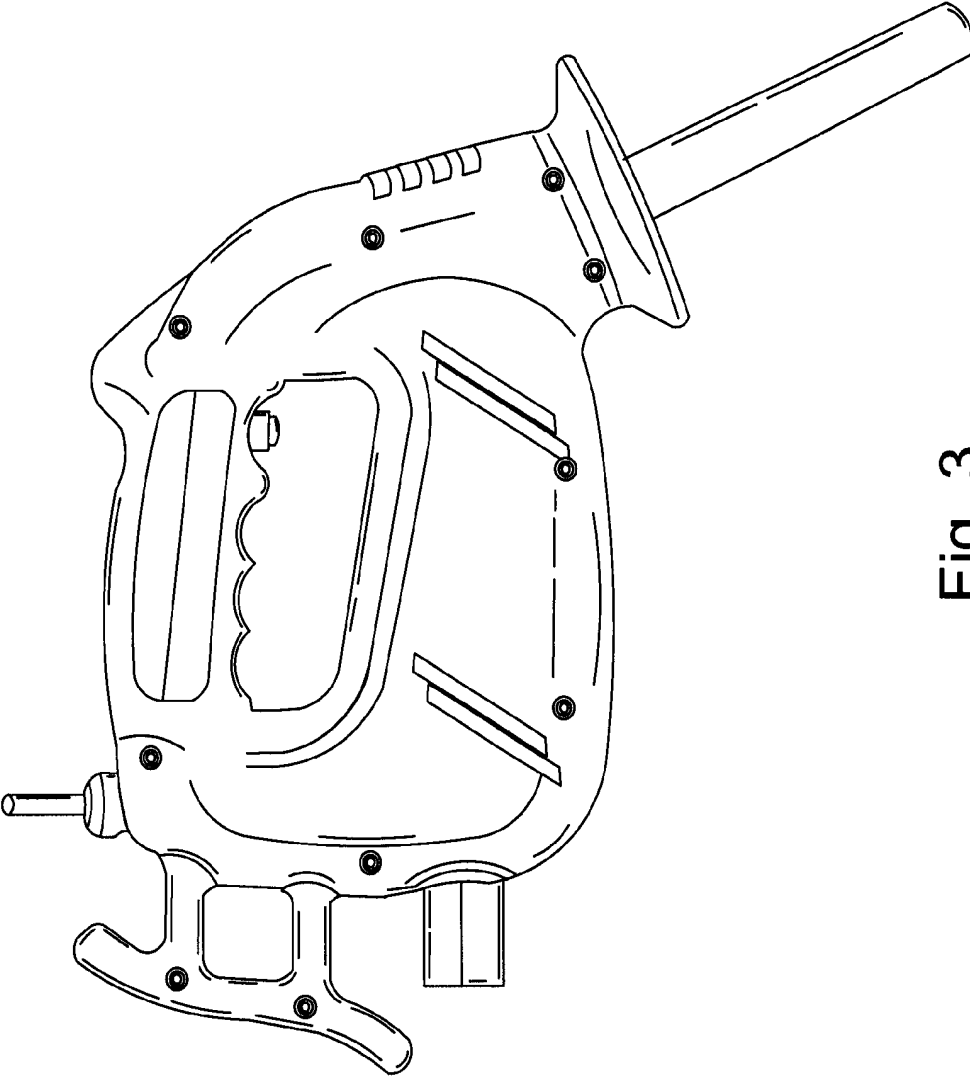


Fig. 3

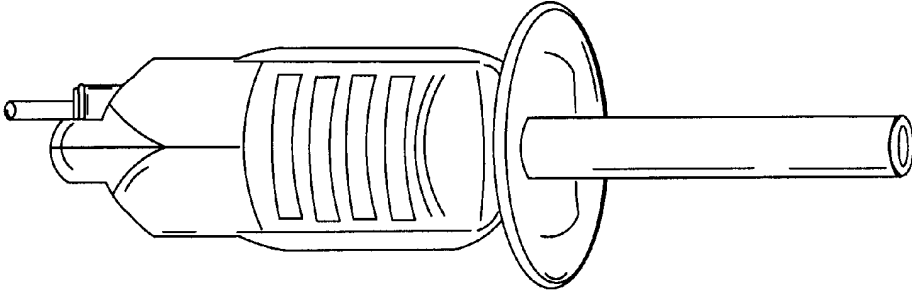


Fig. 4

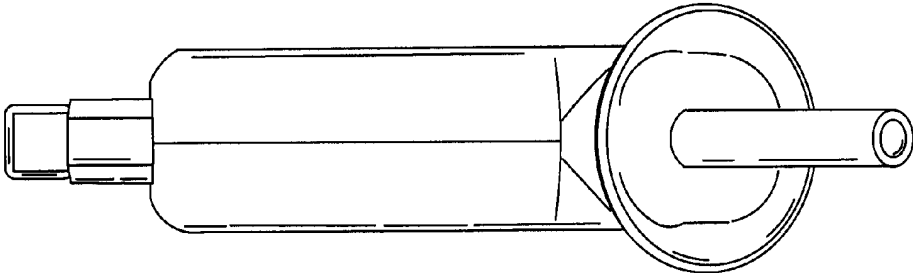


Fig. 5

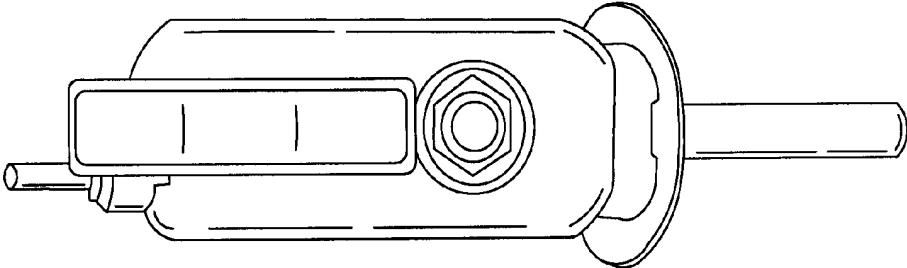


Fig. 6

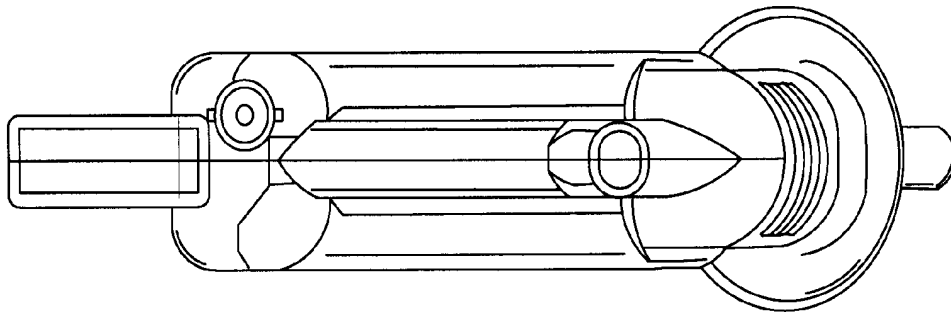


Fig. 7