



US00D540835S

(12) **United States Design Patent** (10) **Patent No.:** **US D540,835 S**  
**Apothéloz** (45) **Date of Patent:** **\*\* Apr. 17, 2007**

(54) **BASE FOR MICROSCOPE**  
(75) Inventor: **Christophe Apothéloz**, Zurich (CH)  
(73) Assignee: **Leica Microsystems (Schweiz) AG**,  
Heerbrugg (CH)  
(\*\*) Term: **14 Years**

D346,816 S \* 5/1994 Kline et al. .... D16/131  
D444,159 S \* 6/2001 Hoelbl et al. .... D16/131  
D494,199 S \* 8/2004 Gingerella .... D16/131  
D498,247 S \* 11/2004 Suzuki et al. .... D16/131

\* cited by examiner

*Primary Examiner*—Paula A. Greene

(74) *Attorney, Agent, or Firm*—Simpson & Simpson, PLLC

(21) Appl. No.: **29/254,122**  
(22) Filed: **Feb. 17, 2006**

(57) **CLAIM**

The ornamental design for a base for microscope, as shown and described.

(30) **Foreign Application Priority Data**

Aug. 18, 2005 (EM) ..... 000388822

(51) **LOC (8) Cl.** ..... **16-06**

(52) **U.S. Cl.** ..... **D16/131**

(58) **Field of Classification Search** ..... D16/130,  
D16/131, 134; 248/118, 918; 359/376, 368,  
359/389, 462, 393, 377, 378, 375, 387  
See application file for complete search history.

**DESCRIPTION**

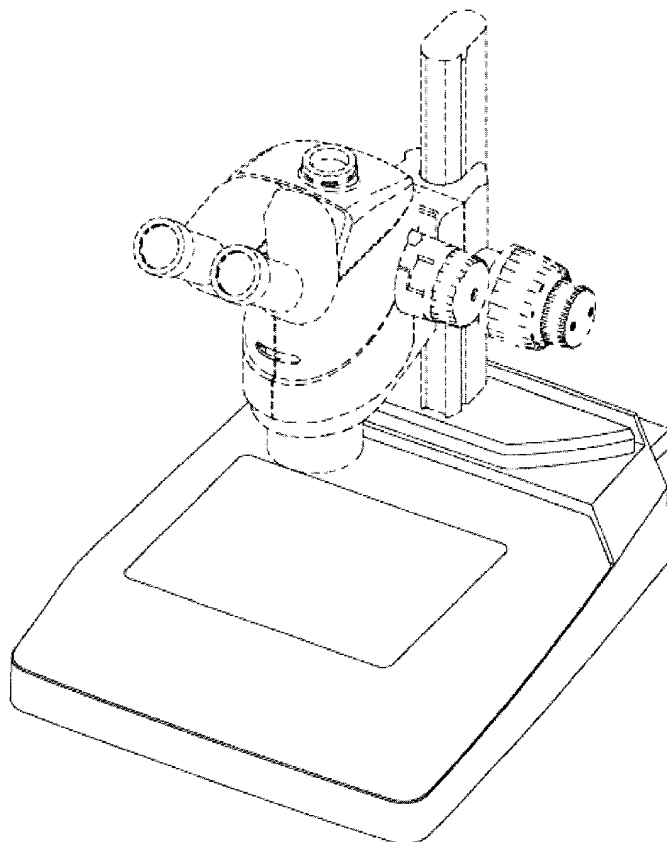
FIG. 1 is a perspective view of the base for microscope of the present invention shown with a microscope;  
FIG. 2 is a perspective view of the base for microscope of the present invention;  
FIG. 3 is a top plan view of the base for microscope;  
FIG. 4 is a bottom plan view of the base for microscope;  
FIG. 5 is a front plan view of the base for microscope;  
FIG. 6 is a rear plan view of the base for microscope;  
FIG. 7 is a left side view of the base for microscope; and,  
FIG. 8 is a right side view of the base for microscope.  
The broken line showing of a microscope affixed to the base for microscope of the present invention in FIG. 1 is for illustrative purposes only and forms no part of the claimed design.

(56) **References Cited**

**U.S. PATENT DOCUMENTS**

D252,276 S \* 7/1979 Griffith ..... D16/131  
D291,702 S \* 9/1987 Kahute ..... D16/131  
4,824,229 A \* 4/1989 Narita et al. .... 359/393  
4,863,252 A \* 9/1989 McCarthy et al. .... 359/376  
D345,748 S \* 4/1994 Holbl ..... D16/131

**1 Claim, 6 Drawing Sheets**



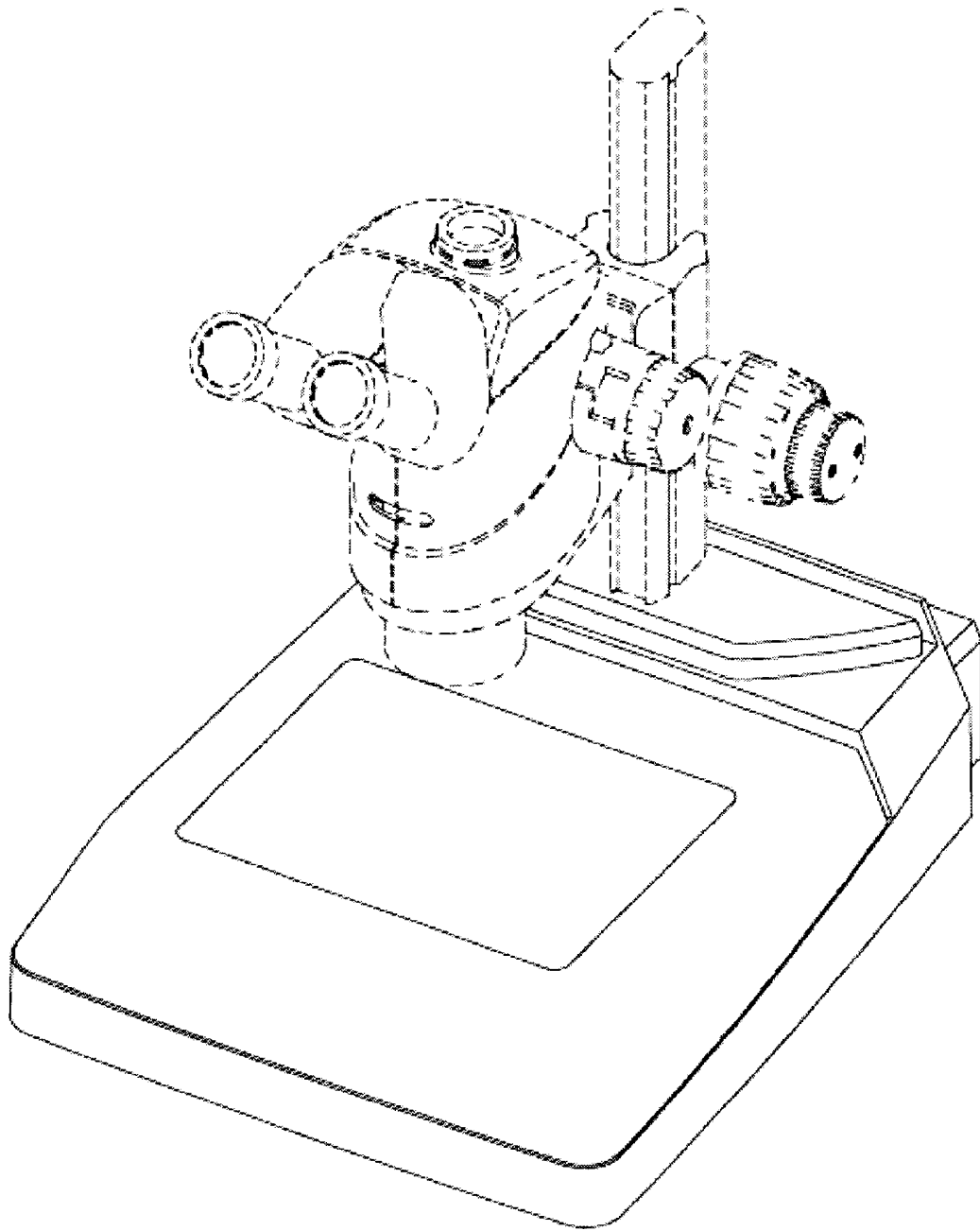


Fig. 1

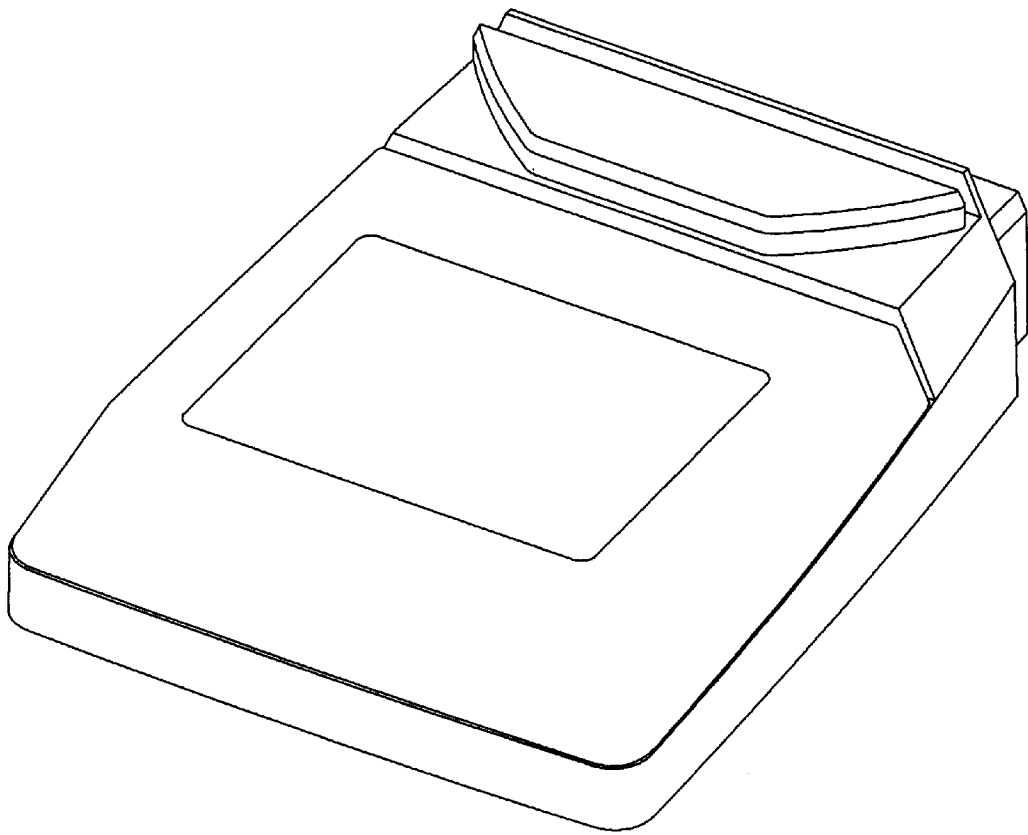


Fig. 2

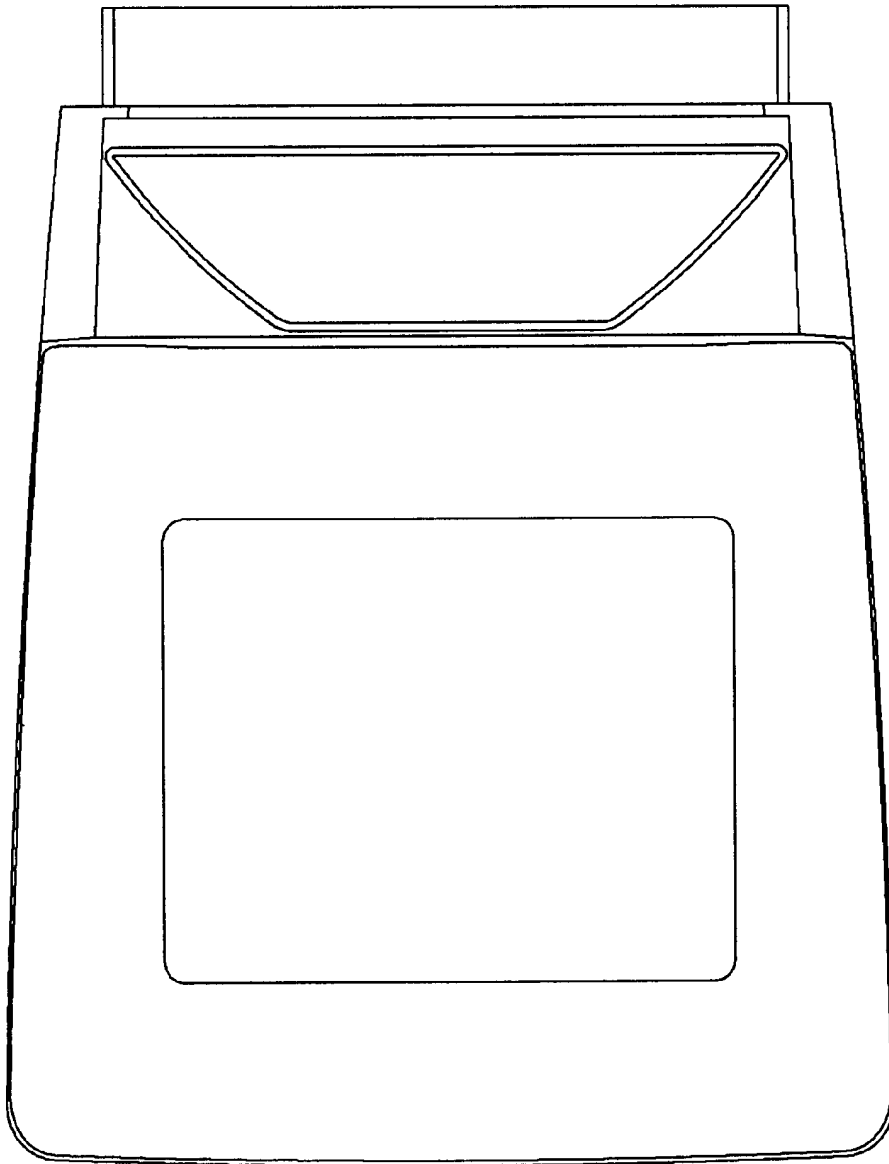


Fig. 3

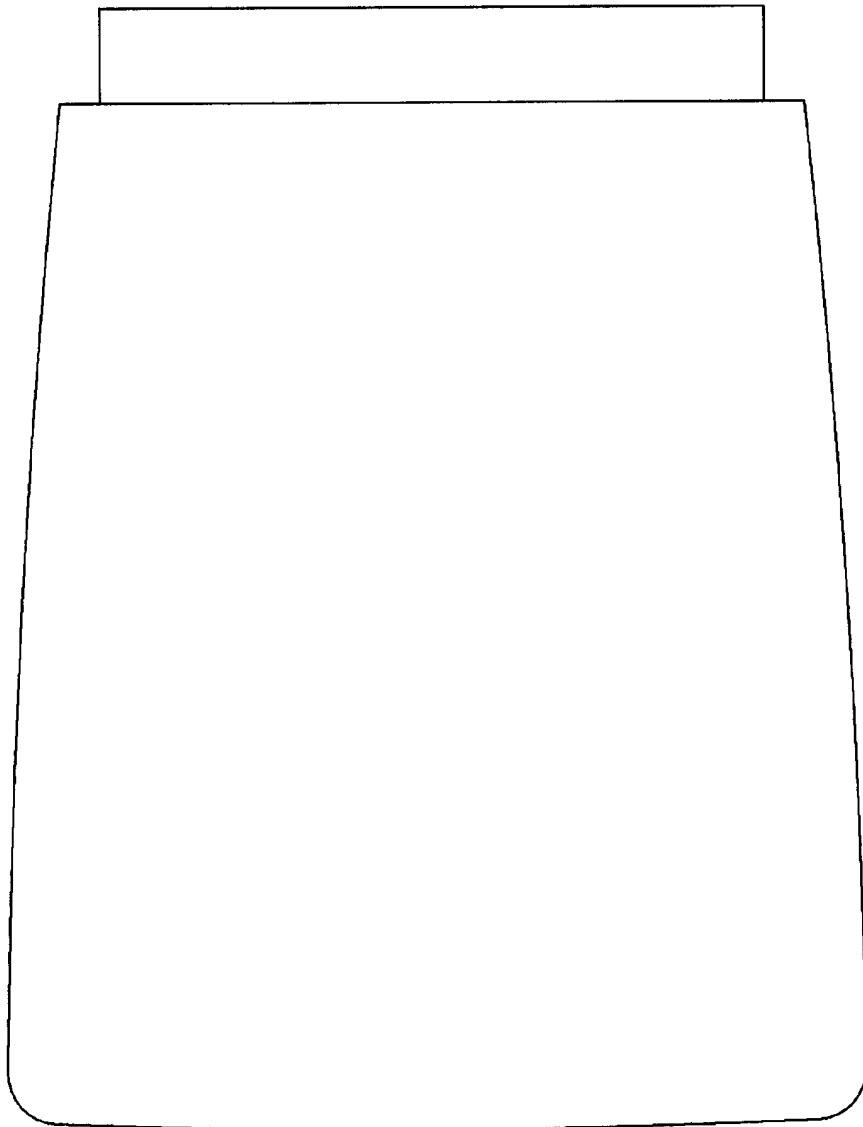


Fig. 4

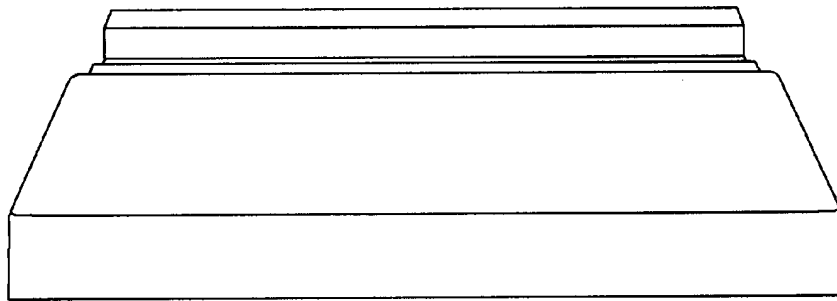


Fig. 5

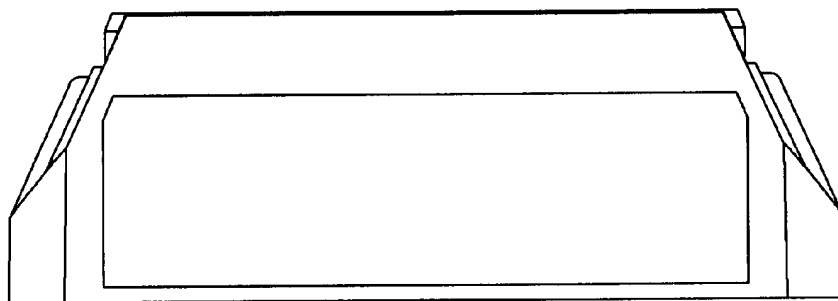


Fig. 6

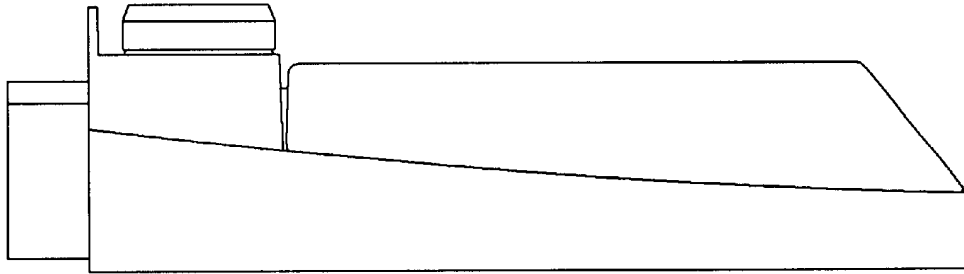


Fig. 7

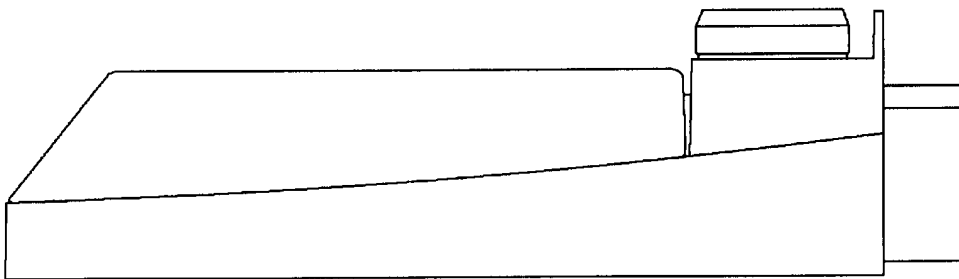


Fig. 8