



US00D546355S

(12) **United States Design Patent** (10) **Patent No.:** **US D546,355 S**  
**Apothéloz** (45) **Date of Patent:** **\*\* Jul. 10, 2007**

(54) **MICROSCOPE**

(75) Inventor: **Christophe Apothéloz**, Zurich (CH)

(73) Assignee: **Leica Microsystems (Schweiz) AG**,  
Heerbrugg (CH)

(\*\*) Term: **14 Years**

(21) Appl. No.: **29/259,736**

(22) Filed: **May 15, 2006**

(30) **Foreign Application Priority Data**

Nov. 22, 2005 (EM) ..... 000434956-0001

(51) **LOC (8) Cl.** ..... **16-06**

(52) **U.S. Cl.** ..... **D16/131**

(58) **Field of Classification Search** ..... D16/130,  
D16/131, 134; 359/375, 376, 377, 378, 379,  
359/381, 382, 383, 385, 368, 388, 390, 392,  
359/393, 801; D21/483; 396/326  
See application file for complete search history.

(56) **References Cited**

**U.S. PATENT DOCUMENTS**

2,967,456	A *	1/1961	Maier	.....	396/326
3,260,157	A *	7/1966	Boughton	.....	359/379
4,168,881	A *	9/1979	Rosenberger	.....	359/381
D273,592	S *	4/1984	Armbruster	.....	D16/131

D355,430	S *	2/1995	Hofmann-Igl	.....	D16/131
D423,029	S *	4/2000	Kawahata	.....	D16/131
D439,258	S *	3/2001	Kawahata	.....	D16/131
D440,996	S *	4/2001	Takanashi	.....	D16/131

\* cited by examiner

*Primary Examiner*—Paula A. Greene

(74) *Attorney, Agent, or Firm*—Simpson & Simpson, PLLC

(57) **CLAIM**

The ornamental design for a microscope, as shown and described.

**DESCRIPTION**

FIG. 1 is a perspective view of a microscope of the present invention;

FIG. 2 is a right side elevational view of the microscope of FIG. 1;

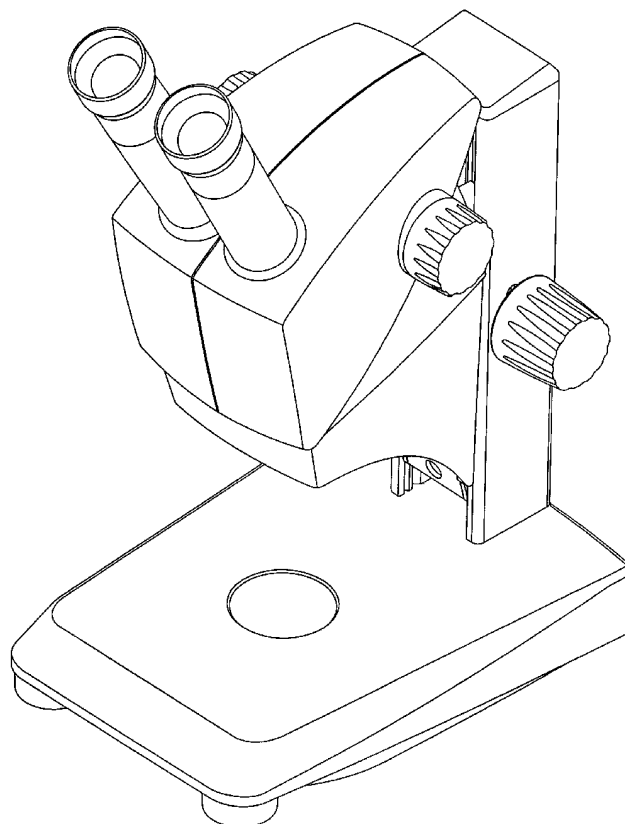
FIG. 3 is a left side elevational view of the microscope of FIG. 1;

FIG. 4 is a front plan elevational view of the microscope of FIG. 1;

FIG. 5 is a rear plan elevational view of the microscope of FIG. 1;

FIG. 6 is a top plan view of the microscope of FIG. 1; and, FIG. 7 is a bottom plan view of the microscope of FIG. 1.

**1 Claim, 7 Drawing Sheets**



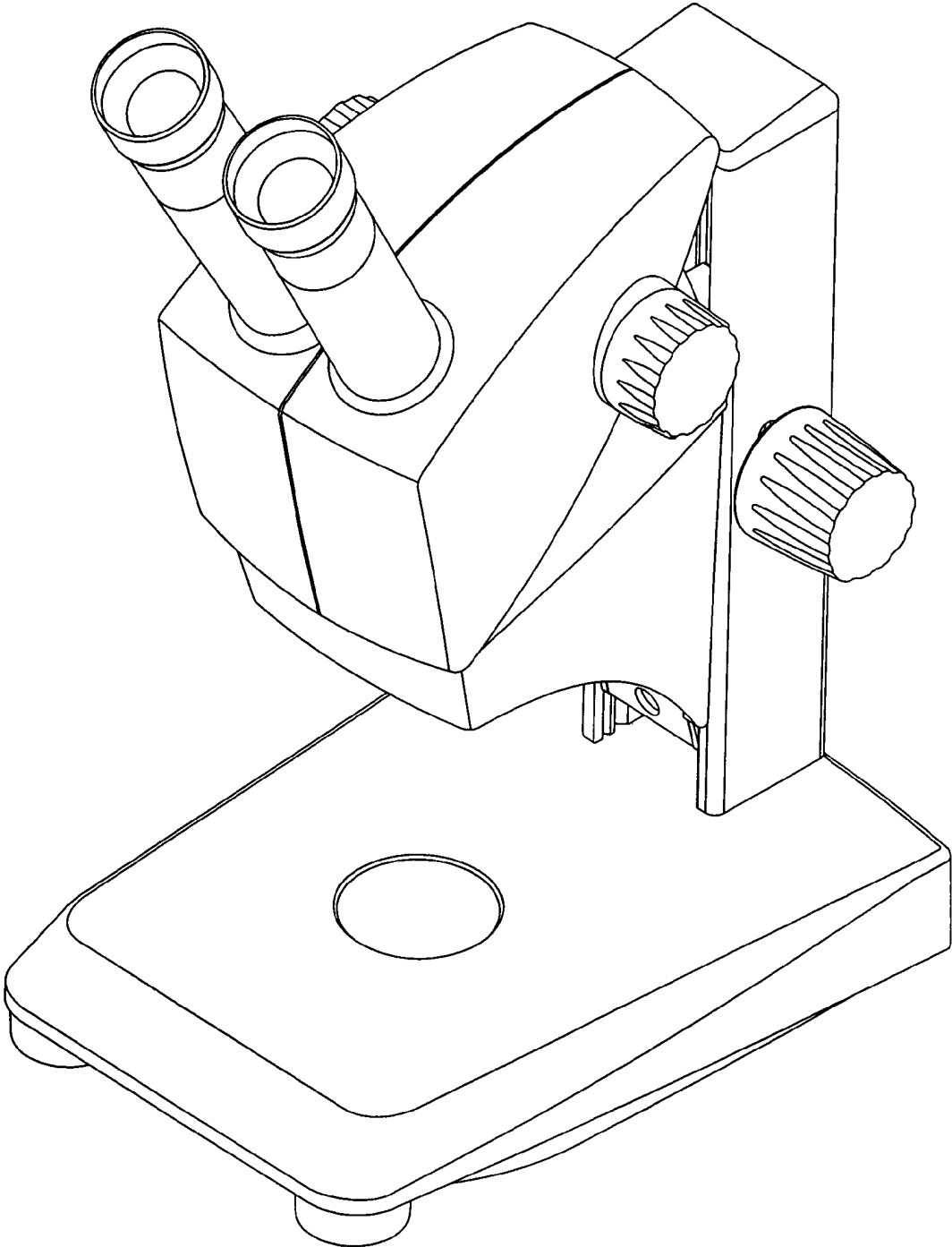


Fig. 1

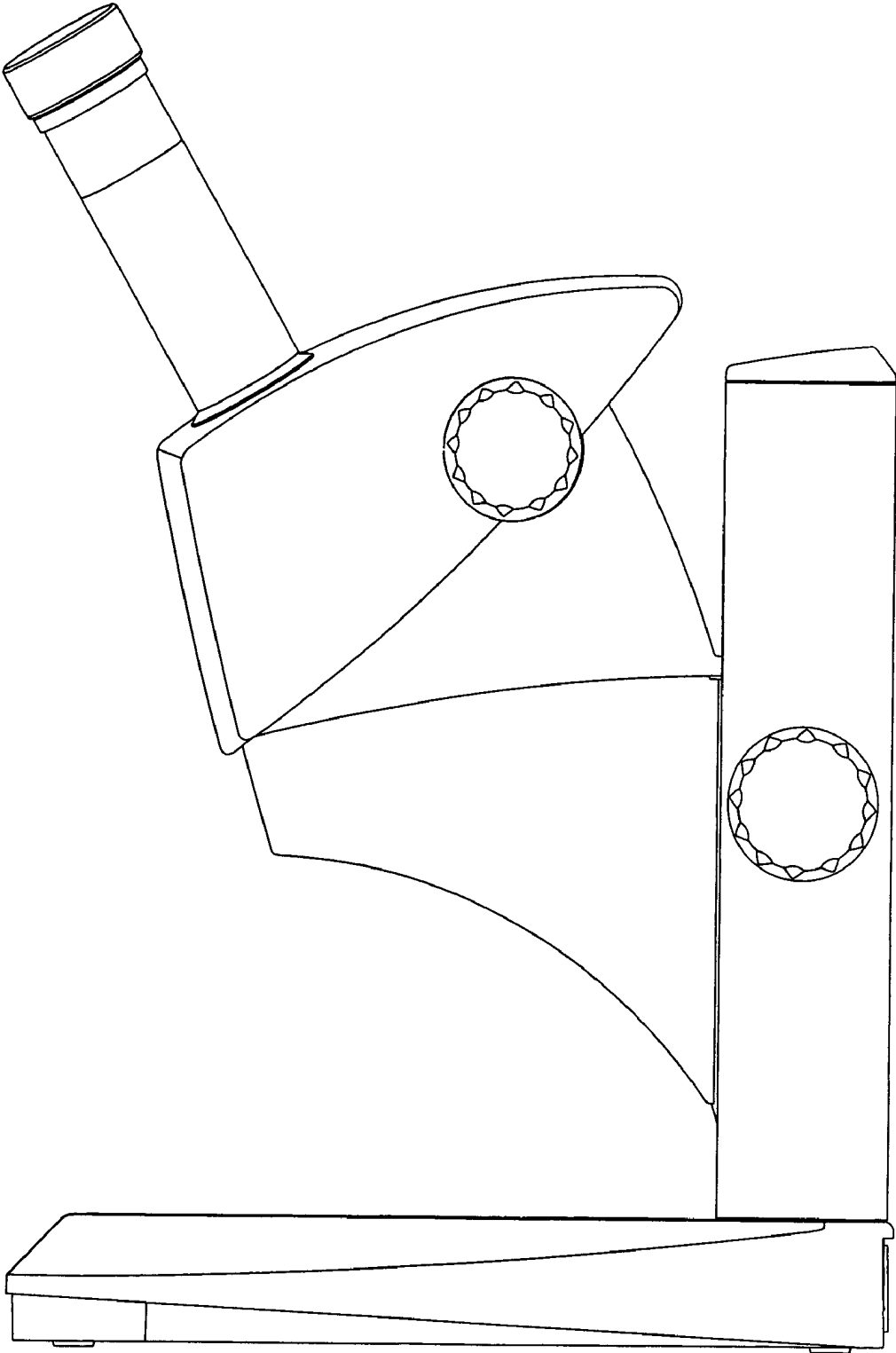


Fig. 2

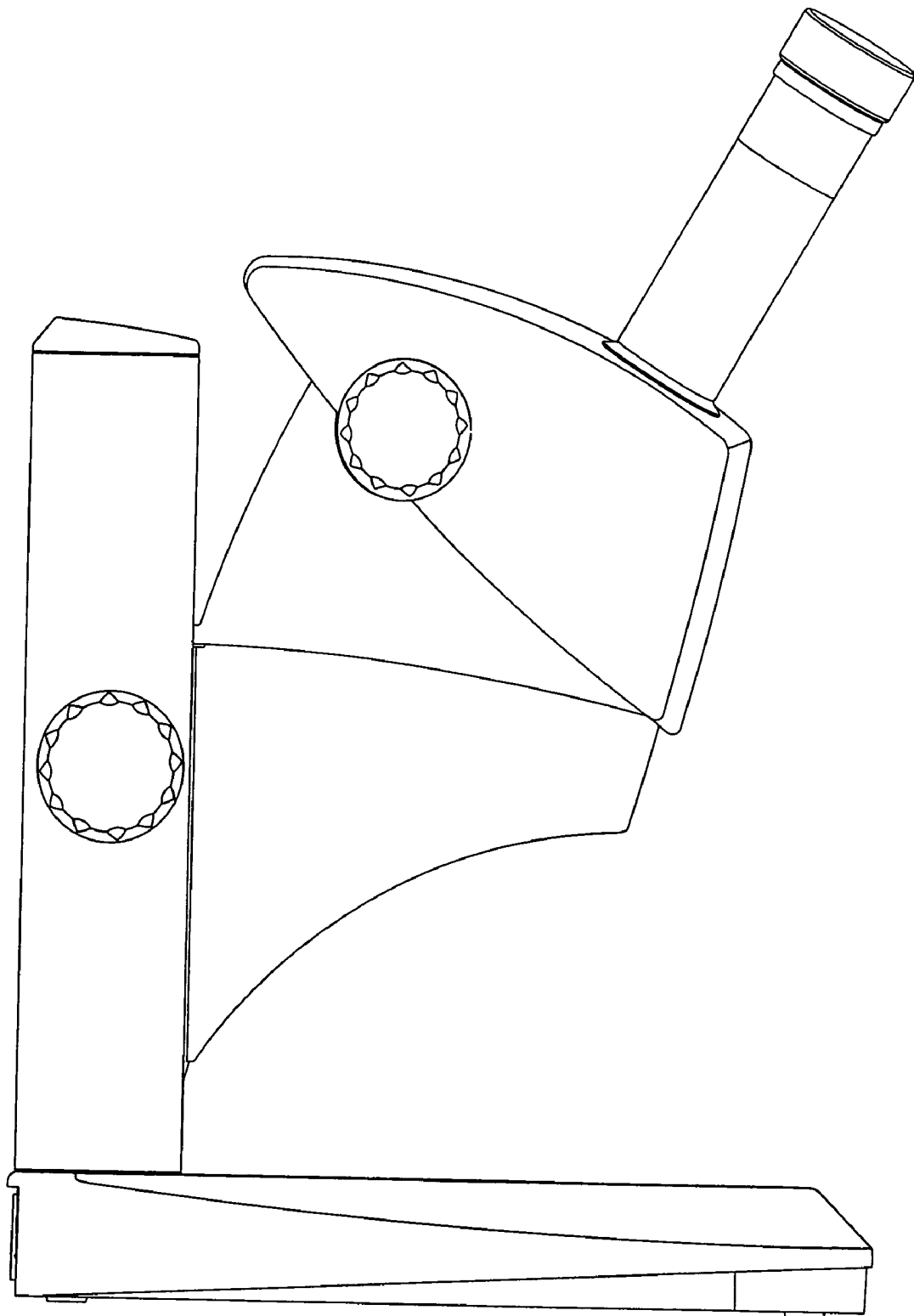


Fig. 3

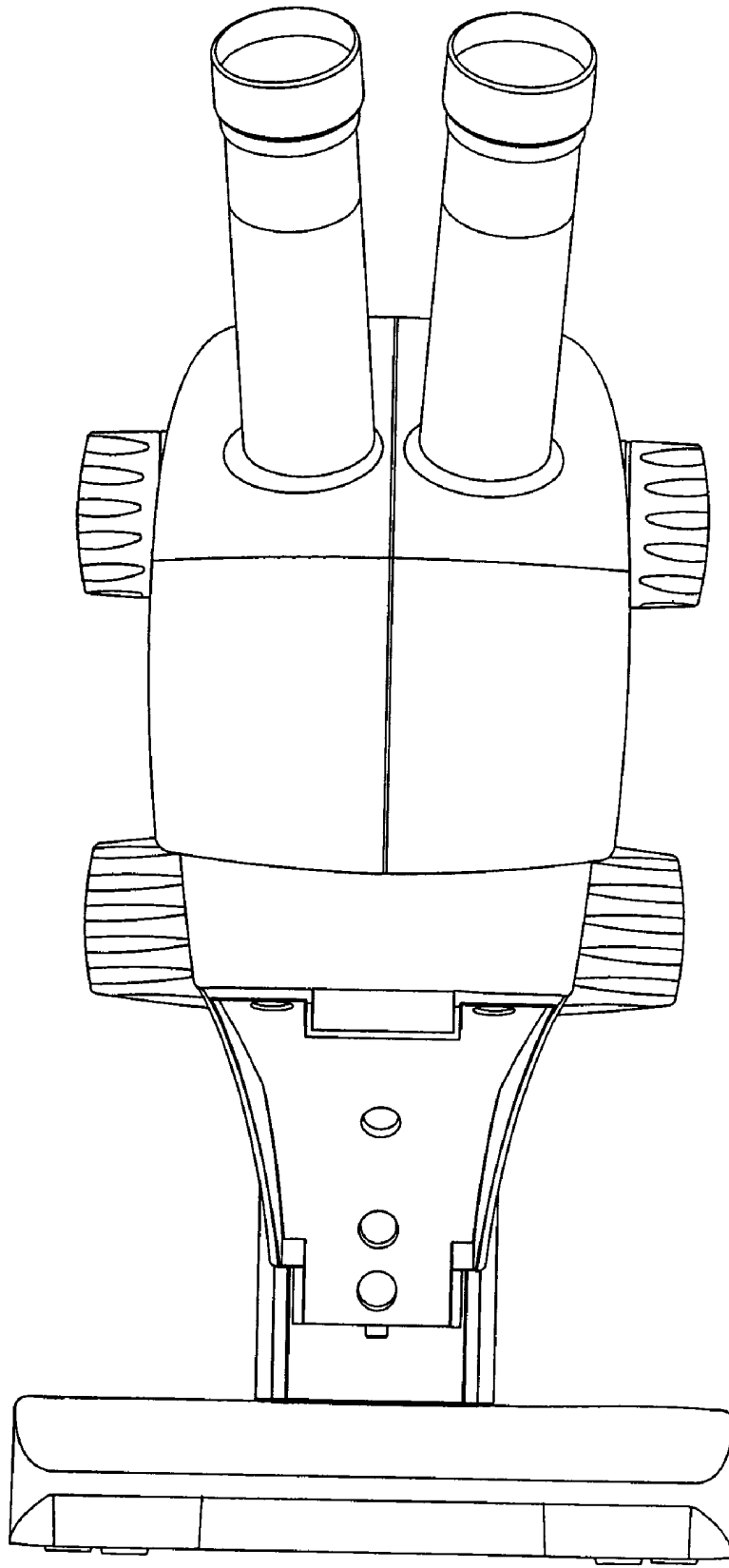


Fig. 4

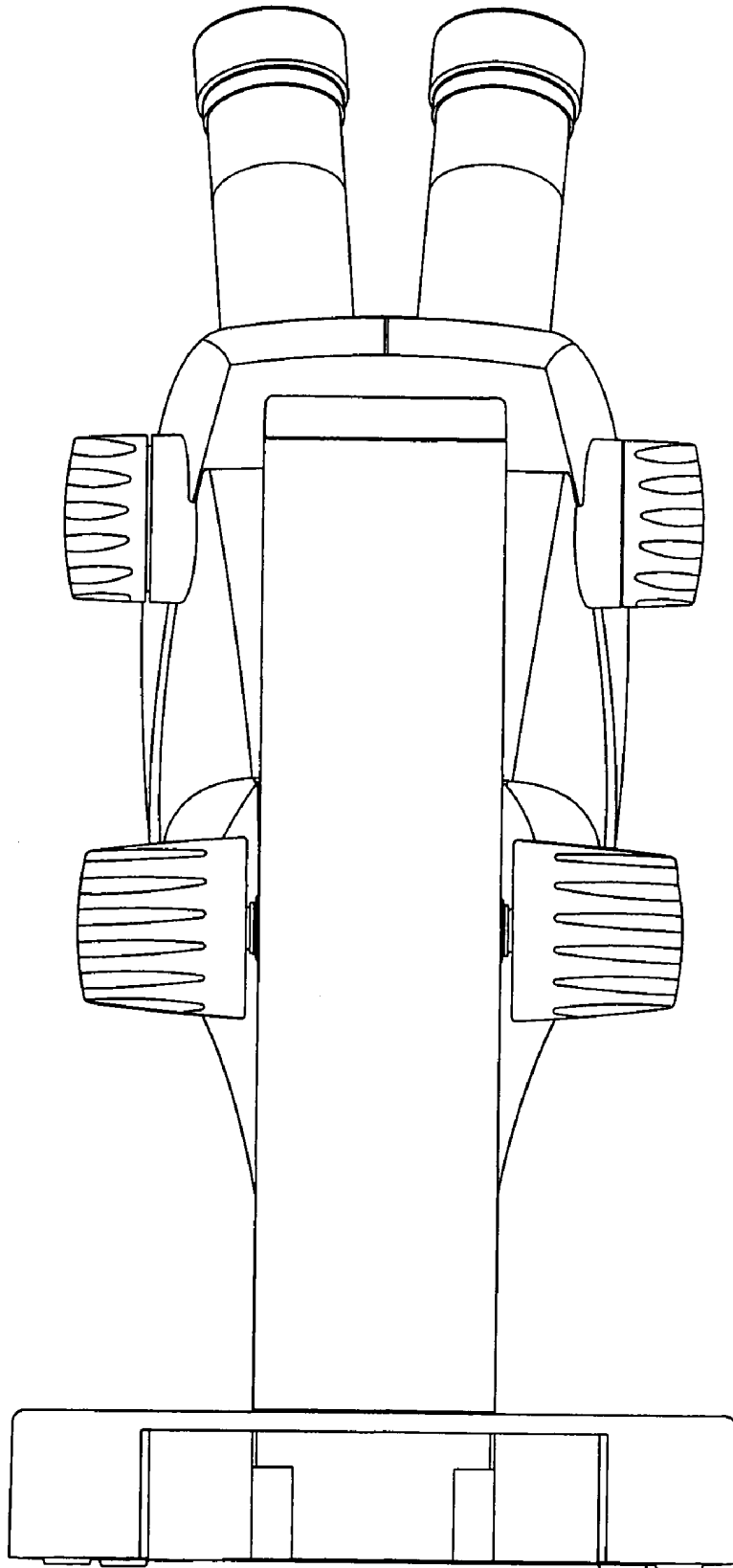


Fig. 5

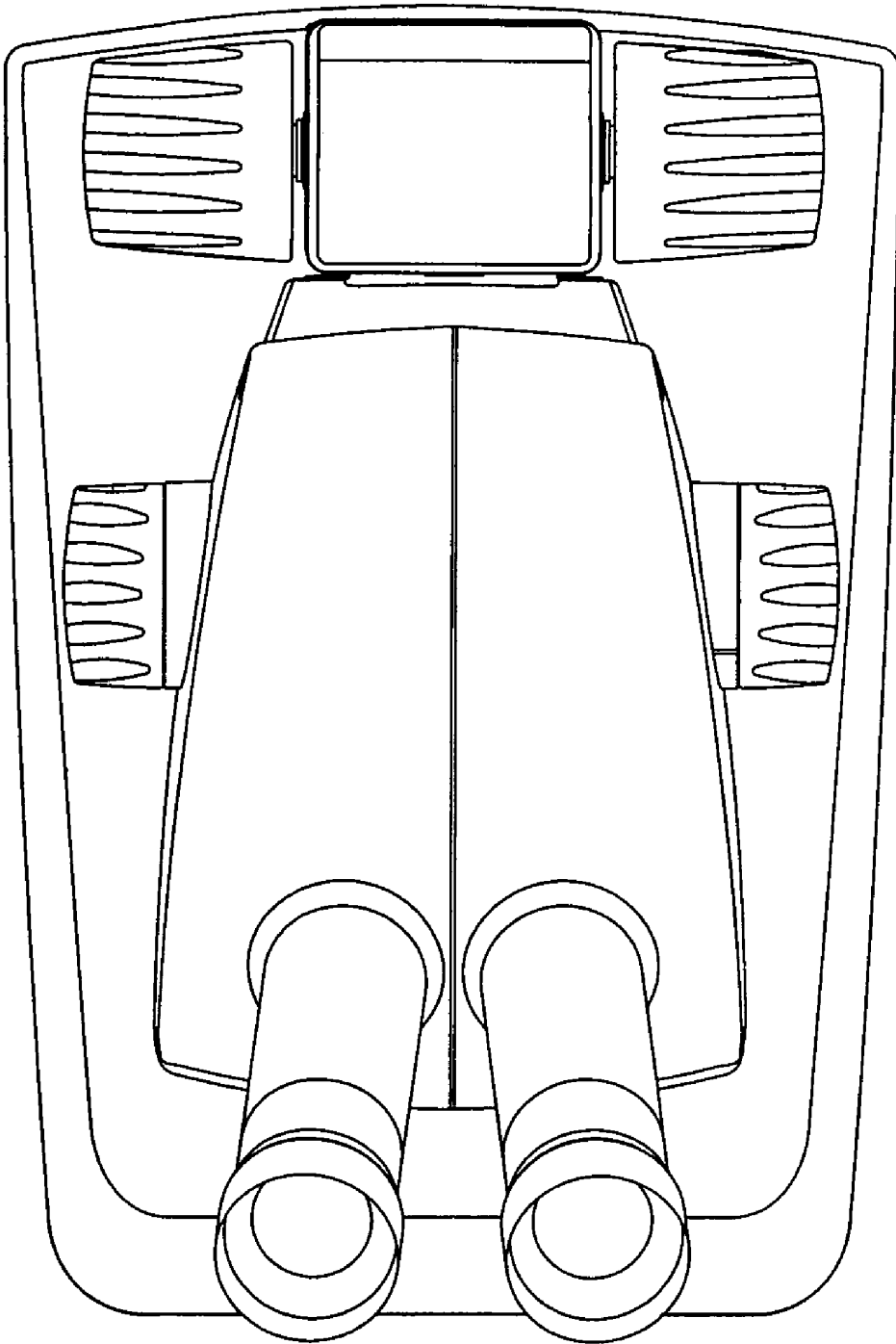


Fig. 6

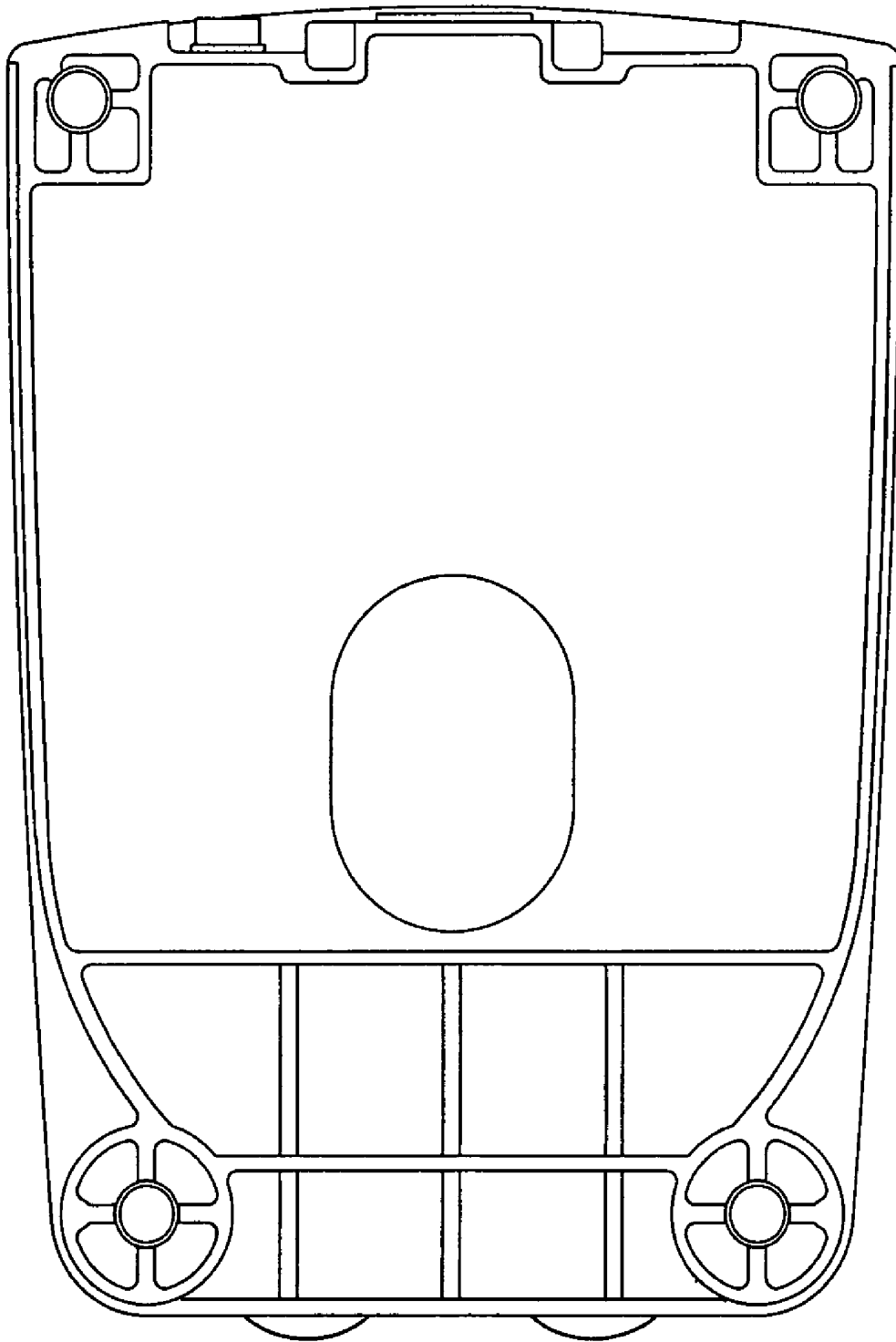


Fig. 7